

HYUNDAI
POWER PRODUCTS

INVERTER GENERATOR HY6250SEi

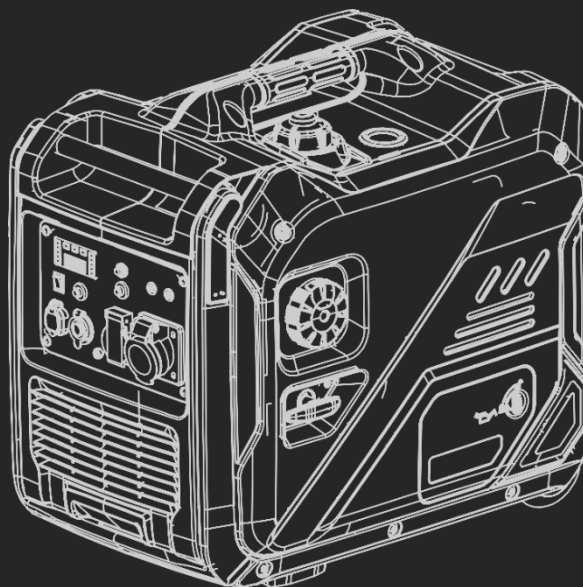
Instruction Manual



Scan for website &
alternative languages



GENUINE PRODUCT OF
HYUNDAI CORPORATION



WARNING: Read the instructions carefully before use.

Iss:Mar/26

Contents

Introduction.....	3	Specifications.....	37
Safety Information.....	4-14	Recycling And Disposal.....	38
Understand Your Machine.....	4	Declaration Of Conformity.....	39
Personal Safety.....	4-5	Useful Information.....	40
Inspect Your Machine.....	5	Our YouTube Channel.....	40
Fuel Safety.....	6-7	Warranty.....	40
Work Area.....	8	Manual Updates.....	40
During Use.....	9	Returning Your Product.....	40
Battery Safety.....	10	Leaving A Review.....	40
Electrical Safety.....	10-11	Ordering Spare Parts.....	40
Vibration, Noise & Residual Risks.....	12	Product Record.....	41
Intended Use.....	13	Contact Us.....	42
Personal Protective Equipment.....	14		
Symbols on the Machine.....	15-16		
Carbon Monoxide Warning.....	16		
Unboxing.....	17		
Features.....	18-19		
Pre-Operation Checks.....	20-23		
Oil Level.....	20		
Fuel Level.....	21		
Air Filter Checks.....	22		
Battery Connection.....	22		
Electrical Unloading.....	23		
Machine Grounding.....	23		
Operation.....	24-27		
Starting.....	24		
Stopping.....	25		
Connecting Appliances.....	26		
Generator Status Indicators.....	27		
Maintenance & Care.....	28-36		
General Maintenance.....	28		
Service Schedule.....	29		
Oil Maintenance.....	30		
Air Filter Maintenance.....	31		
Spark Plug Maintenance.....	32		
Spark Arrestor Maintenance.....	33		
Transportation and Storage.....	34		
Machine Troubleshooting.....	35-36		
Troubleshooting.....	35		
HY6250SEi Wiring Diagram.....	36		

Introduction

Thank You For Purchasing Your HYUNDAI Product

We work very hard to give all of our customers the best possible service. If you have any problems, before leaving negative feedback, please contact us to give us a chance to resolve the issue. We would be delighted if you left us positive feedback! Thank you for purchasing this product.

Important!



WARNING: READ THE INSTRUCTION BOOKLET THOROUGHLY BEFORE USING THE MACHINE. Keep for future reference and pass it on if the machine is loaned or sold to another user.

This manual has been produced by Hyundai Power Products and should be kept with the product. Please read and understand these instructions before you use your product. Failure to do this may result in personal injury or damage to the product.

The safety precautions and warnings are to ensure your safety and protect you from harm or damage to the product.

The information contained in this manual was accurate at the time of production, however HYUNDAI Power Products may make modifications to the product without notification.

These are the original product instructions. This document is part of the product; retain it for the life of the product, passing it on to subsequent holders. Read this manual in full before attempting to assemble, operate or maintain this product.

This manual describes the purpose of the product and contains all the necessary information to ensure its correct and safe use. Following all the instructions and guidance in this manual will ensure the safety of both the product and the operator and increase the lifespan of the product.

All photographs and drawings within this manual are to help illustrate correct operation of the product. Every effort has been made to ensure the information contained in this manual is accurate. However, we reserve the right to amend this document without prior warning. Always use the latest version of the product manual.

Safety Information

Understand Your Machine

- **WARNING!** You must read these instructions carefully before operating the machine. Make sure that you are familiar with the controls and properly operate the machine. You must learn how to stop the machine quickly. If you do not follow the warnings and instructions, it may result in fire and/or serious injury. Make sure to save all warnings and instructions for future reference.
- Read this manual and labels affixed to the machine to understand its limitations and potential hazards.
- Be thoroughly familiar with the controls and their proper operation. Know how to stop the machine and disengage the controls quickly.
- If the unit is to be used by someone other than original purchaser, or is to be loaned, rented, or sold, always provide this manual and any needed safety training before operation. The user can prevent and is responsible for accidents or injuries that may occur to themselves, to other people, or to property.
- Do not force the machine beyond its limits. Use the correct machine for your application.
- Know how to stop the machine quickly in case of emergency. Understand the use of all controls.
- ALL MAINTENANCE other than that listed in this manual, should be carried out by professionally trained and certified personnel.
- When using this machine for the first time and before actual work, you **MUST** learn how to handle the machine from an experienced or skilled person.

Personal Safety

- **WARNING!** Never allow children or people unfamiliar with these instructions to use the product. Local regulations can restrict the minimum age of the operator.
- Keep children, pets, and other people not using the unit away from the work area (at least 15m). Be alert and shut off the unit if anyone enters work area. Keep children under the watchful care of a responsible adult.
- Stay alert, watch what you are doing and use common sense when operating the machine. Never operate the machine when unwell or tired, or if you have taken alcohol, medicine, drugs or any substances which may slow your reflexes and compromise judgment. A moment of inattention while operating the machine may result in serious personal injury.
- Appropriate Personal Protective Equipment (PPE), **MUST** be worn at all times when operating or repairing the machine. Always wear anti-slip and resistant work footwear and long trousers while using the machine. Do not use the machine when barefoot, wearing sandals or similar lightweight footwear. Do not wear chains, bracelets or clothing that is loose fitting or hanging ties or cords. Tie long hair back. Always wear protective earplugs. Loose clothes, jewellery, or long hair can be caught in moving parts. Protect eyes, face, and head from objects that may be thrown from the unit. Always wear safety goggles or safety glasses with side shields when operating.
- Always keep hands and feet away from all moving parts during operation. Moving parts can cut or crush body parts. Always keep hands and feet away from all pinch points.

Safety Information

Personal Safety (Continued)

- Do not touch parts that might be hot from operation. Allow parts to cool before attempting to maintain, adjust, or service.
- Do not overreach. Keep proper footing and balance at all times. This enables better control of the machine in unexpected situations. Extending your body too far can result in a loss of balance and you may fall which will result in injury.
- Never place any part of your body where it would be in danger if movement should occur during assembly, installation, and operation, maintenance, repairing or moving.
- Keep in mind that the operator or user is responsible for accidents, hazards or unexpected events involving the machine that occur to other people or their property. It is the responsibility of the user to assess the potential risk of the area where work is being carried out. The operator or user must take all necessary precautions to ensure their own safety and that of others, especially on slopes or rough, slippery and unstable ground.

Inspect Your Machine

- Check your machine before starting it. Keep guards in place and in working order. Make sure all nuts, bolts, etc., are securely tightened.
- You must check the general condition of the machine before use.
- Never operate the machine when it is in need of repair or is in poor mechanical condition. Replace damaged, missing, or failed parts before using it. Check for fuel leaks. Keep the machine in safe working condition.
- Do not use the machine if the machine's switch does not turn off the machine when running. Any machine that can't be controlled with the switch is dangerous and must be replaced.
- Regularly check to see that keys and adjusting wrenches are removed from the machine area before starting it. A wrench or a key that is left attached to a rotating part of the machine may result in personal injury.
- If the machine should start to vibrate abnormally, stop the machine and check immediately for the cause. Vibration is generally a warning sign of trouble.
- Avoid accidental starting. Be sure the switch is off before transporting the machine or performing any maintenance or service on the unit. Transporting or performing maintenance or service on a machine with its switch on invites accidents.
- Do not tamper with or disable safety systems.
- Only use manufacturer-recommended attachments.
- Before using, always visually inspect to see that the tools are not worn out or damaged. Replace worn out or damaged elements and bolts in set to preserve balance.
- Keep the machine in good operating condition. Operating the machine in poor or questionable condition could result in serious injury.
- Be sure all safety devices are in working order and warning labels are in place. These items are installed for your safety.

Safety Information

Fuel Safety



CAUTION! ALL FUELS ARE HIGHLY FLAMMABLE & PETROL VAPOUR IS EXPLOSIVE. TAKE EXTREME CARE WHEN HANDLING FUEL. KEEP FUEL OUT OF REACH OF CHILDREN.

- NEVER smoke when handling fuel.
- ALWAYS avoid inhaling fumes.
- ALWAYS carry fuel in the correct and clearly marked container.
- ALWAYS wear correct, suitable and fit for purpose Personal Protective Equipment (PPE), suggested items are but not limited to safety gloves and overalls.
- To avoid sparking or arcing, keep grounded conductive objects such as tools away from exposed, live electrical parts and connections. These events could ignite fumes or vapours.
- Do not operate the machine with known leaks in the fuel system.
- Fire hazard - keep fuel away from all sources of ignition for example heaters, lamps, sparks from grinding or welding.
- DO NOT carry out hot work on tanks that have contained fuel.
- ALWAYS keep the work area tidy.
- ALWAYS dispose of waste fuels correctly.
- Serious personal injury can occur when petrol is spilled on yourself or your clothes. Rinse your skin and change your clothes immediately.

Spilled Fuel

- If you have spilled fuel, make sure you do not attempt to ignite the engine but move the machine away from the area of spilled fuel and avoid creating any source of ignition until the fuel has evaporated and fuel vapours have dissipated.
- When fuel is spilled on yourself or your clothes, wash your skin and change clothes immediately.
- ALWAYS clean up spills promptly using absorbent granules and a lidded bin.

Fuel Information

Using E10 Petrol Important: This product must be used with high-quality unleaded fuel ONLY. ALWAYS use automotive petrol/gasoline suitable for four-stroke engines; DO NOT mix fuel and oil. It is recommended to use E10 (95 RON) automotive fuel, with an appropriate additive or stabiliser in this product. Damage caused by failure to add fuel or using incorrect or poor-quality fuel is not covered by your warranty. CAUTION! E10 petrol is hygroscopic and attracts moisture, which may damage the fuel system if stored in the product for more than four weeks. After draining the fuel tank, always run the engine until the last of the fuel in the system is spent and drain the float bowl when the engine is cool. E10 petrol should be used within 30 days of purchase. Some petrol brands contain other quantities of ethanol. DO NOT use fuels with more than 10% ethanol in your Genpower product. Always store and dispose of fuels responsibly and in accordance with local regulations.

Safety Information

Fuelling/De-Fuelling

- ALWAYS fuel and de-fuel in a well ventilated area outside of buildings. Use a funnel to add fuel, only outdoors. Do not smoke during this and each time fuel is handled.
- Add fuel before igniting the engine, never remove the fuel tank cap or add fuel whilst the engine is running or when it is hot.
- When de-fuelling ALWAYS use a proper fuel retriever.
- Never overfill the fuel tank. Engine heat can cause fuel to expand, never fill the tank to more than 1/2" below the bottom of the filler neck. This will provide space for fuel expansion.
- When refilling or draining the fuel tank, use an approved fuel storage container while in a clean, well-ventilated outdoor area. While adding fuel or operating the unit, do not smoke, and stay away from sparks, open flames, or other sources of ignition near the area of operation.
- Always stop the engine and allow it to cool before filling the fuel tank. Never remove the cap of the fuel tank or add fuel while the engine is running or when the engine is hot.
- Loosen the fuel tank cap slowly to relieve any pressure in the tank.
- ALWAYS keep the handles dry, clean and free of oil and fuel.
- After fueling, ensure to tighten the cap securely.
- Never use the lock-function when filling with fuel.

Storage

- Store fuel in containers specifically designed and approved for fuel storage.
- Store fuel in a cool, well-ventilated area, safely away from sparks, open flames, or other sources of ignition.
- Never store fuel or a machine with fuel in the tank inside a building where fumes may reach a spark, open flame, or any other source of ignition (such as a water heater, furnace, or clothes dryer). Allow the engine to cool before storing in any enclosure.
- Replace all fuel tank and container caps securely and wipe up spilled fuel. Never operate the unit without the fuel cap securely in place.

Safety Information

Work Area

- Keep people, children and animals away from the working area.
- Operate on flat, level ground.
- DO NOT use on wet ground. If there has been heavy rain on the working site, wait until the ground has dried up.
- Never leave the machine in a place with unstable ground which could give way.
- You must be careful near ravines, ditches or embankments.
- Do not operate in the rain, when there is a thunderstorm or lightning risk, at times of strong or gale force winds, or at any other times when the weather conditions might make it unsafe to use this product. If there is bad weather conditions, do not use the machine.
- DO NOT use the machine or connected electrical devices in explosive atmospheres, such as in the presence of flammable liquids, gases or dust. Power tools may create sparks, which may ignite the dust or fumes.
- This machine is only for use in well ventilated areas.

Safety Information

During Use

- Do not operate the machine in confined areas where there may be a risk of carbon monoxide poisoning
- You must switch off the machine:
 - Before checking or working on the machine.
 - When transporting the machine.
 - Whenever you leave the area of the machine completely
 - If the machine starts to vibrate abnormally.
- **WARNING!** If something breaks or an accident happens whilst working, you must turn off the machine immediately and move the machine away to prevent further damage. If an accident happens with injuries or third parties are injured, carry out the first aid measures most suitable for the situation immediately and contact the medical authorities for any necessary health care. Carefully remove any debris that might cause damage or harm persons or animals should it not be seen.
- Keep any extension cords away from hot elements of the machine.
- Never operate the machine with damaged outer casing.
- Keep hands and feet away from the exhaust at all times when the machine is running. This will cause burns

Safety Information

Batteries (Where Present)

Batteries present a risk if they become damaged by the possible leaking of electrolyte. This electrolyte is an acid and can cause serious burn injuries. Care should be taken when working on or near them. **NOTE:** the electrolyte may be in a liquid or gel form.

Should you come in to contact with electrolyte you should;

- Remove all clothing contaminated with electrolyte. If you cannot remove then saturate them in water.
- Get medical assistance as soon as possible.

You must advise the medical staff of the type of acid.

You must advise the medical staff of the type of acid. This machine contains LiFePO4 batteries with lipf6 electrolyte.

- Use fresh running water to wash off excess electrolyte, continue this until medical assistance arrives. Make sure that you do not wash the electrolyte to another part of your body or face.
- If electrolyte comes in to contact with Eyes the electrolyte needs to be immediately washed away with large amounts of water. Make sure that you do not wash the electrolyte to another part of your face or body.
- Gasses from charging batteries are highly flammable and great care should be taken to charge in well ventilated areas.



- There is an explosion risk if the battery terminals are short circuited, when connecting/disconnecting ALWAYS exercise great care so that the terminals or battery leads are NOT allowed to touch and cause a spark. ALWAYS use suitable insulated tools.

Electricity (Where Applicable)

DANGER : ELECTRICITY CAN KILL – NEVER WORK ON LIVE / ENERGISED EQUIPMENT.



- Prior to carrying out any maintenance work you MUST identify electrical isolation methods and isolate all electrical supplies.
- Prior to use and with all electrical supplies isolated, you MUST check all electrical cables, plugs and connectors for the following;
 - Are intact and have no signs of damage, to include but not limited to bare wires, chaffing, cuts and loose wiring.
 - If there are any signs of damage, the damaged item MUST be taken out of service until the damage has been repaired by an electrically competent person.
 - All trailing cables should be routed so as not to cause any kind of trip hazard.
 - NEVER work on or near electricity with wet hands, wet clothing and wet gloves.

Safety Information

Electricity (Continued)

- Power tools plug must match the outlet. Never modify the plug in any way. DO NOT use any adapter plugs with earthed (grounded) power tools. Unmodified plugs and matching outlets will reduce risk of electric shock.
- DO NOT expose this power tool to rain or wet conditions. Water entering a power tool will increase the risk of electric shock. DO NOT abuse the power cord. Never use the cord for carrying, pulling or unplugging the power tool. Keep the cord away from heat, oil and sharp edges or moving parts. Damaged or entangled cords increase the risk of electric shock. When operating a power tool, use an extension cord suitable for outdoor use. Use of a cord suitable for outdoor use reduces the risk of electric shock.
- **IMPORTANT:** Make sure that the electric circuit is fused, and that the power, voltage and frequency of the motor is supported by your mains supply. Also, make sure that your power supply is earthed. Connect your machine to earth. Never open the ON/OFF switchbox. However, if it should become necessary to do so, contact a qualified electrician. Make sure that you will never touch live contacts, specifically when you plug or unplug your machine. This machine and its power cord must never get into contact with water.
- Avoid body contact with earthed or grounded surfaces such as pipes, radiators, ranges and refrigerators. There is an increased risk of electric shock if your body is earthed or grounded.
- To prevent electric shock, use only with an extension cord suitable for outdoor use. For additional protection, the installation of a residual current device (RCD) having a rated residual operating current not exceeding 30mA is advisable.
- Before use, check that the extension cord is in good condition. When using an extension cord, make sure to use one heavy enough to carry the current your product will draw. An undersized cord will cause a drop in line voltage resulting in loss of power and overheating.
- Do not allow any part of the machine to make contact with water while it is in operation. If the appliance becomes wet while turned off, wipe dry before starting. Do not touch the appliance or its plug with wet hands or while standing in water. Wearing rubber boots offers some protection.
- Before use, check the supply and extension cord for signs of damage or aging. If the cord becomes damaged during use, disconnect the cord from the supply immediately. If the supply cord is damaged, it must be replaced by the manufacturer or a qualified person in order to avoid a hazard.

Safety Information

Vibrations (Where Applicable)

- Prolonged use of hand held (operated) machines will cause the user to feel the effects of/from vibrations. These vibrations can lead to white finger (Raynaud's phenomenon) or carpal tunnel syndrome. This condition reduces the ability of the hand to feel and regulate temperature, causing numbness and heat sensations and may cause nerve damage and circulatory tissue death.
- Not all factors that lead to white finger disease are known, but cold weather, smoking and other diseases that affect blood vessels and blood circulation as well as large and long-lasting impact of shocks are considered factors in the formation of white finger. Note the following to reduce the risk of white finger and carpal tunnel syndrome;
 - Wear gloves and keep your hands warm.
 - Take regular breaks.
 - All of the above precautions may help reduce the risk of white finger disease but not rule out the carpal tunnel syndrome. Long-term and regular users are therefore recommended to observe the condition of your hands and fingers. Seek medical attention immediately if any of the above symptoms should occur.

Noise (Where Applicable)

- The operating noise of the machine can damage your hearing. When wearing protection such as earplugs or ear defenders to protect your hearing. Long-term and regular users are advised to have hearing checked regularly. Be especially vigilant and cautious when wearing ear protection because your ability to hear alarm warnings will be reduced.
- Noise emissions for this equipment is unavoidable. Carry out noisy work at approved times and for certain periods. Limit the working time to a minimum. For your personal protection and protection of people working nearby it is also advisable for them to wear hearing protection.



- See Certificate of Conformity section for Outdoor Noise declaration of conformity.

Residual Risks

Even when tool is used as prescribed it is not possible to eliminate all residual risk factors. The following hazards may arise in connection with the tool's construction and design:

1. Damage to lungs if an effective dust mask is not worn.
2. Damage to hearing if effective hearing protection is not worn.

Health defects resulting from vibration emission if the power tool is being used over longer period of time or not adequately managed and properly maintained.

▲ WARNING! This machine produces an electromagnetic field during operation. This field may under some circumstances interfere with active or passive medical implants. To reduce the risk of serious or fatal injury, we recommend persons with medical implants to consult their physician and the medical implant manufacturer before operating this machine.

Safety Information

Intended Use

The HY6250SEi is an Inverter Generators from Hyundai, ideally suited for 5000-5500W outputs. It is powered by a 223CC 4-Stroke motor.

These machines are manufactured according to the latest safety requirements. These include automatically overload protection and low oil shut off. Every precaution is only effective when it is followed exactly.

Intended Use

This is intended for private use, i.e. for use in well ventilated areas for power generations providing on the go power.

This machine is intended for use in environments with a maximum ambient temperature of 32°C.

User Types

This machine is intended for use by consumers, i.e. non professional operators. The machine is intended for "DIY" and domestic use only.

Improper Use

Any other usage not in keeping with the above mentioned ones may be hazardous and harm persons and/or damage things. Examples of improper use may include, but are not limited to:

- Power outputs over the specified maximum.
- Parallel use with non-identical generators
- Use involving large scale voltages

Safety Information

Personal Protective Equipment

Appropriate Personal Protective Equipment (PPE), MUST be worn at all times when operating or repairing the machine. No protective equipment can ensure 100% protection.

When selecting PPE, make sure it's CE marked and it suits the user in terms of size, fit, etc. If more than one item of PPE is worn at the same time, make sure they can be used together, e.g. wearing safety glasses may disturb the seal of a respirator, causing air leaks.



Hand Protection Must Be Worn

Protective electrically non-conductive gloves are highly recommended when working.



Foot Protection Must Be Worn

Non-skid heavy duty footwear are highly recommended when working.



Hearing Protection Must Be Worn

Suitable safety hearing protection is recommended.



Eye Protection Must Be Worn

Always wear safety glasses/goggles and/or face shields. Everyday eyeglasses have only impact resistant lenses; they are not safety glasses/goggles.



Protective Clothing Must Be Worn

Do not wear loose clothing, gloves, scarfs, neckties or jewellery (rings, wrist watches), which can be caught in moving parts.



Head Protection Must Be Worn

Wear a safety helmet with a safety visor.



Face Shield Must Be Worn

Wear a face shield to protect your face.

Safety Information

! Symbols On The Machine

We have provided safety messages in this manual and on the machine. This information alerts you to potential hazards that could hurt you or others. Please read these messages carefully. However, we may not have listed all of the possible hazards, you must also use your own judgement.



To reduce the risk of injury, the user must read the instruction manual



This symbol is used throughout this manual to warn the user about potential risks. Please read & understand these sections before using the device.



Personal Protective Equipment (P.P.E.) to be worn during operation such as:

- Gloves and Hand Protection
- Safety Glasses and Eye Protection
- Ear Defenders for Sound Protection
- Protective Head gear



Waste Electrical and Electronic Equipment (WEEE) : When disposing the machine you must conform to WEEE regulations.



Exhaust Gas Warning : Exhaust Gas from this machine is poisonous, NEVER operate in an unventilated area



Hot Surface Warning : During the operation of this machine, it becomes dangerously hot. Allow to cool before moving



Fire Risk Warning : Due to using flammable liquids, risk of fire is always present. NEVER refuel during operation.



Proximity Warning : Ensure during operation a 4ft boundary is observed.



Sound Warning : This machine exerts 97dB of noise during operation. Ensure this is considered whilst operating.



Detonation Warning : Prior to refuelling always turn off the machine. After refuelling check for spilt fuel. NEVER operate near open flames.

Safety Information

! Symbols On The Machine

We have provided safety messages in this manual and on the machine. This information alerts you to potential hazards that could hurt you or others. Please read these messages carefully. However, we may not have listed all of the possible hazards, you must also use your own judgement.



Water Exposure Warning : Never allow the machines to be exposed to rain or wet conditions.



Electrocution Warning : This machine is a potential source of electrical shock. Never expose to moisture, rain or snow. Do not operate with wet hands or feet.



Grounding Warning : Failure to properly ground this machine can result in electrocution.



Ground Location : This shows suitable areas where the machine can be connected to ground.

! Carbon Monoxide Warning



BREATHING IN CARBON MONOXIDE FUMES CAN CAUSE DEATH!
Using a generator indoors in an unventilated area **CAN KILL YOU IN MINUTES!** The exhaust fumes from machines contain Carbon Monoxide. This is a poisonous gas that you can't see or smell.

- NEVER use inside a building with poor ventilation even IF the doors and windows are open.
- NEVER use inside a confined space such as but not limited to a house, garage, large vehicle, boat or tent.
- Never operate the machines near other machines which use flammable liquids as a fuel source.
- Only use the machine outside far away from open windows, doors and vents.

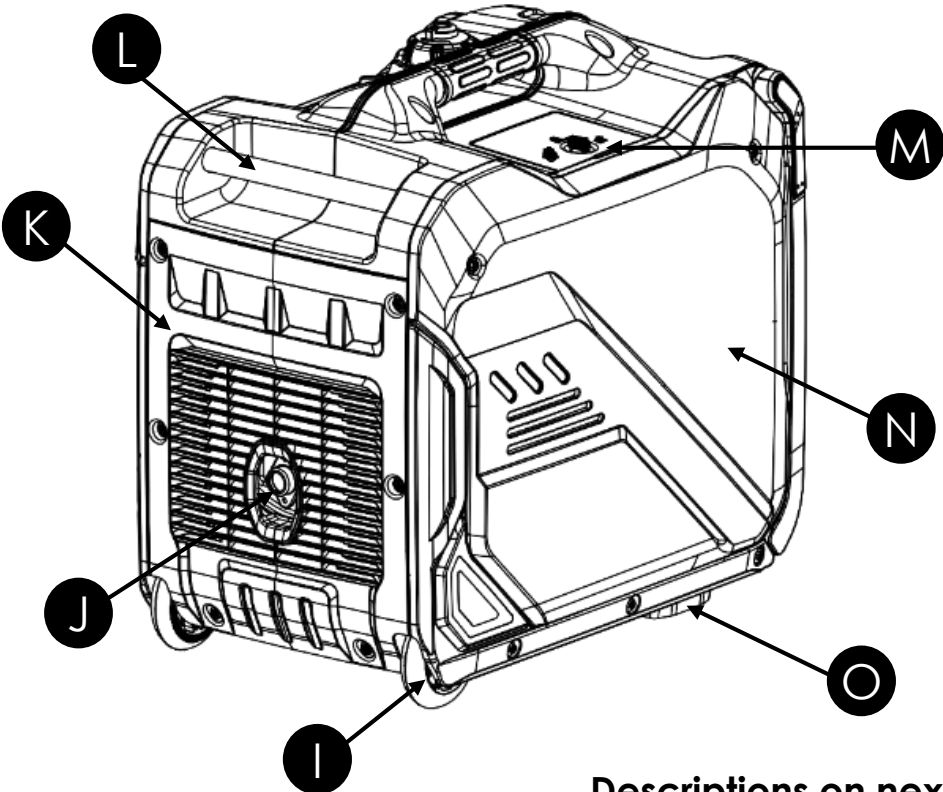
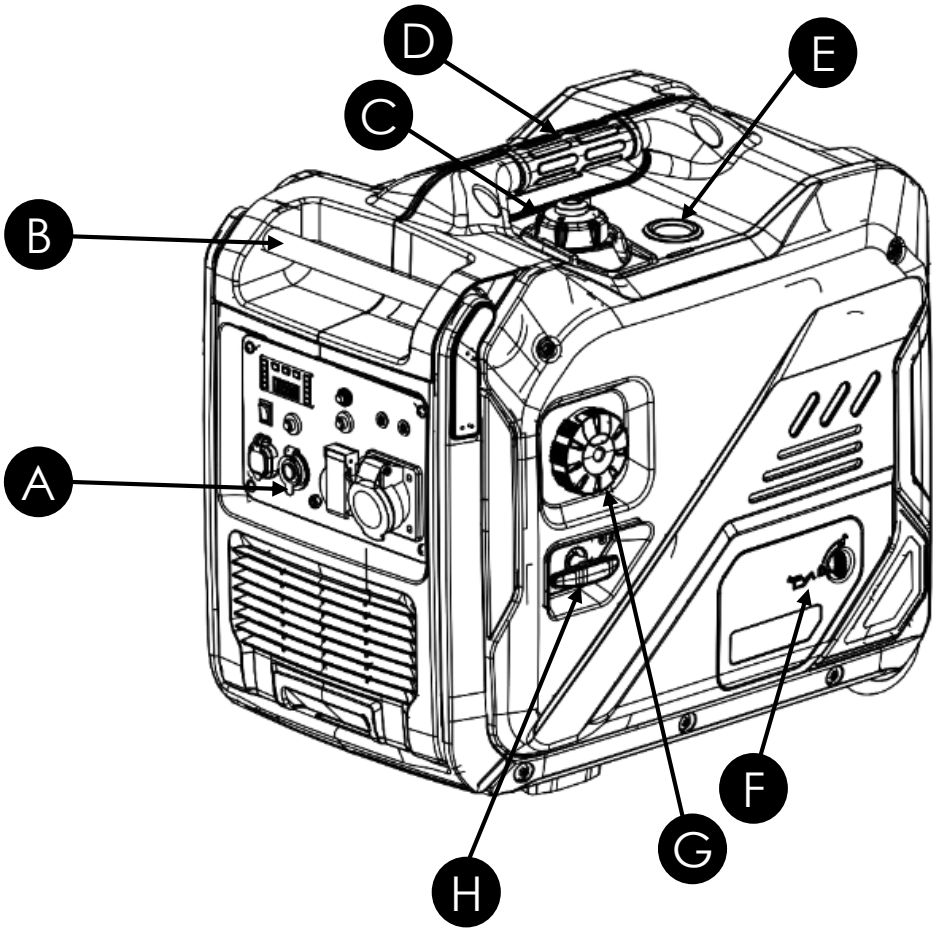
Unboxing

⚠ WARNING : Unboxing and assembling the machine should be done on a flat, surface with enough room. Disposal of the packaging should be done in accordance with the local regulations in force.

⚠ WARNING : Some of the packaging material may be harmful to children. Keep out of reach of children.

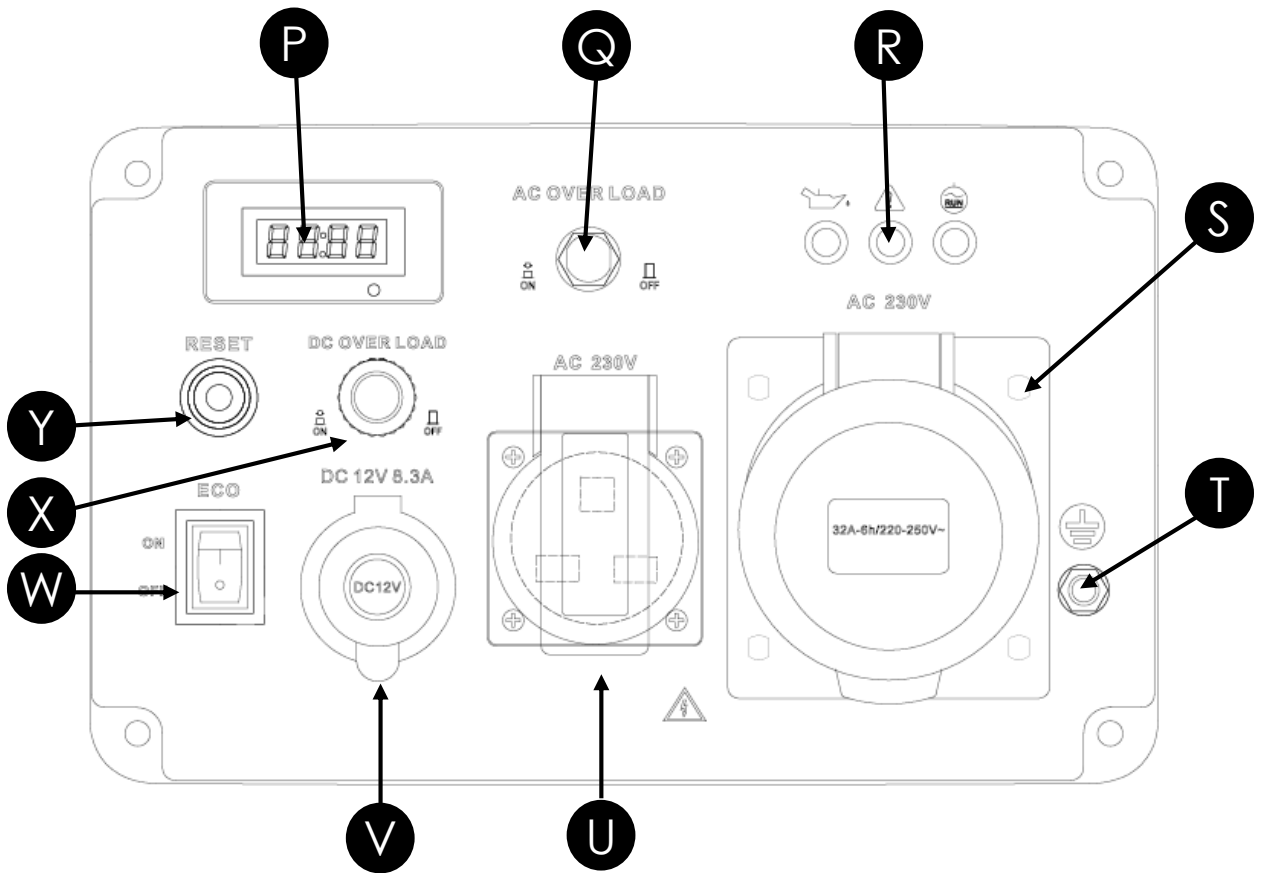
1. Carefully remove the product from the packaging and examine it for any sign of damage caused during shipping.
2. Lay the contents out and check them. If any part is damaged or missing, you must not use the machine. Contact HYUNDAI POWER PRODUCTS immediately.
3. You must keep the packaging material in case the machine needs to be returned or repaired.
4. Ensure that you have all the accessories and tools you need for assembly and operation including the suitable personal protective equipment.

Features



Descriptions on next page 

Features



- A. Control Panel
- B. Front Handle
- C. Fuel Cap
- D. Upper Handle
- E. Fuel Gauge
- F. Maintenance Panel
- G. Choke Control & E-Start
- H. Recoil Starter Handle
- I. Wheel
- J. Exhaust
- K. Exhaust Panel
- L. Rear Handle
- M. Upper Maintenance Panel
- N. Side Panel
- O. Anti-Vibration Feet

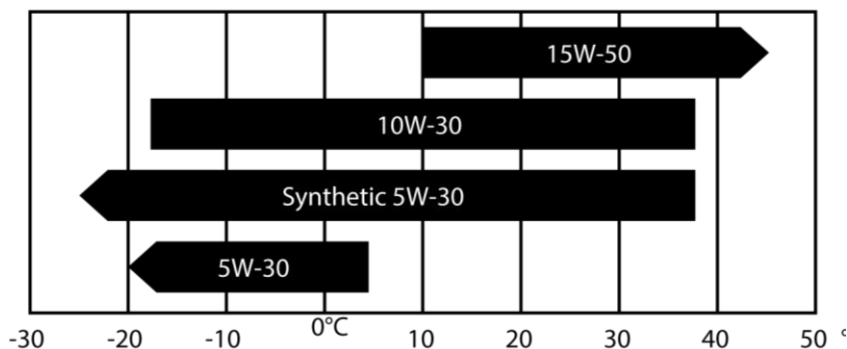
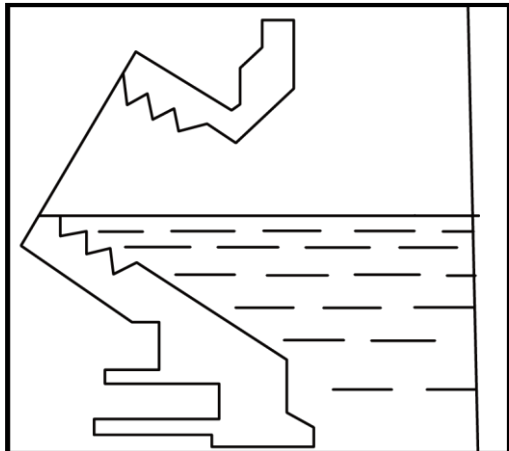
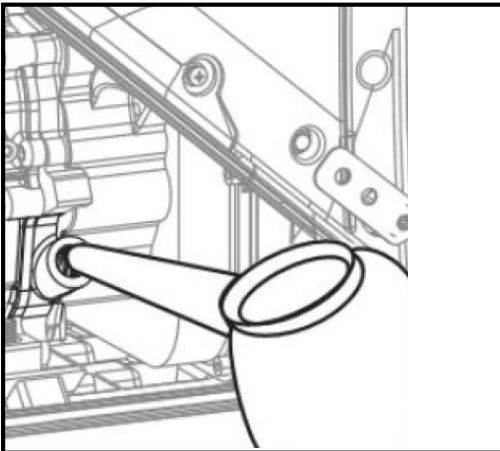
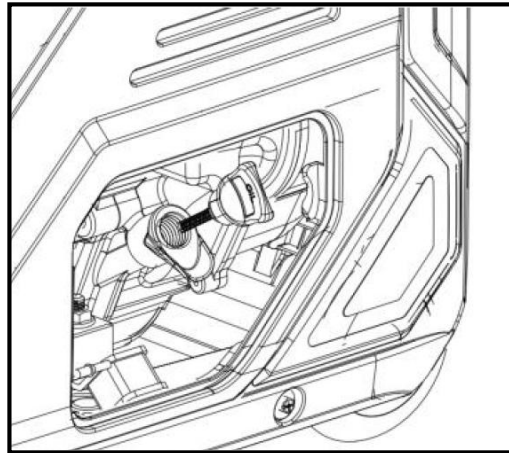
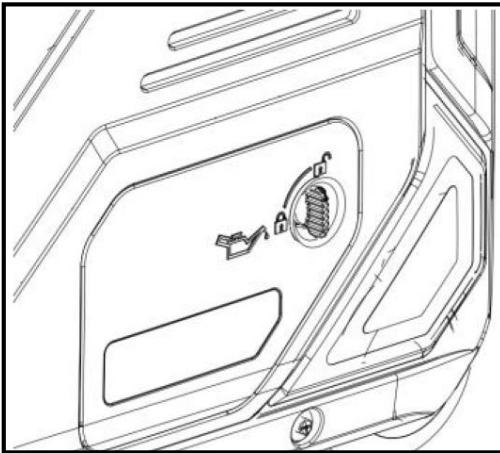
- P. Digital Output
- Q. AC Overload
- R. Status Indicators
- S. 32 amp AC Output
- T. Ground Terminal
- U. 16 amp AC Output
- V. 12V DC Output
- W. ECO Switch
- X. DC Overload
- Y. Reset Switch

Pre-Operation Checks

Oil Level

! ALWAYS ensure the machine is on level ground when filling/checking the oil level. This will give the most accurate measurement.

- Remove side Maintenance panel
- Remove the oil filler cap
- Using a funnel or spouted container, fill the machine with 0.41L of oil. We recommend using SAE 10W-30 grade oil for optimum performance.

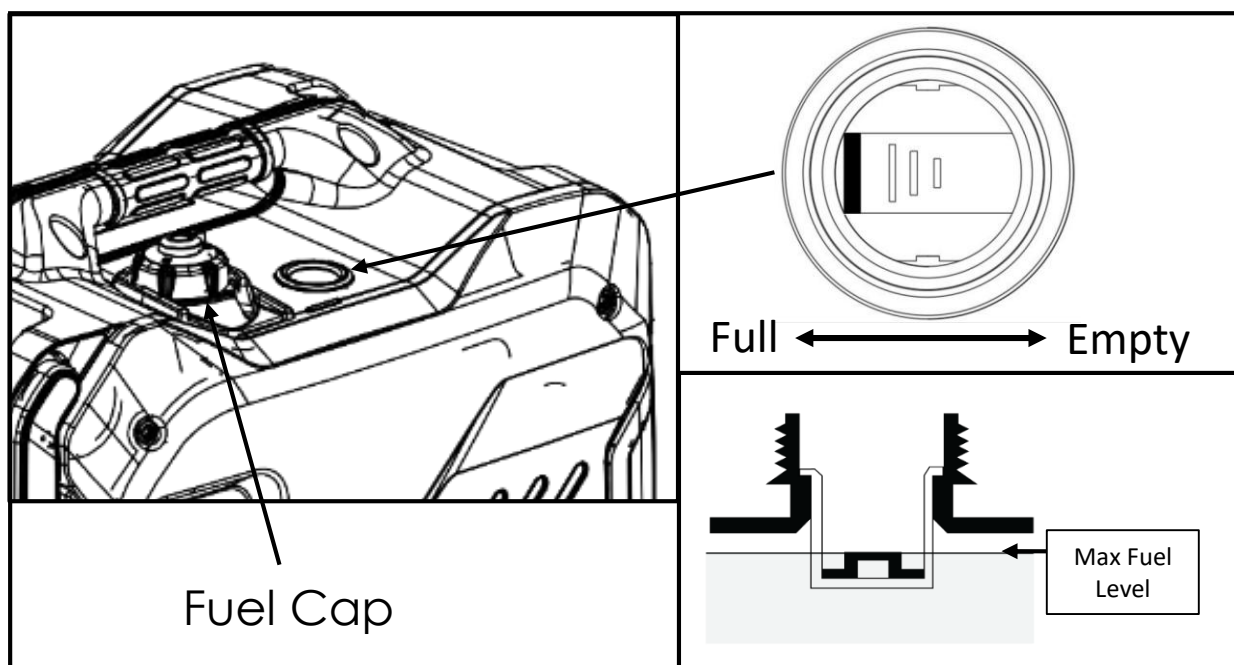


Pre-Operation Checks

Fuel Level

! ALWAYS ensure the machine is on level ground when fueling or checking the fuel level. This will give the most accurate measurement.

- Remove the fuel cap.
- Using a funnel or spouted container, carefully fill with fuel. We recommend using 95 Octane premium fuel.
- In the top of the fuel tank is the Fuel Level Indicator, fill to level shown below.

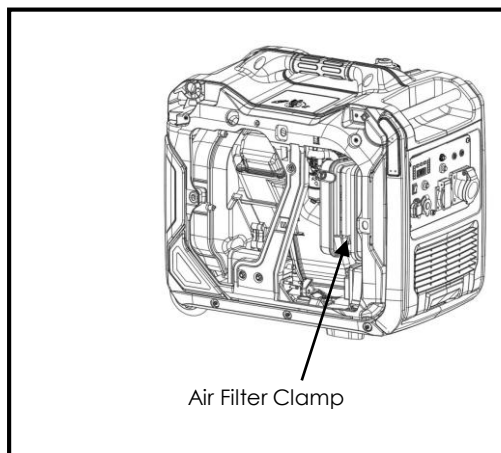
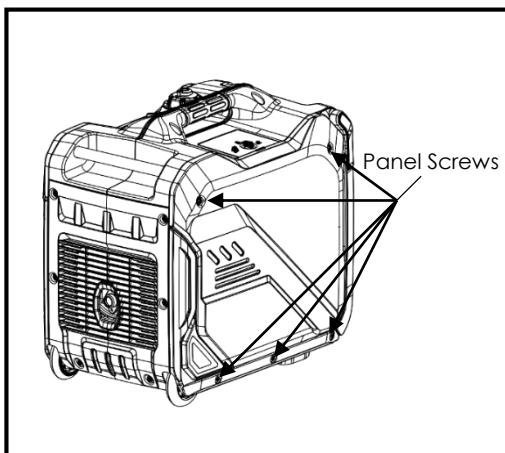


Pre-Operation Checks

Air Filter Check

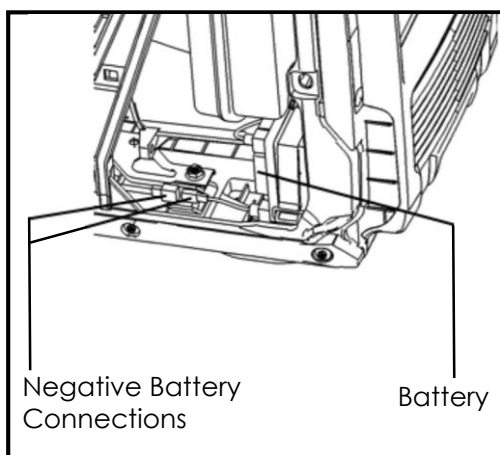
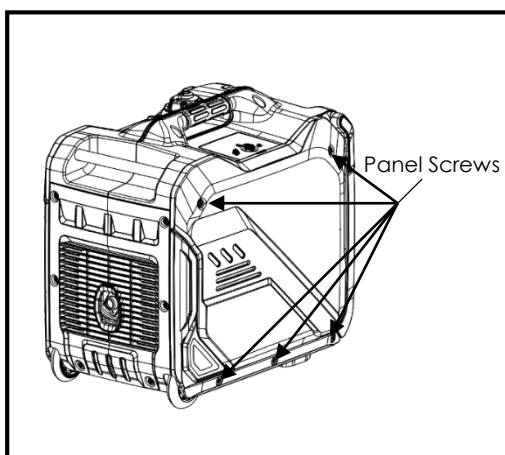
! A dirty air filter will restrict air flow to the carburettor, reducing engine and output performance

- Remove the **Maintenance Panel** by removing the panel screws.
- Loosen the locking clamp on the Air Filter Cover
- Remove the Air filter and inspect for cleanliness. If any debris or blockages are present clean or replace.



Battery Connection

Behind the **Maintenance Panel** there are 2 halves of a connector which complete the circuit for the negative terminal on the battery. Combine the 2 halves to complete the circuit enabling the E-Start function.



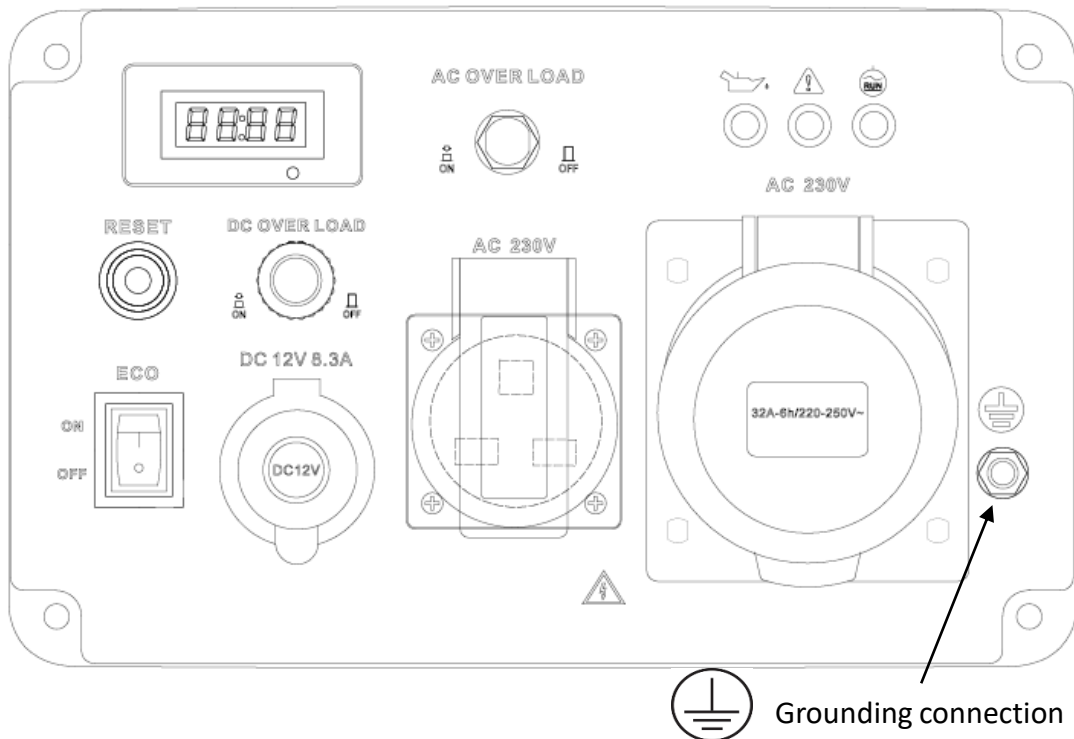
Pre-Operation Checks

Electrical Unloading

Before operating the machine, always ensure the machine is unloaded. This means, ensure there are no external accessories which are powered by the machine are connected.

Machine Grounding

During any form of operation, grounding the machine is always recommended. This means connecting the machine to a reliable, dedicated ground via a wire from the Ground Terminal on the main panel. Remove the bolt from ground point and secure a suitable cable. Re-secure the bolt when cable is connected.



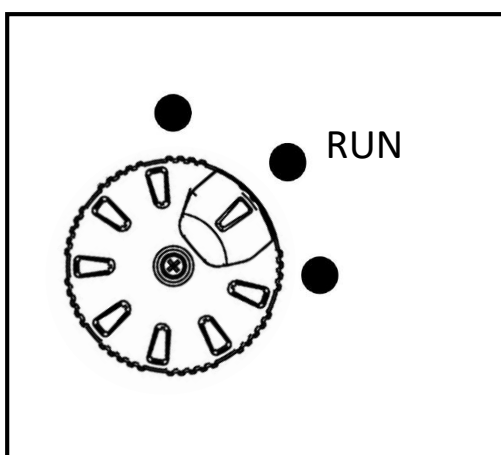
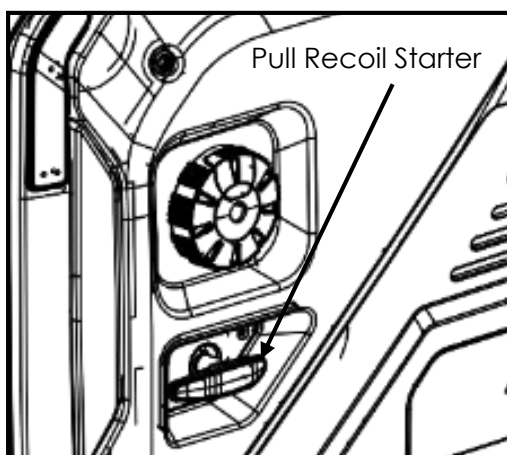
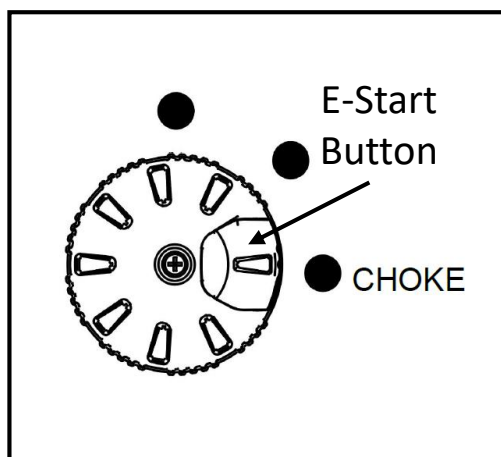
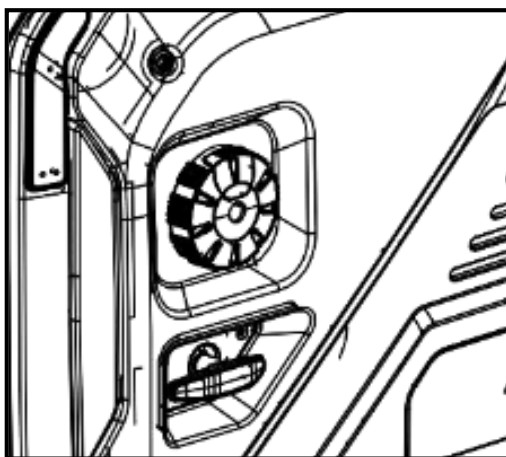
Operation

Starting

! WARNING ! – YOU MUST READ AND UNDERSTAND THE WHOLE USER MANUAL BEFORE OPERATING THIS MACHINE

! WARNING ! – Your Generator must not be ran in wet condition i.e. Raining or poolside. Always operate in a dry well ventilated area.

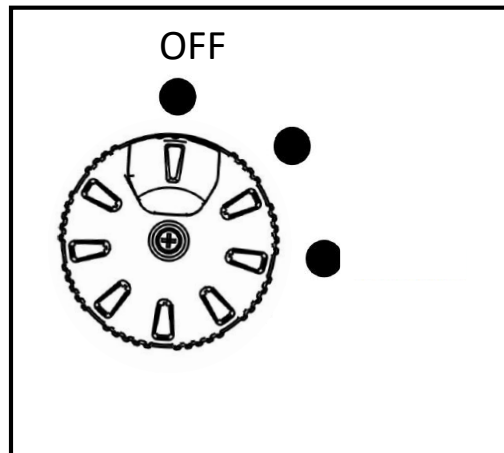
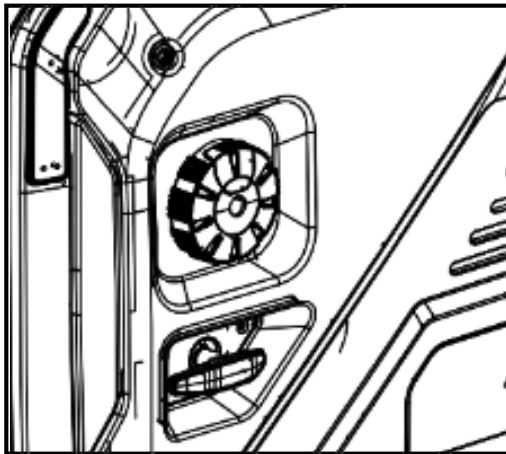
- Rotate the Choke Control into the Cold Start/CHOKE Position
- For E-Start, press the E-start button for up to 10 seconds until the machine starts. If the machine doesn't start try 2 more times. If the machine still fails to start, follow the Recoil start instructions.
- For Recoil-Start, pull the Recoil Starter grip lightly until resistance is felt, then pull it briskly. Do not allow the recoil starter grip to snap back against the engine. Return it gently to prevent damage to the starter.
- If the Choke Control was moved to the Cold Start/CHOKE position to start the engine, move it to the RUN position.
- IF restarting your machine, start it with the Choke Control into the RUN position instead of Choke.



Operation

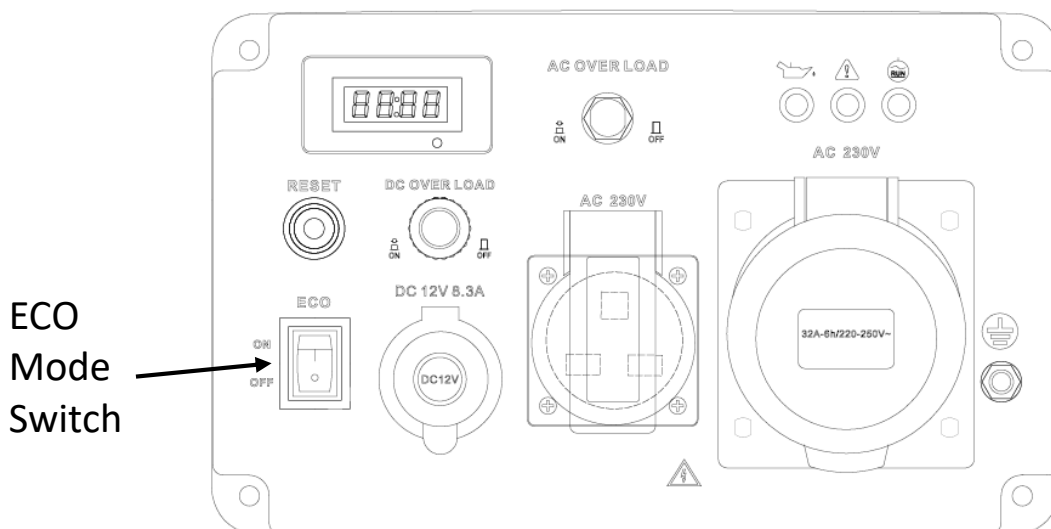
Stopping

1. To turn off the machine, turn the **Choke Control** to the **Off** position. The machine will slow down to a stop.



ECO Mode

When your machine is under a consistent load, you opt to put it into ECO mode. This will make the machine run at the optimal RPM to supply your accessories and save fuel.



Operation

Connecting Appliances

! WARNING ! – ALWAYS ACCESS YOUR APPLIANCES ARE IN FULL WORKING ORDER BEFORE CONNECTING. FAULTY OR DAMAGED APPLIANCES ARE LIKELY TO CAUSE DAMAGE OR INJURY.

The HY6250SEi has a rated power of 5000W. This is the maximum amount of power the machine can supply, anything over this will cause the machine to stall, and operate outside of stated specification. This can be dangerous and cause damage to your machine.

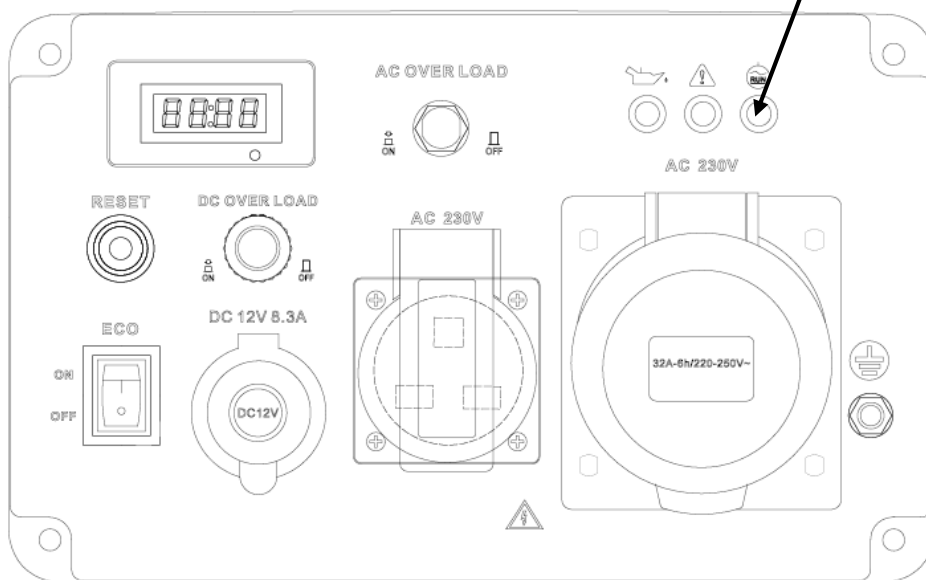
Start your machine, when the Output Indicator Light is illuminated you can start to connect your devices 1 at a time.

Using either the 230V or DC12V compatible socket, connect your socket into the desired plug.

Your appliance should now be supplied with power and safe to use. To disconnect an appliance, turn off it off and then disconnect.

NOTE* If using a suitable socket extension, ensure you follow the same procedure if any additional appliances are connected. Listen to the tune of the engine, if it changes from the previous running speed, disconnect your appliance. Also if your appliance aren't working as intended, this could be an indication the generator can't provide your requested power. Suitable extensions should be IEC245 compliant.

Output Indicator light



Operation

Generator Status Indicators

The HY6250SEi have Output, Overload and Low Oil Warning indicator lights on the Generator Monitor.

Output Indicator – The Output indicator will illuminate Green when the machine is ready to be used. It will remain illuminated during operation.

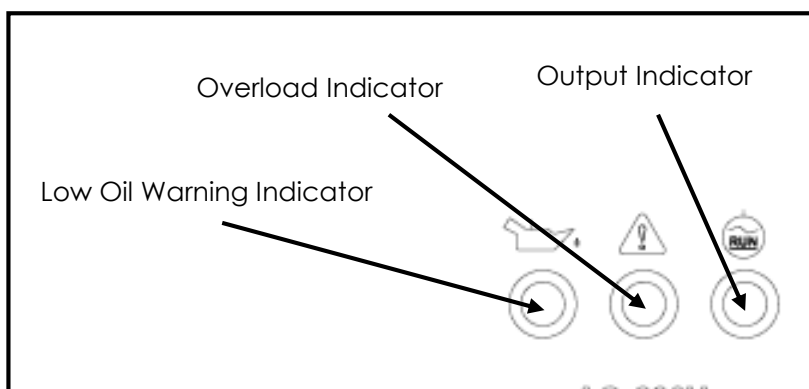
Overload Indicator – The Overload Indicator will be illuminated Red when the machine detects an overload or short circuited appliance. **IF** the Overload Indicator is on, power to all outputs will be cut. In the event of this the machine will still run but no longer output any power.

To restore power output, remove all connected appliances. Then hold the Reset button for 1 second. If the Overload Indicator turns off and the Output Indicator turns on, the machine is ready to resume operation.

IF the Overload Indicator stays illuminated turn the machine off and check the generator for any damage. If you have any queries, please contact us (contact details on page x)

Low Oil Warning Indicator – The Low Oil Warning indicator will illuminate in the event as insufficient amount of oil is detected. This will illuminate before the oil level reaches a critically low amount. Please fill with the correct spec of oil to turn the light off.

If you continue to run the machine with the Low Oil Warning light illuminated, it can and will cut the machine from running. To rectify this fill with the correct spec and amount of oil.



Maintenance & Care

General Maintenance

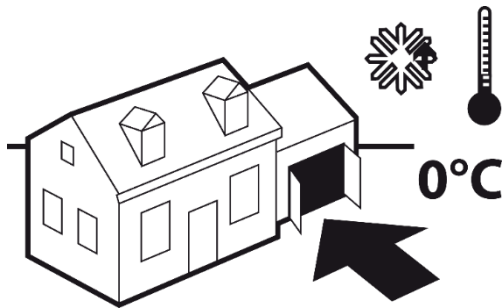
⚠ WARNING : Turn OFF the machine, allow all moving parts to come to a complete stop, and disconnect the power cord before maintaining the machine. You need to wear proper clothing and protective gloves whenever your hands are at risk.

- Keep all nuts, bolts and screws tight to be sure the machine is in a safe working condition.
- Replace worn or damaged parts for safety. Only use manufacturer-recommended parts and accessories.
- To keep your machine in good working condition, you can use spray lubricating oil along the blade, on the top of the blade, and the bottom of the blade.

Storage

⚠ Keep the machine stored in a dry, level area away from damp, moisture and rain fall. Allow the machine to cool down before storing.

- Make sure the machine is clean and dry before storing.
- Make sure the machine is stored away from direct sunlight. Store indoors or in a safe, locked protected area during severe weather and winter months.
- Ensure the machine is stored in a position, where any persons cannot step on to attempt to reach items up high, due to risk of movement.
- DO NOT store the machine near an ignition source, such as a wood stove, gas or electric heater, or an appliance or heater with a pilot light.
- Store the machine out of reach of children or anyone who is not familiar with operation.
- DO NOT stack other items on top of the machine when in storage.



Maintenance & Care

Service Schedule

Item	Task	Each Use	First 10 Hours	Every 50 Hours	Every 100 Hours	Every 300 Hours
Generator	General Inspection	●				
Engine Oil	Inspect Oil Level	●				
	Change		★		★★★	
Air Filter	Inspection	●				
	Clean			●		
Sediment cup	Clean			●		
Spark Plug	Inspect & Clean				●	
	Replace				●	
Spark Arrestor	Inspect & Clean					●
Valve Clearance	Inspect & Adjust					●
Combustion Chamber	Inspect & Adjust					●
Fuel Tank & Strainer	Clean					●
Fuel Line	Clean	Every 2 months (replace if necessary)				
Exposed Metal Components	Clean	After every use and before every start.				



After engine break-in period (First 10 Hours) the oil must be changed
Change Engine oil every year or 100 hours, whichever comes first

! NOTE – When using the machine in dusty and dirty areas, the service intervals should be shortened to increase frequency

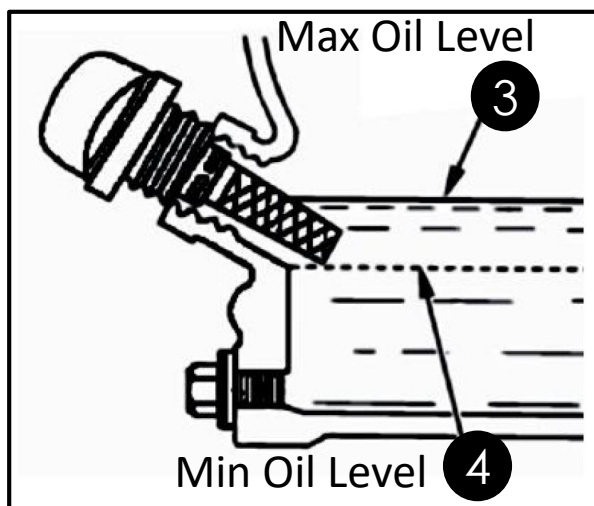
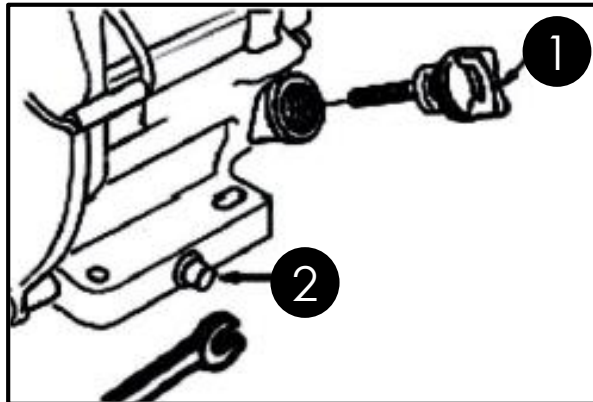
! NOTE – Maintenance should be carried out by qualified technicians or mechanical proficient persons.

Maintenance & Care

Oil Maintenance

! WARNING – When changing the oil, ensure it's warmed. If changing the oil after more than 10 minutes of operation, allow the machine to cool for a short period of time.

- To change the oil, firstly remove the **Maintenance Panel**.
- Open the Oil Filler Cap (1) and remove the engine sump bolt (2). With a suitable container to in place, tilt the machine. It's a good idea to use some absorbent paper or an oil rag when doing this, to ensure no oil drips into the machine inner casing. Tilt the machine until oil no longer comes out.
- Follow the instructions on Page 20 on how to replenish the drained oil.

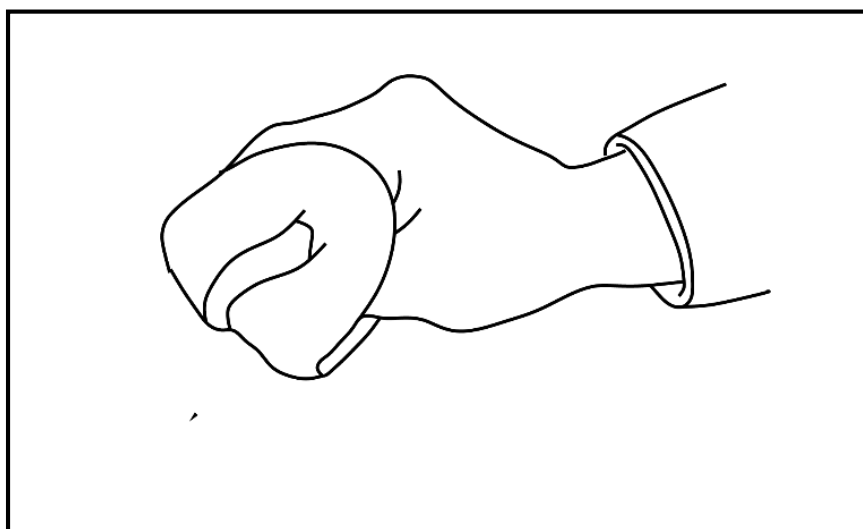
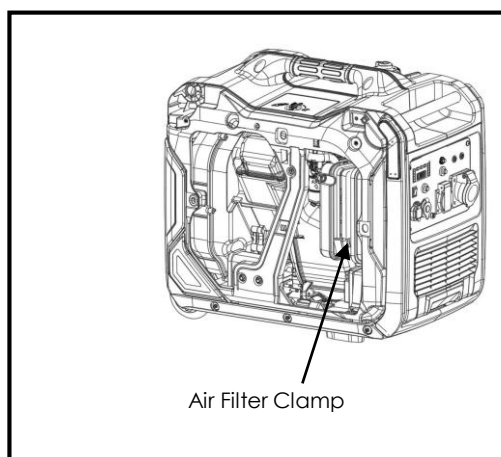
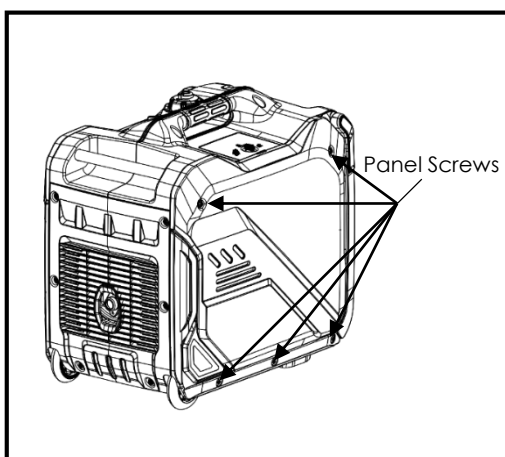


Maintenance & Care

Air Filter Maintenance

! WARNING – NEVER use petrol or Low Ignition point solvents for cleaning. Being highly flammable they can cause fire or explosions when the machine is turned on.

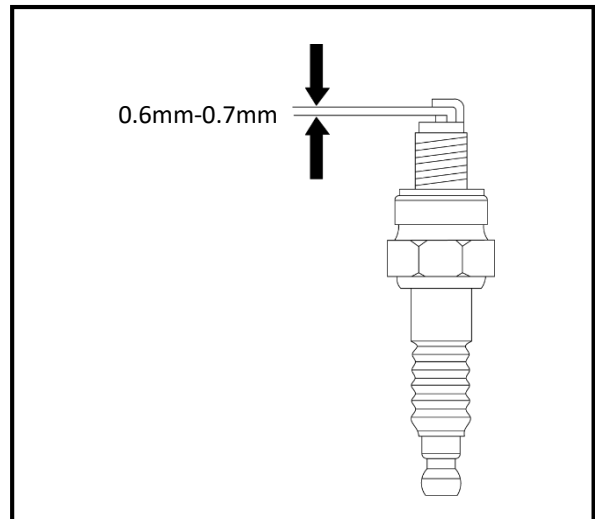
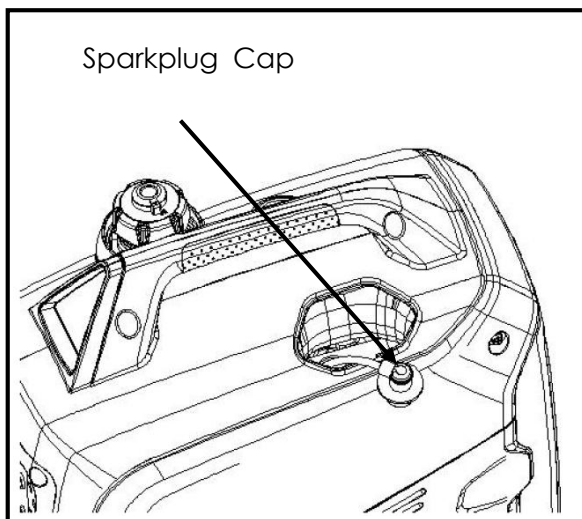
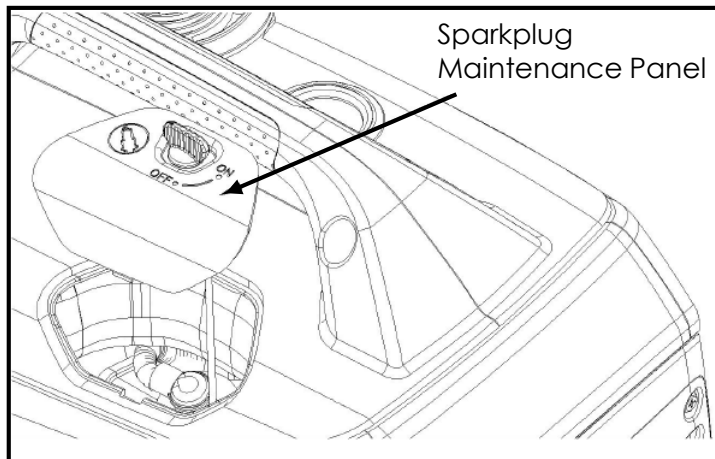
- To clean the Air filter, firstly remove the **Maintenance Panel**.
- Loosen the Air filter clamp on the Air Filter cover and remove. The Air Filter Element can now be removed.
- Clean the Air Filter Element with a suitable cleaning agent and allow to dry.
- Soak the Air filter element in clean engine oil. Then squeeze out any excess oil, the filter shouldn't be dripping with residual oil.
- Re-install the Air Filter element, Air filter cover and maintenance panel



Maintenance & Care

Spark Plug Maintenance

1. Remove the **Spark Plug Maintenance Panel**.
2. Remove the sparkplug cap, and remove with a suitable spark plug socket/wrench.
3. Inspect your sparkplug, if it's dirty you can simply use a wire brush and a suitable cleaning solution to remove any carbon deposits.
4. Using a feeler gauge, you can also check the Sparkplug gap. The gap must be set at 0.6mm-0.7mm.
5. If your sparkplug insulation is cracked or chipped it needs replacing, replace it with a BPR6HS specification replacement.
6. When replacing the sparkplug, ensure to be careful when reinstalling not to cross thread.



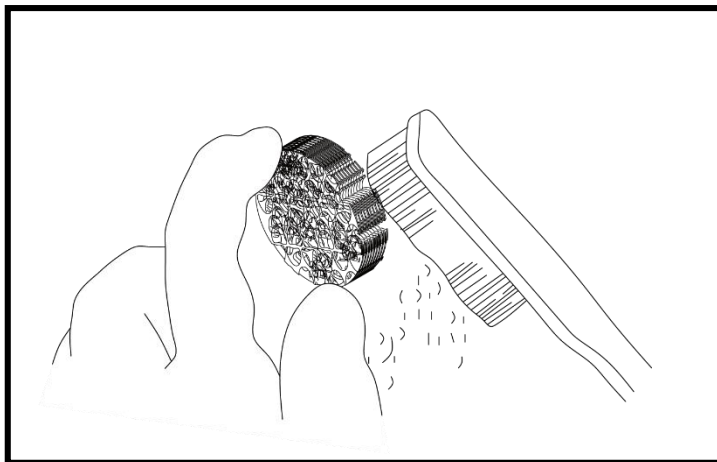
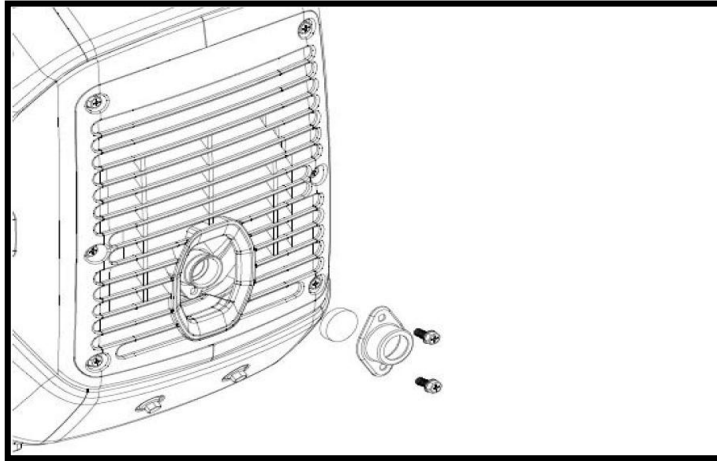
Maintenance & Care

Spark Arrestor Maintenance

! WARNING – Allow the machine to fully cool down before carrying out this maintenance step.

There's 6 screws that can be removed to get easy access to the Muffler and Spark arrestor.

Remove the Muffler and Spark Arrestor. Using a soft bristle brush, clean the spark arrestor, a cleaning fluid can be used to help aid the cleaning process.



Maintenance & Care

Transportation & Storage

! WARNING – Never store the machine long term or transport the machine in a vehicle when it's full of fuel and oil.

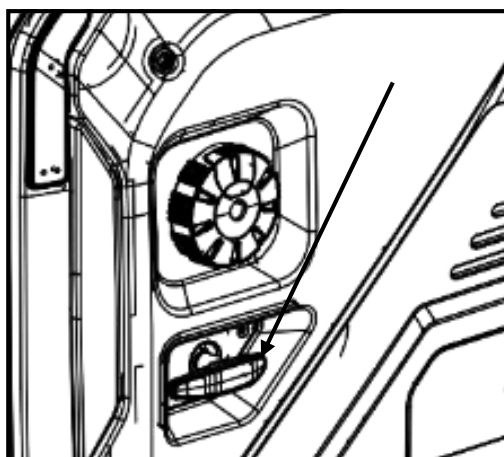
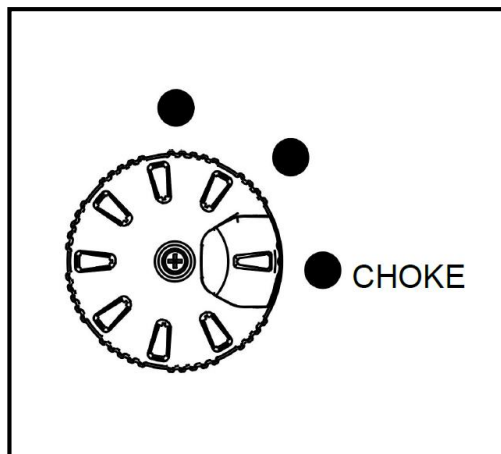
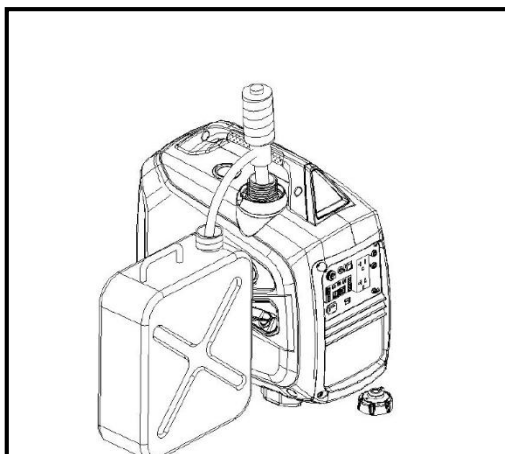
! WARNING – When storing the machine long term, it should be in a well ventilated area away from direct sunlight. High temperatures can cause fuel to vaporise which is hazardous to health.

Drain the fuel tank. Use a suitable siphon and fuel container to carry this out.

Drain the carburettor of any fuel. There's a drain screw on the carburettor, loosen this. Using a suitable container, place beneath the carburettor. Turn the **Choke Control** into the choke position. The fuel should drain off.

Drain the engine oil using instructions from page 29.

Using instructions from page 32, remove sparkplug and through the sparkplug location fill with 10ml-20ml of clean engine oil. Ensuring the sparkplug cap is off, pull the recoil until you feel a slight resistance. This means both the intake and exhaust valves are closed which is ideal conditions for long term storage



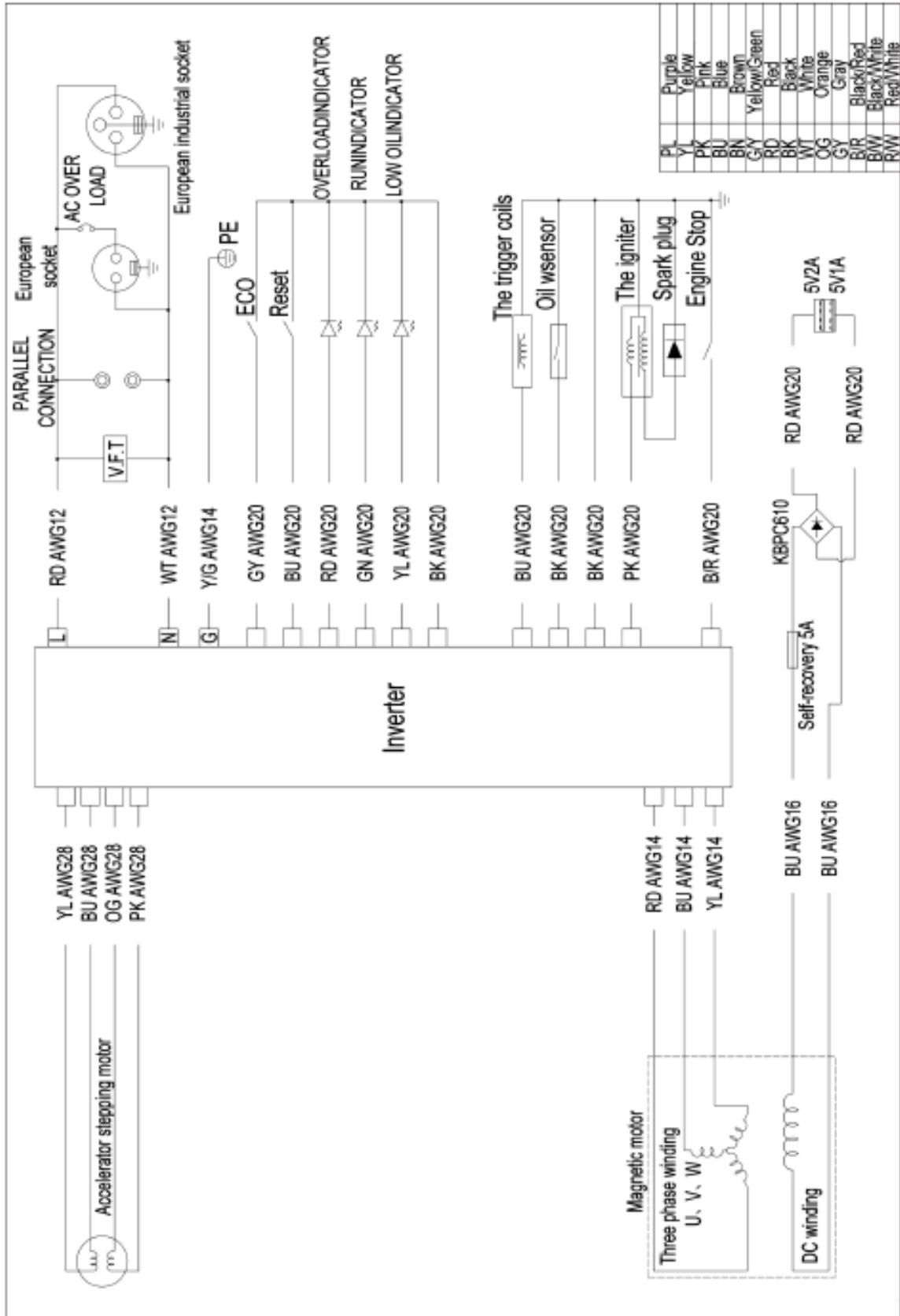
Troubleshooting

Machine Troubleshooting

Fault	Cause	Action
The Machine doesn't Start	No fuel	Fill the oil tank with gasoline
	Choke control is not set to Choke	Turn the fuel valve to Choke
	The Fuel valve is blocked	Clean carb
	No engine oil or the engine oil level is low	Add oil
	The engine switch is turned off	Turn the switch to the "on" position
	The spark plug fails	Clean or replace the spark plug (refer to page 31)
There is no power output	The circuit breaker is in the off position (DC12V only)	Turn the circuit breaker to the "on" position
	The plug is poorly contacted	Remove and refit the plug.
The unit shudders during operation	The choke lever position is incorrect	Move the choke lever to the "Run" position during operation
The unit emits white smoke	The temperature of the engine is too high, maybe overloaded	Let the engine run without load for more than 10 minutes
	The fuel is contaminated	Use fresh clean fuel
The unit emits black smoke	The air filter is dirty	Clean the filter element of the air filter
	The load is too heavy	Reduce load to the rated limit
The unit emits blue smoke	The engine oil is overfilled	Drain oil to correct level
	The engine oil type is incorrect	Choose appropriate engine oil model
The Power Decreases over time	The spark plug fails	Clean or Replace Spark Plug
	The valve clearance are out of adjustment	Adjust the Valve Clearances

Troubleshooting

HY6250SEi Wiring Diagram



Technical Data

Specification

Model	HY6250SEi
Engine Spec	4-Stroke OHV Single cylinder air cooled.
Engine Displacement (cc)	223cc
Engine Speed (RPM)	4800
Ignition System	TCI
Spark Plug	F7RTC
Spark Plug Gap	0.024-.028 inches / 0.6-0.7mm
Starting System	Recoil
Fuel Type	Unleaded Petrol
Oil Capacity (L)	0.65
Oil	SAE 10W30
Frequency	50/60Hz
Rated Voltage	230/240V
Rated Current (W)	5000
Peak Output (W)	5500
Running Output (W)	5000
DC Ouput	12V 8.3A
Fuel Tank Volume	11L
Continuous Running Time	3.8
Sound Power Level @ 7 metres	95
Sound Level (LWA)	97
Sound Level (LpA)	77
Dimensions mm (LxWxH)	590x390x545
HY6250SEi Net Weight (kg)	39.5

Recycling & Disposal

Recycling & Disposal

We do not offer a takeback scheme for the recovery of Waste Electrical Electronic Equipment (WEEE) & Batteries. Instead the responsibility to dispose of WEEE and/or Batteries is passed onto you by us.

So when it becomes necessary to dispose of your machine you must take it to your local Civic Amenity Site. For further information please contact your local Authority for disposal advice.

You **MUST** make sure that all unused oil and fuel is disposed of correctly either beforehand or at your local Civic Amenity Site.

- Under NO circumstances must any fuel or oil be put down any drains.
- Certain products contain WEEE waste which should not be disposed of in your domestic waste.
- You **MUST** recycle WEEE in accordance with your local authority or recycling centre.
- Certain products contain batteries which should not be disposed of in your domestic waste.
- You **MUST** recycle batteries in accordance with your local authority or recycling centre.
- Unwanted packaging and materials should be stored and taken to a recycling centre so it can be disposed of in a manner which is compatible with the environment.

We are a Member of the VALPAK National Compliance Scheme and our registration number is RM08660. For further information about disposal please contact your Local Authority.

You can also get more advice and guidance about recycling at the following website <http://www.recycle-more.co.uk>

Should you pass this product on to another user either sold or loaned, you **MUST** pass on this user manual. This will make sure that all other users can use and maintain this machine safely.

Environmental Protection

1. Environmental protection should be a priority of considerable importance when using the machine, for the benefit of both social coexistence and the environment in which we live. Try not to cause any disturbance to the surrounding area.
2. You must comply with local regulations and provisions for the disposal of packaging, oils, fuel, filters, damaged parts or any elements which have a strong impact on the environment. This waste must not be disposed of as normal waste. It needs to be separated and taken to specified waste disposal centres where the material will be recycled.
3. You must comply with local regulations for the disposal of waste materials after mowing.
4. When disposing, do not pollute the environment with the machine, but hand it over to a disposal centre, in accordance with the local laws in force.

Declaration Of Conformity

Importer and Authorised Representative

Genpower Ltd
Isaac Way, Pembroke Dock, SA72 4RW
Country of Origin: China
Description: Petrol Inverter Generator
SKU Code: HY6250SEi
Date of Issue: 01/11/2025

This declaration is issued under the sole responsibility of Genpower Ltd.

We hereby declare that the machine detailed in this declaration complies to all the relevant provisions of the following EC directives and regulations

Regulations and Directives of Compliance

- 2006/42/EC Machinery Directive
- 2014/30/EU Electromagnetic Compatibility Directive
- 2016/1628/EC The Emission of Gaseous and Particulate Pollutants from Internal Combustion Engines
- 2000/14/EC Noise Emissions in the Environment by Equipment for use Outdoors

REFERENCES TO THE RELEVANT HARMONISED SAFETY STANDARDS USED OR REFERENCES TO THE OTHER TECHNICAL SPECIFICATIONS IN RELATION TO WHICH CONFORMITY IS DECLARED:

- EN 55012:2007+A1:2009
- EN IEC 61000-6-1:2019
- EN ISO 8528-13:2016
- EN ISO 3744:1995
- ISO 8528-10:1998

Statement of Declaration

We the importer and authorised representative of the product described confirm conformity within the provisions of applicable regulations and directives listed within this document.

Signed on Behalf of Genpower Ltd

Place of Issue: Genpower Ltd
Signatory Name: Roland Llewellyn
Position: Managing Director

RJLlewellyn



Useful Information

Check Out Our YouTube Channel

Our videos on YouTube include:

- Unboxing
- Assembly of your machine
- How to service your machine
- Products in use
- 'How To' videos
- Product features

Go to YouTube and search '**Hyundai Power Products**'.

Warranty

Proof of purchase will be required before you make a warranty claim. Full warranty terms and conditions can be found on the HYUNDAI POWER PRODUCTS website:

www.hyundaipowerproducts.co.uk

Manual Updates

Our manuals are constantly being reviewed and updated. Should you find an error, omission or something unclear, please contact us for assistance. We reserve the right to make any modifications without prior notice whenever necessary.

Our latest manuals are also placed online. All our manuals can be downloaded at:

www.hyundaipowerproducts.co.uk

Returning Your Product

If you are returning your product, please contact the dealer for their returns policy.

Leaving A Review

We work very hard to give all of our customers the best possible service. If you have any problems, before leaving negative feedback, please contact us to give us a chance to resolve the issue. We would be delighted if you left us positive feedback! To leave a review, please go to:

uk.trustpilot.com/review/hyundaipowerequipment.co.uk

Ordering Spare Parts

You can find the spare part you are looking for at **power-spares.co.uk**

Product Record

Information

As soon as you have purchased the machine, we recommend that you fill out the following. If you need to contact an authorised dealer or customer service for information on servicing, you may need to provide the following information.

Date Of Purchase:.....

Dealer Name:.....

Dealer Phone:.....

Model Number:.....

Serial / Batch Number:.....

Contact Us

Need Help? Talk To Our Experts

Our friendly aftersales team will be more than happy to help you.



Phone

Call our team on 01646 687 880



Email

aftersales@hyundaipowerproducts.co.uk



Online Live Chat

Go to www.hyundaipowerproducts.co.uk



Post

Genpower Ltd, Isaac Way, Pembroke Dock, Pembrokeshire, SA72 4RW.



Hyundai Support Website

Go to hyundaisupport.co.uk

HYUNDAI

POWER PRODUCTS



GENUINE PRODUCT OF
HYUNDAI CORPORATION

For Inquiries, Please Contact:
GENPOWER LTD
Isaac Way, London Road,
Pembroke Dock, UK, SA72 4RW.
T: +44 (0) 1646 687 880
E: info@hyundaipowerproducts.co.uk
www.hyundaipowerproducts.co.uk