

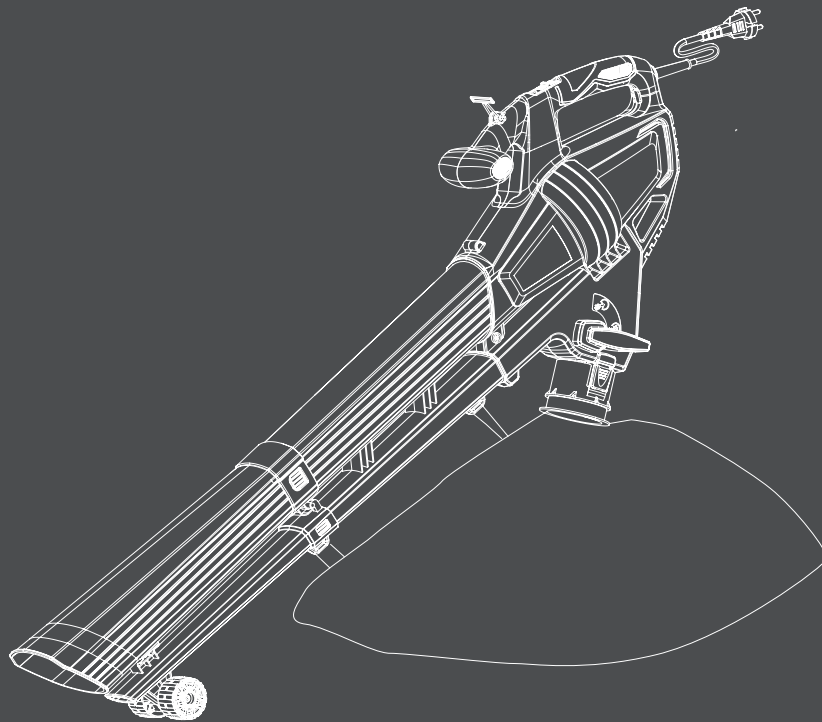
HYUNDAI
POWER PRODUCTS

3000W Leaf Blower & Vacuum HYBV3000E3

Instruction Manual



GENUINE PRODUCT OF
HYUNDAI CORPORATION



WARNING: Read the instructions carefully before use.

Iss: Mar/26

Contents Page

Introduction	3
Thank you for buying your Hyundai Product	3
Safety Information	4-14
Understand Your Machine	4
Personal Safety/Important Safety Information	4
Personal Safety/Important Safety Information (Continued).....	5
Inspect Your Machine	5
Work Area	6
During Use	7
Electricity.....	8-9
Double Insulated Appliances	9
Vibrations, Noise & Residual Risks.....	10
Intended Use.....	11
Personal Protective Equipment.....	12
Symbols On The Machine.....	13-14
Unboxing	15
In The Box/Features	16-17
Assembly	18-19
Assembly Overview.....	18
Connecting the Suction and Blower Tubes.....	18
Attaching the Collection Bag to Main Unit.....	19
Attaching the Shoulder Harness to Main Unit.....	19
Operation	20-24
Starting Procedure/Speed Selection.....	20
Stopping Procedure.....	21
Function Selection.....	22
Emptying the Collection Bag.....	23
Work Instructions - Blower Mode & Suction Mode.....	24
Maintenance & Care	25
General Maintenance	25
Storage.....	25
Replacement Parts/Spares Information	26
Technical Data	27
Troubleshooting	28
Recycling & Disposal	29
Declaration of Conformity	30
Useful Information	31
Product Record	32
Contact Us	33
Notes	34-35

Introduction

Thank you for buying your Hyundai Product

We work very hard to give all of our customers the best possible service. If you have any problems, before leaving negative feedback, please contact us to give us a chance to resolve the issue. We would be delighted if you left us positive feedback! Thank you for purchasing this product.

Important!



WARNING: READ THE INSTRUCTION BOOKLET THOROUGHLY BEFORE USING THE MACHINE. Keep for future reference and pass it on if the machine is loaned or sold to another user.

This manual has been produced by Hyundai Power Products and should be kept with the product. Please read and understand these instructions before you use your product. Failure to do this may result in personal injury or damage to the product.

The safety precautions and warnings are to ensure your safety and protect you from harm or damage to the product.

The information contained in this manual was accurate at the time of production, however HYUNDAI Power Products may make modifications to the product without notification.

Safety Information

Understand Your Machine

- **WARNING!** You must read these instructions carefully before operating the machine. Make sure that you are familiar with the controls and properly operate the machine. You must learn how to stop the machine quickly. If you do not follow the warnings and instructions, it may result in fire and/or serious injury. Make sure to save all warnings and instructions for future reference.
- Read this manual and labels affixed to the machine to understand its limitations and potential hazards.
- Be thoroughly familiar with the controls and their proper operation. Know how to stop the machine and disengage the controls quickly.
- If the unit is to be used by someone other than original purchaser, or is to be loaned, rented, or sold, always provide this manual and any needed safety training before operation. The user can prevent and is responsible for accidents or injuries that may occur to themselves, to other people, or to property.
- Do not force the machine beyond its limits. Use the correct machine for your application.
- Know how to stop the machine quickly in case of emergency. Understand the use of all controls.
- ALL MAINTENANCE other than that listed in this manual, should be carried out by professionally trained and certified personnel.
- When using this machine for the first time and before actual work, you **MUST** learn how to handle the machine from an experienced or skilled person.

Personal Safety/Important Safety Information

- **WARNING!** Never allow children or people unfamiliar with these instructions to use the product. Local regulations can restrict the minimum age of the operator.
- Keep children, pets, and other people not using the unit a sensible distance away from the work area. Be alert and shut off the unit if anyone enters work area. Keep children under the watchful care of a responsible adult.
- Stay alert, watch what you are doing and use common sense when operating the machine. Never operate the machine when unwell or tired, or if you have taken alcohol, medicine, drugs or any substances which may slow your reflexes and compromise judgment. A moment of inattention while operating the machine may result in serious personal injury.
- Appropriate Personal Protective Equipment (PPE), **MUST** be worn at all times when operating or repairing the machine. Always wear anti-slip and resistant work footwear and long trousers while using the machine. Do not use the machine when barefoot, wearing sandals or similar lightweight footwear. Do not wear chains, bracelets or clothing that is loose fitting or hanging ties or cords. Tie long hair back. Always wear protective earplugs. Loose clothes, jewellery, or long hair can be caught in moving parts. Protect eyes, face, and head from objects that may be thrown from the unit. Always wear safety goggles or safety glasses with side shields when operating.
- Always keep hands and feet away from all moving parts during operation. Moving parts can cut or crush body parts. Always keep hands and feet away from all pinch points.

Safety Information

Personal Safety/Important Safety Information (Continued)

- Do not touch parts that might be hot from operation. Allow parts to cool before attempting to maintain, adjust, or service.
- Do not overreach. Keep proper footing and balance at all times. This enables better control of the machine in unexpected situations. Extending your body too far can result in a loss of balance and you may fall which will result in injury.
- Never place any part of your body where it would be in danger if movement should occur during assembly, installation, and operation, maintenance, repairing or moving.
- Keep in mind that the operator or user is responsible for accidents, hazards or unexpected events involving the machine that occur to other people or their property. It is the responsibility of the user to assess the potential risk of the area where work is being carried out. The operator or user must take all necessary precautions to ensure their own safety and that of others, especially on slopes or rough, slippery and unstable ground.

Inspect Your Machine

- Check your machine before starting it. Keep guards in place and in working order. Make sure all components/fixtures are securely tightened.
- You must check the general condition of the machine before use.
- Never operate the machine when it is in need of repair or is in poor mechanical condition. Replace damaged, missing, or failed parts before using it. Keep the machine in safe working condition.
- Do not use the machine if the machine's switch does not turn off the machine when running. Any machine that can't be controlled with the switch is dangerous and must be replaced.
- Regularly check to see that keys and adjusting wrenches are removed from the machine area before starting it. A wrench or a key that is left attached to a rotating part of the machine may result in personal injury.
- If the machine should start to vibrate abnormally, stop the machine and check immediately for the cause. Vibration is generally a warning sign of trouble.
- Avoid accidental starting. Be sure the switch is off before transporting the machine or performing any maintenance or service on the unit. Transporting or performing maintenance or service on a machine with its switch on invites accidents.
- Do not tamper with or disable safety systems.
- Only use manufacturer-recommended attachments.
- Before using, always visually inspect to see that the tools are not worn out or damaged. Replace worn out or damaged elements and bolts in set to preserve balance.
- Keep the machine in good operating condition. Operating the machine in poor or questionable condition could result in serious injury.
- Be sure all safety devices are in working order and warning labels are in place. These items are installed for your safety.

Safety Information

Work Area

- You must only work in daylight or with good artificial light in good visibility conditions. Do not work at night, at times of heavy fog, or at any other times when your field of vision might be limited and it would be difficult to gain a clear view of the area.
- Keep people, children and animals away from the working area.
- Do not work in the rain, when there is a thunderstorm or lightning risk, at times of strong or gale force winds, or at any other times when the weather conditions might make it unsafe to use this product. If there is bad weather conditions, do not use the machine.
- Any liquid spilled on the floor may result in you slipping.
- DO NOT operate power tools in explosive atmospheres, such as in the presence of flammable liquids, gases or dust. Power tools may create sparks, which may ignite the dust or fumes.

Safety Information

During Use

IMPORTANT: This leaf blower is intended to blow/vacuum DRY LEAVES AND TWIGS ONLY. Vacuuming wet debris can cause shorting of the motor, and can also clog the tube and collection bag.

NOT FOR USE for collecting wet debris.

- Do not operate the machine in confined areas where there may be a risk of crushing the operator between the machine and another object.
- Never attempt to make any adjustments, while the machine is running.
- You must switch off the machine:
 - Before checking or working on the machine.
 - When transporting the machine.
 - Whenever you leave the machine unattended.
 - If the machine starts to vibrate abnormally.
- **WARNING!** If something breaks or an accident happens whilst working, you must turn off the machine immediately and move the machine away to prevent further damage. If an accident happens with injuries or third parties are injured, carry out the first aid measures most suitable for the situation immediately and contact the medical authorities for any necessary health care. Carefully remove any debris that might cause damage or harm persons or animals should it not be seen.
- Never operate the machine without the defective guards or shields, or without safety devices, or if the cord is damaged or worn.
- Always make sure that the power cord is not in the way of your work.

Safety Information

Electricity (Where Applicable)

DANGER : ELECTRICITY CAN KILL – NEVER WORK ON LIVE / ENERGISED EQUIPMENT.



- Prior to carrying out any maintenance work you **MUST** identify electrical isolation methods and isolate all electrical supplies.
- Prior to use and with all electrical supplies isolated, you **MUST** check all electrical cables, plugs and connectors for the following:

- Are intact and have no signs of damage, to include but not limited to bare wires, chaffing, cuts and loose wiring.
 - If there are any signs of damage, the damaged item **MUST** be taken out of service until the damage has been repaired by a certified/authorised electrical professional.
 - All trailing cables should be routed so as not to cause any kind of trip hazard.
 - **NEVER** work on or near electricity with wet hands, wet clothing and wet gloves.
-
- Power tools plug must match the outlet. Never modify the plug in any way. **DO NOT** use any adapter plugs with earthed (grounded) power tools. Unmodified plugs and matching outlets will reduce risk of electric shock.
 - **DO NOT** expose this power tool to rain or wet conditions. Water entering a power tool will increase the risk of electric shock. **DO NOT** abuse the power cord. Never use the cord for carrying, pulling or unplugging the power tool. Keep the cord away from heat, oil and sharp edges or moving parts. Damaged or entangled cords increase the risk of electric shock. When operating a power tool, use an extension cord suitable for outdoor use. Use of a cord suitable for outdoor use reduces the risk of electric shock.
 - **IMPORTANT:** Make sure that the electric circuit is fused, and that the power, voltage and frequency of the motor is supported by your mains supply. Also, make sure that your power supply is earthed. Connect your machine to earth. Never open the ON/OFF switchbox. However, if it should become necessary to do so, contact a qualified electrician. Make sure that you will never touch live contacts, specifically when you plug or unplug your machine. This machine and its power cord must never get into contact with water.
 - Avoid body contact with earthed or grounded surfaces such as pipes, radiators, ranges and refrigerators. There is an increased risk of electric shock if your body is earthed or grounded.

Safety Information

Electricity (Continued)

- To prevent electric shock, use only with an extension cord suitable for outdoor use. For additional protection, the installation of a residual current device (RCD) having a rated residual operating current not exceeding 30mA is advisable.
- Before use, check that the extension cord is in good condition. When using an extension cord, make sure to use one heavy enough to carry the current your product will draw. An undersized cord will cause a drop in line voltage resulting in loss of power and overheating.
- Do not allow any part of the machine to make contact with water while it is in operation. If the appliance becomes wet while turned off, wipe dry before starting. Do not touch the appliance or its plug with wet hands or while standing in water. Wearing rubber boots offers some protection.
- Before use, check the supply and extension cord for signs of damage or aging. If the cord becomes damaged during use, disconnect the cord from the supply immediately. If the supply cord is damaged, it must be replaced by the manufacturer or a qualified person in order to avoid a hazard.

Double-Insulated Appliances

In a double-insulated appliance, two systems of insulation are provided instead of grounding. No grounding means that it is already provided on a double-insulated appliance. Servicing a double-insulated appliance requires extreme care and knowledge of the system, and should be performed only by qualified service personnel. Replacement parts for a double-insulated appliance must be identical to the parts they replace.

Safety Information

Vibrations (Where Applicable)

- Prolonged use of hand held (operated) machines will cause the user to feel the effects of/from vibrations. These vibrations can lead to white finger (Raynaud's phenomenon) or carpal tunnel syndrome. This condition reduces the ability of the hand to feel and regulate temperature, causing numbness and heat sensations and may cause nerve damage and circulatory tissue death.
- Not all factors that lead to white finger disease are known, but cold weather, smoking and other diseases that affect blood vessels and blood circulation as well as large and long-lasting impact of shocks are considered factors in the formation of white finger. Note the following to reduce the risk of white finger and carpal tunnel syndrome;
- Wear gloves and keep your hands warm.
- Take regular breaks.
- All of the above precautions may help reduce the risk of white finger disease but not rule out the carpal tunnel syndrome. Long-term and regular users are therefore recommended to observe the condition of your hands and fingers. Seek medical attention immediately if any of the above symptoms should occur.

Noise (Where Applicable)

- The operating noise of the machine can damage your hearing. When wearing protection such as earplugs or ear defenders to protect your hearing. Long-term and regular users are advised to have hearing checked regularly. Be especially vigilant and cautious when wearing ear protection because your ability to hear alarm warnings will be reduced.
- Noise emissions for this equipment is unavoidable. Carry out noisy work at approved times and for certain periods. Limit the working time to a minimum. For your personal protection and protection of people working nearby it is also advisable for them to wear hearing protection.



- See Certificate of Conformity section for Outdoor Noise declaration of conformity.

Residual Risks

Even when tool is used as prescribed it is not possible to eliminate all residual risk factors. The following hazards may arise in connection with the tool's construction and design:

1. Damage to lungs if an effective dust mask is not worn.
2. Damage to hearing if effective hearing protection is not worn.

Health defects resulting from vibration emission if the power tool is being used over longer period of time or not adequately managed and properly maintained.

!WARNING! This machine produces an electromagnetic field during operation. This field may under some circumstances interfere with active or passive medical implants. To reduce the risk of serious or fatal injury, we recommend persons with medical implants to consult their physician and the medical implant manufacturer before operating this machine.

Safety Information

Intended Use

The HYBV3000E3 is a corded leaf blower/vacuum that is powered by an electric 3000W HYUNDAI motor.

This machine is manufactured according to the latest safety requirements. Every precaution is only effective when it's followed exactly.

Intended Use

This machine is designed and manufactured for blowing and vacuuming leaves, light debris such as twigs and garden waste.

This machine is intended for use in environments with a maximum ambient temperature of 32°C.

User Types

This machine is intended for use by consumers, i.e. non professional operators. The machine is intended for "DIY" and domestic use only.

Improper Use

Any other usage not in keeping with the above mentioned ones may be hazardous and harm persons and/or damage things. Examples of improper use may include, but are not limited to:

- Using to move or vacuum liquids
- Directing the Air Flow towards persons and/or animals
- Within a household or accommodated area

Before Use

WARNING! Do not use the product in potentially explosive atmospheres. Use the product only in ambient temperatures between 10 - 40° C.

Disconnect the product from the power source before making any settings, mounting or replacing accessories and carrying out maintenance.

Safety Information

Personal Protective Equipment

Appropriate Personal Protective Equipment (PPE), MUST be worn at all times when operating or repairing the machine. No protective equipment can ensure 100% protection.

When selecting PPE, make sure it's CE marked and it suits the user in terms of size, fit, etc. If more than one item of PPE is worn at the same time, make sure they can be used together, e.g. wearing safety glasses may disturb the seal of a respirator, causing air leaks.



Hand Protection Must Be Worn

Protective electrically non-conductive gloves are highly recommended when working.



Foot Protection Must Be Worn

Non-skid heavy duty footwear are highly recommended when working.



Hearing Protection Must Be Worn

Suitable safety hearing protection is recommended.



Eye Protection Must Be Worn

Always wear safety glasses/goggles and/or face shields. Everyday eyeglasses have only impact resistant lenses; they are not safety glasses/goggles.




Protective Clothing Must Be Worn

Do not wear loose clothing, gloves, scarfs, neckties or jewellery (rings, wrist watches), which can be caught in moving parts.

Safety Information







! Symbols On The Machine

We have provided safety messages in this manual and on the machine. This information alerts you to potential hazards that could hurt you or others. Please read these messages carefully. However, we may not have listed all of the possible hazards, you must also use your own judgement.

Symbol	Description	Symbol	Description
	Protection category II. (Double Insulation)		Disconnect the mains plug if the cable is damaged or entangled.
	SWITCHING OFF: Disconnect the mains plug before carrying out cleaning and maintenance work.		Wear ear protection.
	Wear safety goggles.		Do not expose to rain.
	Keep others away.		Keep your hands away from the outlet of the suction or blower pipe during operation.
	Leaf vacuums contain rotating impellers that can cause serious injury. Never put your hand into the opening on the motor unit during operation.		This symbol refers to useful information on assembly or usage.
	There is a risk of stones or other parts being thrown out of the leaf vacuum. Keep others and pets away at a safe distance.		To reduce the risk of injury, the user must read and understand owner's manual before using this product.
	The UKCA (UK Conformity Assessed) marking is a UK product marking that is required for goods being placed on the market in Great Britain (England, Wales and Scotland).		This product complies with the European directives and an evaluation method of conformity for these directives was done.

Safety Information

Symbols On The Machine (Continued)

Symbol	Description	Symbol	Description
	The guaranteed sound emission level is 103dB (A).		Air Speed.
	Compression.		Suction Volume.
	Suction Marking.		The 'GS' symbol stands for verified safety. Products that are marked with this symbol meet the requirements of the German product safety law (ProdSG).

Unboxing

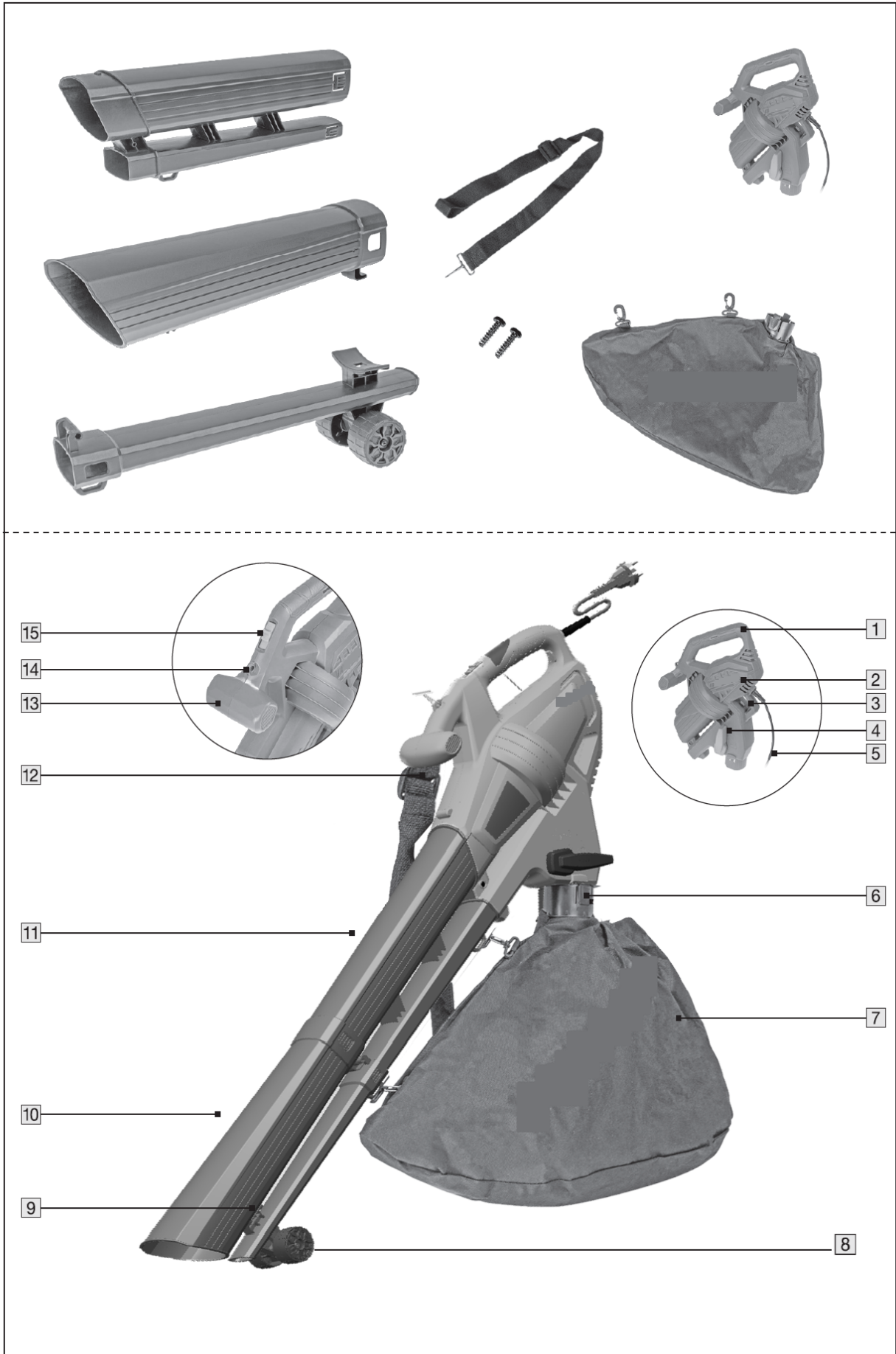
! WARNING: Unboxing and assembling the machine should be done on a flat surface with enough room. Disposal of the packaging should be done in accordance with the local regulations in force.

! WARNING: Some of the packaging material may be harmful to children. Keep out of reach of children.

1. Carefully remove the product from the packaging and examine it for any sign of damage caused during shipping.
2. Lay the contents out and check them. If any part is damaged or missing, you must not use the machine. Contact HYUNDAI POWER PRODUCTS immediately.
3. You must keep the packaging material in case the machine needs to be returned or repaired.
4. Ensure that you have all the accessories and tools you need for assembly and operation including the suitable personal protective equipment.

We recommend that you fill out the information in the 'Product Record' section. If you need to contact an authorised dealer or customer service, you may need to provide this information.

In The Box/Features - Diagram



In The Box/Features - List of Components/Features

1. **Handle** - Keep a firm grip on this while operating the machine.
2. **Motor Unit** - This is where the electric motor and fan blade is housed.
3. **Cable Strain Relief** - This prevents the cable from being stretched and damaged during operation.
4. **Function Selection Lever** - Use this to select either the blower function or vacuum function.
5. **Power Cord (10m)**
6. **Mulch Outlet**
7. **Collection Bag**
8. **Wheels**
9. **Blower Pipe (Lower)**
10. **Suction Pipe (Lower)**
11. **Upper Piece of Suction and Blower Pipe**
12. **Shoulder Strap** - Place this over your shoulder for safe and comfortable use.
13. **Front Handle** - Keep a firm grip on this while operating the machine.
14. **Shoulder Harness Attachment Point**
15. **On/Off Switch**

Also Included:

2 x Screws
User Manual

Assembly

Assembly Overview

There are 3 steps to the assembly:

STEP 1: Connecting the Suction and Blower Tubes

STEP 2: Attaching the Collection Bag to Main Unit

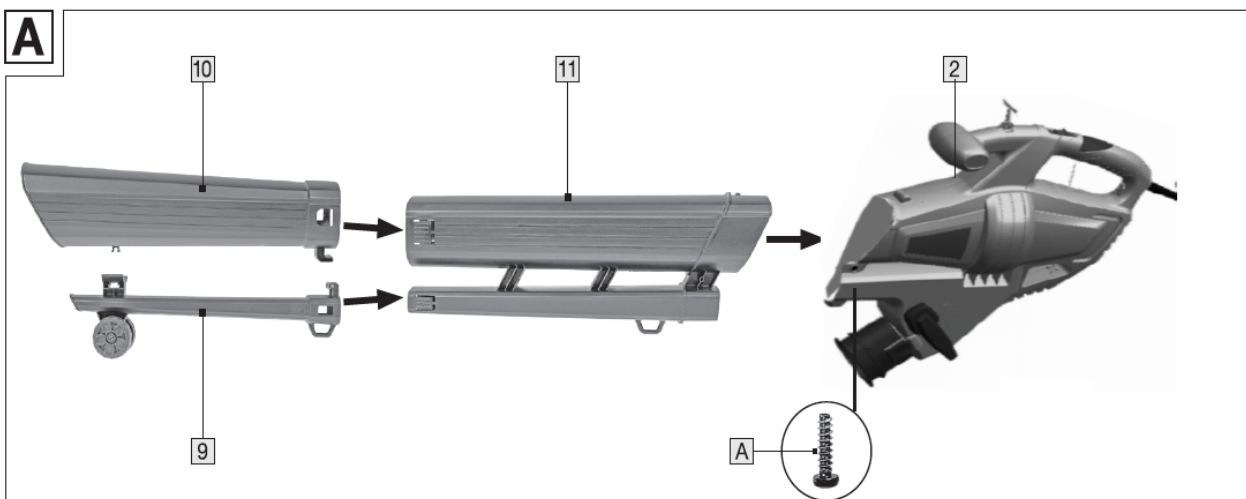
STEP 3: Attaching the Shoulder Harness to Main Unit

STEP 1: Connecting the Suction and Blower Tubes

! WARNING: Ensure the machine is disconnected from the power supply before assembling the unit.

Use Figure A detailed at the bottom of this page in conjunction with the instructions below.

1. Insert the **Upper Piece of Suction and Blower Pipe (11)** into the opening of the **Main Unit (2)**.
 - Ensure that the pins of both pipes are securely locked into their designated grooves within the main unit's housing.
2. Secure the Upper Piece of Suction and Blower Pipe to the Main Unit with the two screws provided.
 - Insert the screws (A) in the left and right sides of the main unit.
3. Insert the lower part of the Blower Pipe (9) into the narrow outlet of the Upper Blower Pipe.
4. Insert the lower part of Suction Pipe (10) into the large outlet of the Upper Suction Pipe.
5. Clip the lower part of the Suction Pipe into the support of the Blower Pipe.



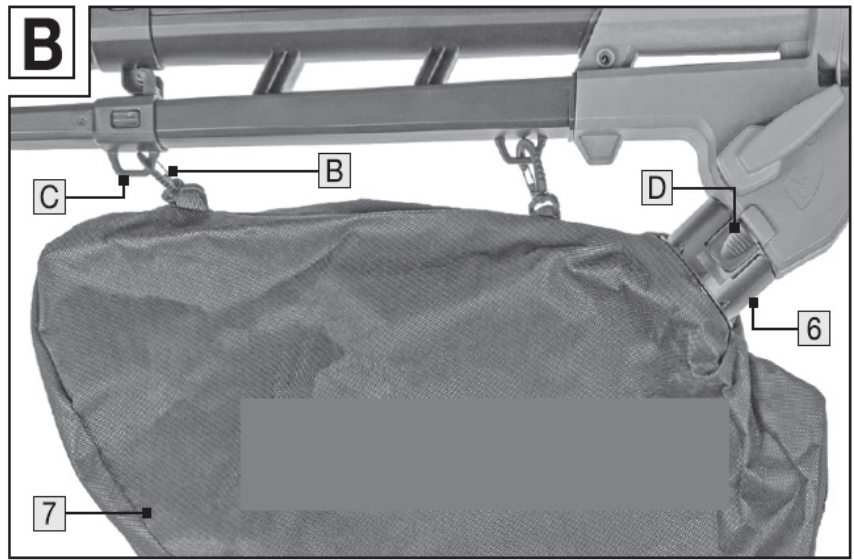
Assembly

STEP 2: Attaching the Collection Bag to Main Unit

1. Slide the **Collection Bag (7)** onto the **Mulch Outlet (6)**.
- Ensure the Collection Bag is firmly secured to the Mulch Outlet. You will hear an audible click once properly secured.
2. Fasten the **Snap Hooks (B)** onto the **Attachment Points (C)** located on the Blower Pipe.

NOTE:

To remove the collection bag, detach the Snap Hooks from the Attachment Points, press in the locks (D) on both sides of the top clasp and release from the Mulch Outlet.



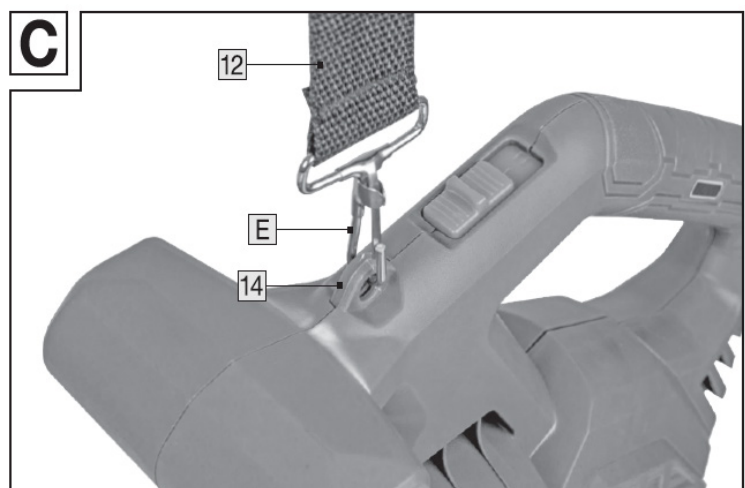
STEP 3: Attaching the Shoulder Harness to Main Unit

1. Attach the **Shoulder Harness (12)** to the Main Unit by fastening the **Snap Hook (E)** to the **Shoulder Harness Attachment Point (14)**.
2. In readiness for operation, place the Shoulder Harness over your shoulder.
3. Adjust the length of the belt such that the belt holder is at hip height.

IMPORTANT:

ALWAYS wear the Shoulder Harness when working. **ALWAYS** switch off the machine before loosening and removing the strap from your shoulder.

It is recommended you place the Shoulder Harness only over one shoulder and not diagonally across your chest. This is to enable quick removal should the situation arise.



Operation

Starting Procedure/Speed Selection

⚠ WARNING: Before operating this machine, you **MUST** read and fully understand the manual entirely.

⚠ WARNING: Ensure the electric supply is switched off before connecting it to the leaf blower/vacuum. Only switch the mains supply on when the machine has been securely connected.

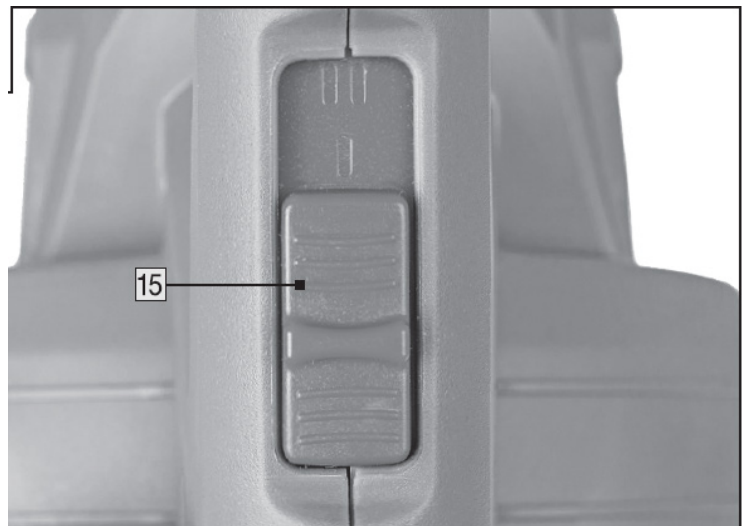
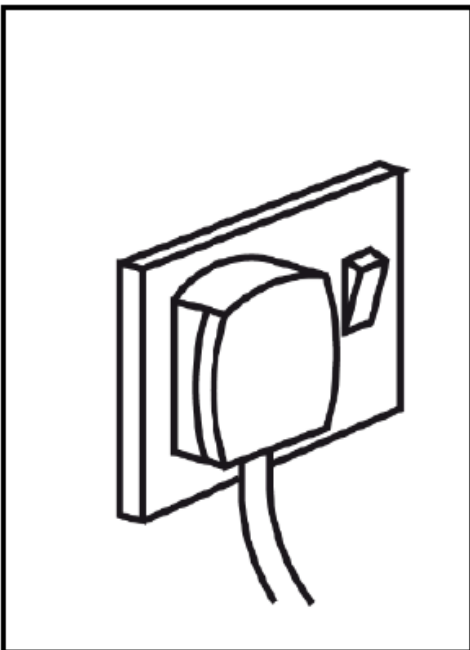
IMPORTANT:

This machine provides you with two speed settings:

Position I - Low Air Speed

Position II - High Air Speed

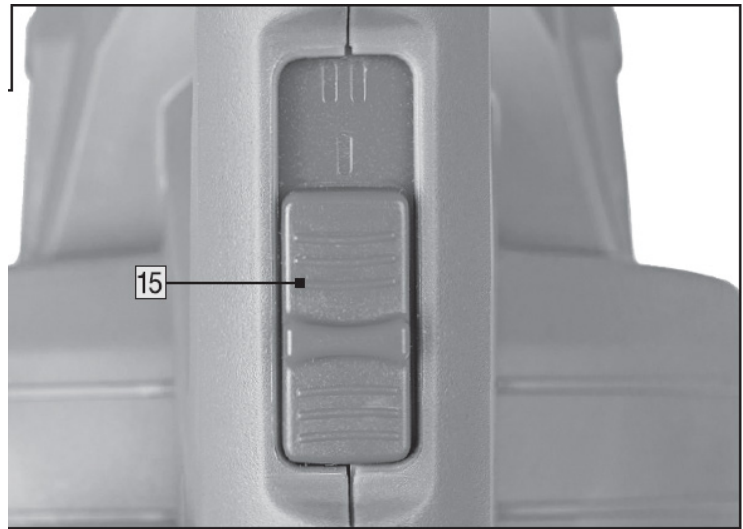
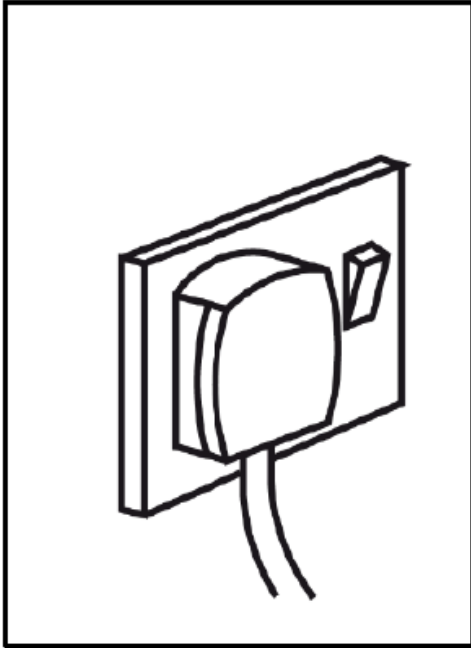
1. Connect the machine to the mains supply.
2. Pick up the machine by its handle and place the shoulder strap over your shoulder. Make sure the strap is suitably tightened to sit firmly on your shoulder.
3. Slide the **On/Off Switch (15)** to the **I** position for low speed or the **II** position for high speed.



Operation

Stopping Procedure

1. To stop the machine, slide the **On/Off Switch** to the **O** position.
2. Switch off the mains supply and disconnect the machine's plug from the socket.



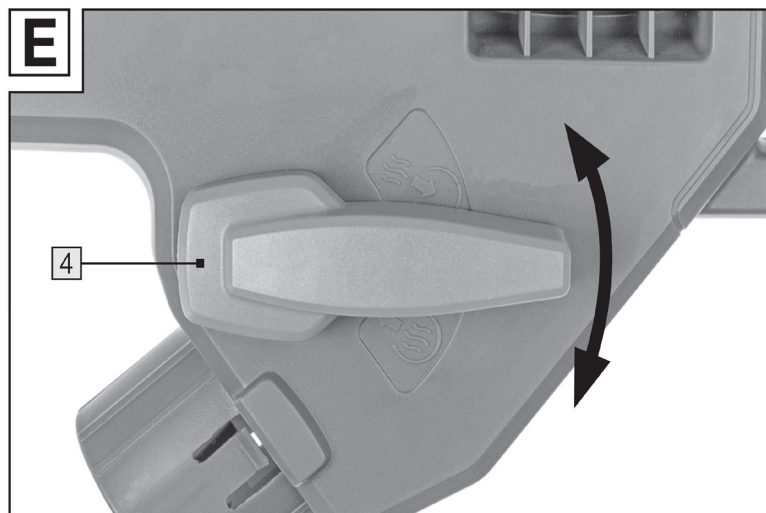
Operation

Function Selection

The HYBV3000E3 is both a Blower and Vacuum. To change function, move the Function Selector Lever either up or down. Ensure you have selected the desired function before you turn the machine on.

! WARNING: Do not press and change the function selection lever during operation. You must select your intended function prior to switching the machine on.

To select either the Suction or Blower function, move the Lever (4) in the direction of the desired setting's symbol, as displayed in Figure E below.



! IMPORTANT: DO NOT operate the machine with the Function Selection Lever between function modes. ONLY operate the machine with the lever fully in the position of the selected function.

If the lever becomes difficult to move or stuck, switch the machine off and disconnect the power from the mains supply. Remove the collection bag and check the Mulch Outlet to see whether the mechanism within the Main Unit has become blocked with debris. Remove the blockage if necessary.

Operation

Emptying the Collection Bag

When the collection bag is full, the suction performance reduces significantly. Empty the collection bag if it is full, or the performance of the machine decreases.

1. Turn off the machine and wait for the impeller to stop. (Refer to the Page 21 for Stopping Procedure).
2. Disconnect the power cord from the mains supply.
3. Remove the collection bag, open the zipper, empty the contents and re-attach back onto the Mulch Outlet. (Refer to procedure illustrated on Page 19).

Operation

Work Instructions

- When working, avoid hitting the product against hard objects that may cause damage.
- Guide the machine with the wheels in contact with the ground.
- Always hold machine using both hands during operation. To do this, use the Handle on the Main Unit and Front Handle.
- DO NOT vacuum solid objects such as stones, branches or branch sections as these could damage the product, especially the shredder. Damage and repairs of this nature are not covered by the warranty.

Blowing Mode

- For optimal results, maintain a distance of between 5 -10cm from the ground when using the blower
- Point the air jet away from yourself. Be careful not to blow up heavy objects that could be blown across an area and cause injury and/or damage. ALWAYS ensure the machine is being operated a safe distance away from other people.
- It is recommended to start working with the maximum blowing output to quickly pile the leaves lying around. Then select a lower blowing output to compact the previously collected pile of leaves.
- Before blowing, loosen any leaves stuck to the ground using a broom or rake.

Suction Mode

- Make sure that large quantities of leaves are not vacuumed in at the same time. This will prevent the suction pipe from becoming clogged and impeller being blocked with debris.

Maintenance & Care

General Maintenance

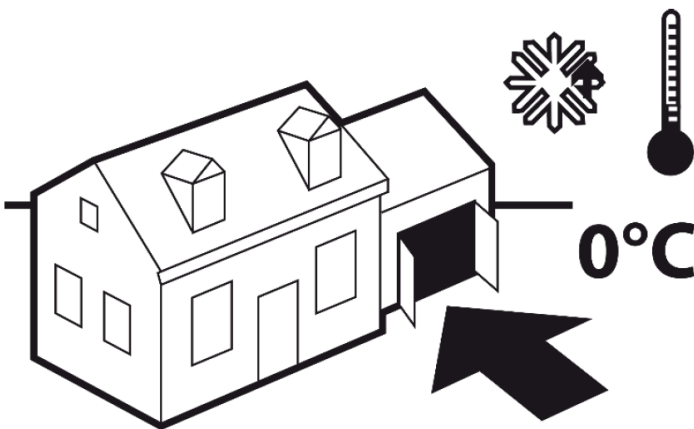
⚠ WARNING : Turn OFF the machine, allow all moving parts to come to a complete stop, and disconnect the power cord before maintaining the machine. You need to wear proper clothing and protective gloves whenever your hands are at risk.

- Keep all nuts, bolts and screws tight to be sure the machine is in a safe working condition.
- Replace worn or damaged parts for safety. Only use manufacturer-recommended parts and accessories.

Storage

⚠ Keep the machine stored in a dry, level area away from damp, moisture and rain fall. Allow the machine to cool down before storing.

- Make sure the machine is clean and dry before storing. You can keep the cable tidy by wrapping it around the hook on the rear of the machine. You can also store the gun and accessories in the slots at the rear of the machine.
- Ensure the machine is stored in a position, where any persons cannot step on, to attempt to reach items up high, due to risk of movement.
- DO NOT store the machine near an ignition source, such as a wood stove, gas or electric heater, or an appliance or heater with a pilot light.
- Store the machine out of reach of children or anyone who is not familiar with operation.
- DO NOT stack other items on top of the machine when in storage.
- Make sure the machine is stored away from direct sunlight. Store indoors or in a safe, frost-free area during severe weather and winter months.



Replacement Parts/Spares Information

POWER SPARES



No Hassle Returns



Same Day Dispatch*



Over 10,000 Spare Parts



QR Code - Scan the QR code for a direct link to our website

Our Website : power-spares.co.uk

Call us : 01646 404406

Email us : sales@power-spares.co.uk

To maintain your machine in peak operating condition, proper maintenance and care are crucial. Some machines have consumable parts that will need replacement to ensure they continue operating at their full potential. PowerSpares provide manufacturer parts for all your machines, ensuring they remain in peak condition.

About Power Spares

Power-Spares has your back if you damage your lawn mower blade, find your spark plugs not sparking, or snap your recoil. Power-Spares operates under the trading name of Genpower Limited.

As part of the Genpower family, Power-Spares offers you the expertise, efficiency, and quality assurance of a large organisation. We leverage the latest warehousing, distribution, customer service, and inventory management technology to ensure you receive your parts as quickly as possible.

With extensive stock-holding of spare parts in our UK warehouses, Power-Spares is ready to assist you promptly when your machine needs repair. We're Committed to help you get back up and running as quickly as possible.

Technical Data

Machine Specification

Model	HYBV3000E3
Voltage	230 - 240V ~ / 50Hz
Power	3000W
Rated Speed (Motor)	12000rpm (Power Stage I) 15000rpm (Power Stage II)
Air Velocity	max. 270km/h
Suction Volume	max. 12m ³ /min
Shredding Rate/Compaction	10:1
Collection Bag Volume	34L
Sound Pressure Level (LpA)	Suction: 87.4dB (A) Blower: 82.3dB (A)
Sound Power Level (LwA)	Suction: 99.3dB (A) Blower: 95.3dB (A)
Guaranteed Sound Emission Level (LpA)	103dB (A)
Vibration Level	Suction Function (Front Handle): 2.166 m/s ² Suction Function (Main Unit Handle) 1.177 m/s ² Blower Function (Front Handle): 2.424 m/s ² Blower Function (Main Unit Handle) 1.507 m/s ²
Gross Weight (Kg)	4.05
Net Weight (Kg)	3.45

Troubleshooting

Problem	Possible cause	Rectification
The product does not start.	Power cord with mains plug 5 is damaged.	Check the power cord with mains plug.
	Fuse tripped.	Check the fuses in the fuse box.
	Switch is not working.	Get the function selector switch 4 or On / Off switch 15 replaced by a service centre.
Material is not properly vacuumed (reduced suction capacity).	Leaf vacuum is clogged or stuck	Remove and empty the collection bag 7 . Remove dirt, other solid materials or mud that could prevent the mechanism in the mulch outlet 6 from working properly (see also chapter "Removing clogs and blockages").
	Collection bag is full.	Empty the collection bag 7 .
	Speed too low.	Increase the speed (see chapter "Switching on and off").

Recycling & Disposal

Recycling & Disposal

We do not offer a takeback scheme for the recovery of Waste Electrical Electronic Equipment (WEEE) & Batteries. Instead the responsibility to dispose of WEEE and/or Batteries is passed onto you by us.

So when it becomes necessary to dispose of your machine you must take it to your local Civic Amenity Site. For further information please contact your local Authority for disposal advice.

You MUST make sure that all unused oil and fuel is disposed of correctly either beforehand or at your local Civic Amenity Site.

- Under NO circumstances must any fuel or oil be put down any drains.
- Certain products contain WEEE waste which should not be disposed of in your domestic waste.
- You MUST recycle WEEE in accordance with your local authority or recycling centre.
- Certain products contain batteries which should not be disposed of in your domestic waste.
- You MUST recycle batteries in accordance with your local authority or recycling centre.
- Unwanted packaging and materials should be stored and taken to a recycling centre so it can be disposed of in a manner which is compatible with the environment.

We are a Member of the VALPAK National Compliance Scheme and our registration number is RM08660. For further information about disposal please contact your Local Authority.

You can also get more advice and guidance about recycling at the following website <http://www.recycle-more.co.uk>

Should you pass this product on to another user either sold or loaned, you MUST pass on this user manual. This will make sure that all other users can use and maintain this machine safely.

Environmental Protection

1. Environmental protection should be a priority of considerable importance when using the machine, for the benefit of both social coexistence and the environment in which we live. Try not to cause any disturbance to the surrounding area.
2. You must comply with local regulations and provisions for the disposal of packaging, oils, fuel, filters, damaged parts or any elements which have a strong impact on the environment. This waste must not be disposed of as normal waste. It needs to be separated and taken to specified waste disposal centres where the material will be recycled.
3. You must comply with local regulations for the disposal of waste materials after mowing.
4. When disposing, do not pollute the environment with the machine, but hand it over to a disposal centre, in accordance with the local laws in force.

EU Declaration of Conformity

Importer and Authorised Representative

Genpower Ltd
Isaac Way, Pembroke Dock, SA72 4RW

Country of Origin: China
Description: 3000W Leaf Blower & Vacuum
SKU Code: HYBV3000E3
Date of Issue: 16/1/2026

The following declaration is issued under the sole responsibility of Genpower Ltd.

We hereby declare that the machine detailed in this declaration complies to all the relevant provisions of the following EC directives and regulations.

Regulations and Directives of Compliance

- 2006/42/EC Machinery Directive
- 2014/35/EU Low Voltage Directive
- 2014/30/EU EMC Directive
- 2011/65/EU RoHS Directive
- 2019/1021/EU Persistent Organic Pollutants
- 1907/2006/EC Registration, Evaluation, Authorisation and Restriction of Chemicals

REFERENCES TO THE RELEVANT HARMONISED SAFETY STANDARDS USED OR REFERENCES TO THE OTHER TECHNICAL SPECIFICATIONS IN RELATION TO WHICH CONFORMITY IS DECLARED:

- EN 61000-3-3: 2013+ A1:2019+A2:2021
- EN IEC 55014-1: 2021
- EN IEC 61000-3-2: 2019+A1:2021
- EN IEC 55014-2: 2021
- EN 60335-1: 2012 + A11: 2014 + A13: 2017 + A1: 2019 + A14: 2019 + A2: 2019+A15:2021
- EN 50636-2-100: 2014
- BS 1363-1:2016+A:2018
- EN 50636-2-100: 2014
- EN 62233: 2008

Statement of Declaration

We the importer and authorised representative of the product described confirm conformity within the provisions of applicable regulations and directives listed within this document.

Signed on Behalf of Genpower Ltd

Identification of Manufacturer: Genpower Ltd, Isaac Way, Pembroke Dock, Pembrokeshire, SA72 4RW, UK.

Name and address of technical documentation holder and EU distributor: Genpower Ltd, 131 Boulevard Pereire, 75017 Paris, France.

Place of Issue: Genpower Ltd
Signatory Name: Roland Llewellyn
Position: Managing Director



Useful Information

Check Out Our YouTube Channel

Our videos on YouTube include:

- Unboxing
- Assembly of your machine
- How to service your machine
- Products in use
- 'How To' videos
- Product features

Go to YouTube and search '**Hyundai Power Products**'.

Warranty

Proof of purchase will be required before you make a warranty claim. Full warranty terms and conditions can be found on the HYUNDAI POWER PRODUCTS website:

www.hyundaipowerproducts.co.uk

Manual Updates

Our manuals are constantly being reviewed and updated. Should you find an error, omission or something unclear, please contact us for assistance. We reserve the right to make any modifications without prior notice whenever necessary. Our latest manuals are also placed online. All our manuals can be downloaded at:

www.hyundaipowerproducts.co.uk

Returning Your Product

If you are returning your product, please contact the dealer for their returns policy

Leaving A Review

We work very hard to give all of our customers the best possible service. If you have any problems, before leaving negative feedback, please contact us to give us a chance to resolve the issue. We would be delighted if you left us positive feedback! To leave a review, please go to:

uk.trustpilot.com/review/hyundaipowerequipment.co.uk

Ordering Spare Parts

You can find the spare part you are looking for at **power-spares.co.uk**

Product Record

Information

As soon as you have purchased the machine, we recommend that you fill out the following. If you need to contact an authorised dealer or customer service for information on servicing, you may need to provide the following information.

Date Of Purchase:

Dealer Name:

Dealer Phone:

Model Number:

Serial/Batch Number:

Contact Us

Need Help? Talk To Our Experts

Our friendly aftersales team will be more than happy to help you.



Phone

Call our team on 01646 687 880



Email

aftersales@hyundaipowerproducts.co.uk



Online Live Chat

Go to www.hyundaipowerproducts.co.uk



Post

Genpower Ltd, Isaac Way, Pembroke Dock, Pembrokeshire, SA72 4RW.



Hyundai Support Website

Go to hyundaisupport.co.uk

HYUNDAI

POWER PRODUCTS



GENUINE PRODUCT OF
HYUNDAI CORPORATION

For Inquiries, Please Contact:
GENPOWER LTD
Isaac Way, London Road,
Pembroke Dock, UK, SA72 4RW.
T: +44 (0) 1646 687 880
E: info@hyundaipowerproducts.co.uk
www.hyundaipowerproducts.co.uk

Imported / Distributed by Genpower Ltd for
the United Kingdom & Ireland

Licensed by Hyundai Corporation Holdings, Korea