

# HYUNDAI

POWER PRODUCTS

## PETROL LAWN MOWER HYM18150SPX

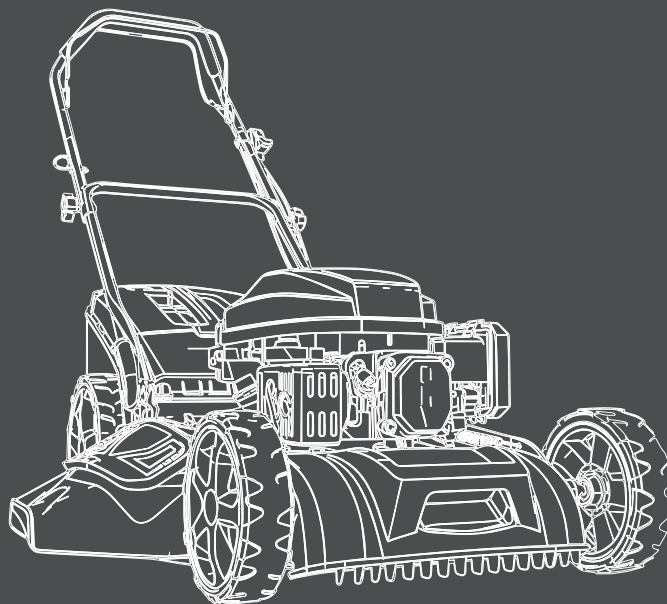
Instruction Manual



Scan for website  
& alternate languages



GENUINE PRODUCT OF  
HYUNDAI CORPORATION



WARNING: Read the instructions carefully before use.

Iss:Dec/25

# Contents Page

<b>Contents Page</b> .....	<b>2</b>	<b>Lawn Care</b> .....	<b>26</b>
<b>Introduction</b> .....	<b>3</b>	General Mowing Tips .....	26
<b>Safety Information</b> .....	<b>4</b>	How Often Should I mow ? .....	26
Understand your Machine .....	4	<b>Replacement &amp; Spares Info</b> .....	<b>27</b>
Personal Safety .....	4	General Cleaning .....	27
Personal Safety (Continued) .....	5	<b>Maintenance &amp; Care</b> .....	<b>28</b>
Inspect your Machine .....	5	General Maintenance .....	28
Work Area .....	6	Storage .....	28
During Use .....	7	Maintenance Schedule .....	29
Carbon Monoxide .....	8	Long Term Storage .....	29
General Safety .....	9	Preparation to re-use after storage .....	29
Spilled Fuel .....	9	Blade Replacement .....	30
Fuel Safety .....	9	Air Filter Maintenance .....	31
Electrical Safety (Where Applicable) .....	10	Changing Engine Oil .....	31
Battery Safety .....	10	Spark Plug Maintenance .....	32
Storing Fuel .....	11	<b>Troubleshooting</b> .....	<b>33</b>
Fueling/De-Fueling .....	11	<b>Contact</b> .....	<b>34</b>
Vibrations (Where Applicable) .....	12	<b>Recycling &amp; Disposal</b> .....	<b>35</b>
Noise (Where Applicable) .....	12	WEEE Information .....	35
Personal Protective Equipment .....	13	Environmental Protection .....	35
Symbols on the Machine .....	14	<b>Technical Data</b> .....	<b>36</b>
Intended Use .....	15	Specification Table .....	36
<b>Unboxing</b> .....	<b>16</b>	<b>Declaration of Conformity</b> .....	<b>37</b>
<b>Features</b> .....	<b>17</b>	<b>Useful Information</b> .....	<b>38</b>
<b>Assembly</b> .....	<b>18</b>	Check Out Our YouTube Channel .....	38
Handle Assembly .....	18	Warranty .....	38
Grass Collection box Assembly .....	19	Manual Updates .....	38
Mulching Plug .....	19	Returning Your Product .....	38
Side discharge chute .....	19	Leaving A Review .....	38
Checking Oil Level .....	20	Ordering Spare Parts .....	38
Filling with Fuel .....	21	<b>Product Record</b> .....	<b>39</b>
Cutting Height Adjustment .....	22	<b>Notes</b> .....	<b>40</b>
Starting and Stopping .....	23	<b>French Language Manual</b> .....	<b>41-80</b>
Starting with E-Start .....	23		
Starting with Recoil .....	24		
Stopping .....	24		
Solving a "Flooded Engine" .....	24		
Self Propulsion .....	25		
Emptying Grass Bag .....	25		
.....			

# Introduction

## Thank you for buying your Hyundai Product

We work very hard to give all of our customers the best possible service. If you have any problems, before leaving negative feedback, please contact us to give us a chance to resolve the issue. We would be delighted if you left us positive feedback! Thank you for purchasing this product.

### **IMPORTANT!**



#### **WARNING: READ THE INSTRUCTION BOOKLET THOROUGHLY BEFORE USING THE MACHINE**

Keep for future reference and pass it on if the machine is loaned or sold to another user.

This manual has been produced by Hyundai Power Products and should be kept with the product. Please read and understand these instructions before you use your product. Failure to do this may result in personal injury or damage to the product.

The safety precautions and warnings are to ensure your safety and protect you from harm or damage to the product.

The information contained in this manual was accurate at the time of production, however HYUNDAI Power Products may make modifications to the product without notification.

These are the original product instructions. This document is part of the product; retain it for the life of the product, passing it on to subsequent holders. Read this manual in full before attempting to assemble, operate or maintain this product.

This manual describes the purpose of the product and contains all the necessary information to ensure its correct and safe use. Following all the instructions and guidance in this manual will ensure the safety of both the product and the operator and increase the lifespan of the product.

All photographs and drawings within this manual are to help illustrate correct operation of the product. Every effort has been made to ensure the information contained in this manual is accurate. However, we reserve the right to amend this document without prior warning. Always use the latest version of the product manual.

# Safety Information

## Understand your Machine

- **WARNING!** You must read these instructions carefully before operating the machine. Make sure that you are familiar with the controls and properly operate the machine. You must learn how to stop the machine quickly. If you do not follow the warnings and instructions, it may result in fire and/or serious injury. Make sure to save all warnings and instructions for future reference.
- Read this manual and labels affixed to the machine to understand its limitations and potential hazards.
- Be thoroughly familiar with the controls and their proper operation. Know how to stop the machine and disengage the controls quickly.
- If the unit is to be used by someone other than the original purchaser, or is to be loaned, rented, or sold, always provide this manual and any needed safety training before operation. The user can prevent and is responsible for accidents or injuries that may occur to themselves, to other people, or to property.
- Do not force the machine beyond its limits. Use the correct machine for your application.
- Know how to stop the machine quickly in case of emergency. Understand the use of all controls.
- ALL MAINTENANCE other than that listed in this manual, should be carried out by professionally trained and certified personnel.
- When using this machine for the first time and before actual work, you **MUST** learn how to handle the machine from an experienced or skilled person.

## Personal Safety

- **WARNING!** Never allow children or people unfamiliar with these instructions to use the product. Local regulations can restrict the minimum age of the operator.
- Keep children, pets, and other people not using the unit away from the work area (at least 15m). Be alert and shut off the unit if anyone enters work area. Keep children under the watchful care of a responsible adult.
- Stay alert, watch what you are doing and use common sense when operating the machine. Never operate the machine when unwell or tired, or if you have taken alcohol, medicine, drugs or any substances which may slow your reflexes and compromise judgment. A moment of inattention while operating the machine may result in serious personal injury.
- Appropriate Personal Protective Equipment (PPE), **MUST** be worn at all times when operating or repairing the machine. Always wear anti-slip and resistant work footwear and long trousers while using the machine. Do not use the machine when barefoot, wearing sandals or similar lightweight footwear. Do not wear chains, bracelets or clothing that is loose fitting or hanging ties or cords. Tie long hair back. Always wear protective ear-plugs. Loose clothes, jewellery, or long hair can be caught in moving parts. Protect eyes, face, and head from objects that may be thrown from the unit. Always wear safety goggles or safety glasses with side shields when operating.
- Always keep hands and feet away from all moving parts during operation. Moving parts can cut or crush body parts. Always keep hands and feet away from all pinch points.

# Safety Information

## **Personal Safety (Continued)**

- Do not touch parts that might be hot from operation. Allow parts to cool before attempting to maintain, adjust, or service.
- Do not overreach. Keep proper footing and balance at all times. This enables better control of the machine in unexpected situations. Extending your body too far can result in a loss of balance and you may fall which will result in injury.
- Never place any part of your body where it would be in danger if movement should occur during assembly, installation, and operation, maintenance, repairing or moving.
- Keep in mind that the operator or user is responsible for accidents, hazards or unexpected events involving the machine that occur to other people or their property. It is the responsibility of the user to assess the potential risk of the area where work is being carried out. The operator or user must take all necessary precautions to ensure their own safety and that of others, especially on slopes or rough, slippery and unstable ground.

## **Inspect your Machine**

- Check your machine before starting it. Keep guards in place and in working order. Make sure all nuts, bolts, etc., are securely tightened.
- You must check the general condition of the machine before use.
- Never operate the machine when it is in need of repair or is in poor mechanical condition. Replace damaged, missing, or failed parts before using it. Keep the machine in safe working condition.
- Do not use the machine if the machine's OPC lever does not turn off the machine when running. Any machine that can't be controlled with the OPC is dangerous and must be replaced.
- Regularly check to see that keys and adjusting wrenches are removed from the machine area before starting it. A wrench or a key that is left attached to a rotating part of the machine may result in personal injury.
- If the machine should start to vibrate abnormally, stop the machine and check immediately for the cause. Vibration is generally a warning sign of trouble.
- Avoid accidental starting. Be sure the OPC is disengaged before transporting the machine or performing any maintenance or service on the unit. Transporting or performing maintenance or service on a machine with the OPC engaged invites accidents.
- Do not tamper with or disable safety systems.
- Only use manufacturer-recommended attachments.
- Before using, always visually inspect to see that the tools are not worn out or damaged. Replace worn out or damaged elements and bolts in set to preserve balance.
- Keep the machine in good operating condition. Operating the machine in poor or questionable condition could result in serious injury.
- Be sure all safety devices are in working order and warning labels are in place. These items are installed for your safety.

# Safety Information

## Work Area

- Make sure you thoroughly inspect the entire work area and remove all objects and anything that could be thrown by the machine or could damage the engine or machine (branches, stones, wire, toys, etc). Attempting to clear the work area whilst using the machine will reduce your concentration and creates a trip hazard. Any liquid spilled on the floor may result in you slipping.
- You must only work in daylight or with good artificial light in good visibility conditions. Do not work at night, at times of heavy fog, or at any other times when your field of vision might be limited and it would be difficult to gain a clear view of the area.
- Keep people, children and animals away from the working area.
- Operate on level ground.
- DO NOT work on wet ground. If there has been heavy rain on the working area, wait until the ground has dried up.
- You must pay special attention when approaching obstacles that could compromise visibility.
- Exercise extreme caution when changing direction on slopes. When changing direction, you need to be careful that the wheels do not hit any obstacles (such as roots, branches, stones, etc) that can cause the machine to slide sideways or make you lose control of it. Avoid operating on slopes steeper than 15%. Make sure on slopes you have a steady foothold.
- Find and locate all fixed objects in the ground, such as sprinkler systems, poles, water valves, bases for washing lines etc. Make sure that you check for hidden electrical cables or similar on the surface of the lawn. ALWAYS run the machine around these objects. NEVER intentionally run the machine over foreign objects.
- Never park the machine in a place with unstable ground which could give way.
- You must be careful near ravines, ditches or embankments.
- Exercise extreme caution when operating near or crossing gravel drives, walks, or roads. Stay alert for hidden hazards or traffic.
- Pay the utmost attention when working on frozen ground as the machine may tend to skid.
- Do not work in the rain, when there is a thunderstorm or lightning risk, at times of strong or gale force winds, or at any other times when the weather conditions might make it unsafe to use this product. If there is bad weather conditions, do not use the machine.

# Safety Information

## During Use

- Always hold the unit with both hands when operating. Keep a firm grip on the handlebars. Be aware that the machine may unexpectedly bounce upward or jump forward if the machine should strike buried obstacles such as large rocks or roots.
  - Do not operate the machine in confined areas where there may be a risk of crushing the operator between the machine and another object.
  - Walk, never run with the machine. Be very careful when pulling the machine toward you. You must look behind you to make sure there are no obstacles before and during operations in reverse gear (if applicable). Do not allow the machine to pull you along.
  - **WARNING!** If something breaks or an accident happens whilst working, you must turn off the engine immediately and move the machine away to prevent further damage. If an accident happens with injuries or third parties are injured, carry out the first aid measures most suitable for the situation immediately and contact the medical authorities for any necessary health care. Carefully remove any debris that might cause damage or harm persons or animals should it not be seen.
  - Disengage clutch lever before starting the engine.
  - Use extreme caution when reversing or pulling the machine backwards.
  - Do not carry passengers.
  - Never operate the machine at a fast pace.
  - The excessive speed of movement or the absence of maintenance have a significant influence on noise emissions and vibrations. It is necessary to take preventive steps to eliminate possible damage due to high levels of noise and stress from vibration. You must maintain the machine well, wear ear protection and take breaks from working.
  - After striking a foreign object, stop the engine immediately, remove the spark plug cap and inspect the machine thoroughly for damage. Repair the damage before continuing.
  - Never attempt to make any adjustments, while the engine is running.
  - Never attempt to move the machine in any way other than intended for normal use while the engine is running.
  - Factory-fitted control devices, such as the handle-mounted clutch cable, must not be removed or exposed.
- 
- You must disengage the blade, switch off the engine (making sure that all moving parts are stationary):
    - Before refuelling.
    - Before adjusting the cutting height.
    - After striking a foreign object, you must inspect the machine for damage and make repairs before using it again.
    - Before checking or working on the machine.
    - Before clearing blockages.
    - When transporting the machine.
    - Whenever you leave the machine unattended.
    - When crossing surfaces other than grass.
    - Before emptying the grass collector.
    - Before changing the cutting height.

# Safety Information

## Carbon Monoxide

### DANGER!

Engine exhaust fumes contain Carbon Monoxide. This is a poisonous gas and can kill in minutes. NEVER use inside a building or in an area with poor ventilation. NEVER use inside a confined space, such as but not limited to a house, garage, vehicle, boat or tent. ONLY use outside and far away from windows, doors and vents.

### **CARBON MONOXIDE IS A COLOURLESS, ODOURLESS GAS. INHALING THIS GAS CAN CAUSE DEATH OR SERIOUS LONG-TERM HEALTH PROBLEMS SUCH AS BRAIN DAMAGE.**

Never operate the engine in a confined space where dangerous carbon monoxide fumes can develop. All ignition operations have to be effected in an open or well-ventilated area. Always remember that exhaust fumes are toxic.

The symptoms of carbon monoxide poisoning can include but are not limited to the following; Headaches, dizziness, nausea, breathlessness, collapsing or loss of consciousness.

Carbon monoxide poisoning symptoms are similar to flu, food poisoning, viral infections and simply tiredness. It is quite common for people to mistake this very dangerous poisoning for something else.

To avoid carbon monoxide poisoning DO NOT use Petrol/Diesel powered equipment inside any of the following; Home, garage, tent, camper van, mobile home, caravan or boat. DO NOT use in an enclosed area or moving vehicle. This is not exhaustive and if you are in any doubt contact your dealer.

If you think you have or someone around you has been affected by carbon monoxide poisoning; Get them fresh air immediately, by leaving the affected area or by opening doors and windows. If safe and practical to do so make sure that the machine is turned off. DO NOT enter a room you suspect of having carbon monoxide present – instead call the emergency services.

Contact a Doctor immediately or go to Hospital – let them know that you suspect carbon monoxide poisoning.

# Safety Information

## Fuel Safety



**CAUTION! ALL FUELS ARE HIGHLY FLAMMABLE AND PETROL VAPOUR IS EXPLOSIVE. TAKE EXTREME CARE WHEN HANDLING FUEL. KEEP FUEL OUT OF REACH OF CHILDREN.**

## General Safety

- Do not smoke each time fuel is handled.
- ALWAYS avoid inhaling fumes.
- ALWAYS carry fuel in the correct and clearly marked container.
- ALWAYS wear correct, suitable and fit for purpose Personal Protective Equipment (PPE), suggested items are but not limited to safety gloves and overalls.
- To avoid sparking or arcing, keep grounded conductive objects – such as tools – away from exposed, live electrical parts and connections. These events could ignite fumes or vapors.
- Do not operate the machine with known leaks in the fuel system.
- Fire hazard - keep fuel away from all sources of ignition for example heaters, lamps, sparks from grinding or welding.
- DO NOT carry out hot work on tanks that have contained fuel.
- ALWAYS keep the work area tidy.
- ALWAYS dispose of waste fuels correctly.
- Serious personal injury can occur when petrol is spilled on yourself or your clothes. Rinse your skin and change your clothes immediately.

## Spilled Fuel

- If you have spilled fuel, make sure you do not attempt to ignite the engine but move the machine away from the area of spilled fuel and avoid creating any source of ignition until the fuel has evaporated and fuel vapours have dissipated.
- When fuel is spilled on yourself or your clothes, wash your skin and change clothes immediately.
- ALWAYS clean up spills promptly using absorbent granules and a lidded bin.

## Fuel Information

Using E10 Petrol Important: This product must be used with high-quality unleaded fuel ONLY. ALWAYS use automotive petrol/gasoline suitable for four-stroke engines; DO NOT mix fuel and oil. It is recommended to use E10 (95 RON) automotive fuel, with an appropriate additive or stabiliser in this product. Damage caused by failure to add fuel or using incorrect or poor-quality fuel is not covered by your warranty. CAUTION! E10 petrol is hygroscopic and attracts moisture, which may damage the fuel system if stored in the product for more than four weeks. After draining the fuel tank, always run the engine until the last of the fuel in the system is spent and drain the float bowl when the engine is cool. E10 petrol should be used within 30 days of purchase. Some petrol brands contain other quantities of ethanol. DO NOT use fuels with more than 10% ethanol in your Genpower product. Always store and dispose of fuels responsibly and in accordance with local regulations.

# Safety Information

## Battery Safety



**There is an explosion risk if the battery terminals are short circuited, when connecting/disconnecting ALWAYS exercise great care so that the terminals or battery leads are NOT allowed to touch and cause a spark. ALWAYS use suitable insulated tools.**

Batteries present a risk if they become damaged by the possible leaking of electrolyte. This electrolyte is an acid and can cause serious burn injuries. Care should be taken when working on or near them. NOTE the electrolyte may be in a liquid or gel form. Should you come in to contact with electrolyte you should;

- Remove all clothing contaminated with electrolyte. If you cannot remove then saturate them in water.
- Get medical assistance as soon as possible.

**. This machine contains  $\text{LiFePO}_4$  batteries with lipf<sup>6</sup> electrolyte.**

- Use fresh running water to wash off excess electrolyte, continue this until medical assistance arrives. Make sure that you do not wash the electrolyte to another part of your body or face.
- If electrolyte comes in to contact with Eyes the electrolyte needs to be immediately washed away with large amounts of water. Make sure that you do not wash the electrolyte to another part of your face or body.
- Gasses from charging batteries are highly flammable and great care should be taken to charge in well ventilated areas.

## Electrical Safety (Where Applicable)

Prior to carrying out any maintenance work you MUST identify electrical isolation methods and isolate all electrical supplies.

- Prior to use and with all electrical supplies isolated, you MUST check all electrical cables, plugs and connectors for the following;

- Are intact and have no signs of damage, to include but not limited to bare wires, chaffing, cuts and loose wiring.
- If there are any signs of damage, the damaged item MUST be taken out of service until the damage has been repaired by an electrically competent person.
- All trailing cables should be routed so as not to cause any kind of trip hazard.
- NEVER work on or near electricity with wet hands, wet clothing and wet gloves.

# Safety Information

## Fueling/De-Fueling

- ALWAYS fuel and de-fuel in a well ventilated area outside of buildings. Use a funnel to add fuel, only outdoors. Do not smoke during this and each time fuel is handled.
- Add fuel before igniting the engine, never remove the fuel tank cap or add fuel whilst the engine is running or when it is hot.
- When de-fueling ALWAYS use a proper fuel retriever.
- Never overfill the fuel tank. Engine heat can cause fuel to expand, never fill the tank to more than 1/2" below the bottom of the filler neck. This will provide space for fuel expansion.
- When refilling or draining the fuel tank, use an approved fuel storage container while in a clean, well-ventilated outdoor area. While adding fuel or operating the unit, do not smoke, and stay away from sparks, open flames, or other sources of ignition near the area of operation.
- Always stop the engine and allow it to cool before filling the fuel tank. Never remove the cap of the fuel tank or add fuel while the engine is running or when the engine is hot.
- Loosen the fuel tank cap slowly to relieve any pressure in the tank.
- ALWAYS keep the handles dry, clean and free of oil and fuel.
- After fueling, ensure to tighten the cap securely.
- Never use the lock-function when filling with fuel.

## Storing Fuel

- Store fuel in containers specifically designed and approved for fuel storage.
- Store fuel in a cool, well-ventilated area, safely away from sparks, open flames, or other sources of ignition.
- Never store fuel – or a machine with fuel in the tank – inside a building where fumes may reach a spark, open flame, or any other source of ignition (such as a water heater, furnace, or clothes dryer). Allow the engine to cool before storing in any enclosure.
- Replace all fuel tank and container caps securely and wipe up spilled fuel. Never operate the unit without the fuel cap securely in place.

# Safety Information

## **Vibrations (Where Applicable)**

- The operating noise of the machine can damage your hearing. When wearing protection such as earplugs or ear defenders to protect your hearing. Long-term and regular users are advised to have hearing checked regularly. Be especially vigilant and cautious when wearing ear protection because your ability to hear alarm warnings will be reduced.
- Noise emissions for this equipment is unavoidable. Carry out noisy work at approved times and for certain periods. Limit the working time to a minimum. For your personal protection and protection of people working nearby it is also advisable for them to wear hearing protection.
- See Certificate of Conformity section for Outdoor Noise declaration of conformity.

## **Noise (Where Applicable)**

- The operating noise of the machine can damage your hearing. When wearing protection such as earplugs or ear defenders to protect your hearing. Long-term and regular users are advised to have hearing checked regularly. Be especially vigilant and cautious when wearing ear protection because your ability to hear alarm warnings will be reduced.
- Noise emissions for this equipment is unavoidable. Carry out noisy work at approved times and for certain periods. Limit the working time to a minimum. For your personal protection and protection of people working nearby it is also advisable for them to wear hearing protection.
- See Certificate of Conformity section for Outdoor Noise declaration of conformity.

# Safety Information

## Personal Protective Equipment

Appropriate Personal Protective Equipment (PPE), MUST be worn at all times when operating or repairing the machine. No protective equipment can ensure 100% protection. When selecting PPE, make sure it's CE marked and it suits the user in terms of size, fit, etc. If more than one item of PPE is worn at the same time, make sure they can be used together, e.g. wearing safety glasses may disturb the seal of a respirator, causing air leaks.



### **Hand Protection Must Be Worn**

Protective electrically non-conductive gloves are highly recommended when working.



### **Foot Protection Must Be Worn**

Non-skid heavy duty footwear is highly recommended when working.



### **Hearing Protection Must Be Worn**

Suitable safety hearing protection is recommended.



### **Eye Protection Must Be Worn**

Always wear safety glasses/goggles and/or face shields. Everyday eye-glasses have only impact resistant lenses; they are not safety glasses/goggles.



### **Protective Clothing Must Be Worn**

Do not wear loose clothing, gloves, scarfs, neckties or jewellery (rings, wrist watches), which can be caught in moving parts.



### **Head Protection Must Be Worn**

Wear a safety helmet with a safety visor.








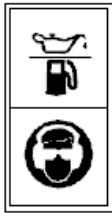




### **Face Shield Must Be Worn**

Wear a face shield to protect your face

# Safety Information

## ⚠ Symbols on the Machine

We have provided safety messages in this manual and on the machine. This information alerts you to potential hazards that could hurt you or others. Please read these messages carefully. However, we may not have listed all of the possible hazards, you must also use your own judgement.

Symbol	Description	Symbol	Description
	WARNING, if you don't understand the risks of this machine you are a risk. Read the manual operate the machine safely		Do not refuel the machine whilst the machine is running
	Projectile warning. This machine has the risk of creating projectiles, keep a safe distance to people within the work area		Hot surface warning. Do not touch surfaces near this sticker as there is a risk of burning
	Carbon monoxide warning. This machine must be operated in a well ventilated area		Fuel and Eyewear. This machine requires petrol and always wear protective eyewear
	Waste electrical products should not be disposed of with household waste. Please recycle where facilities exist. Check your local authority or retailer for recycling advice.		This product complies with the European directives and an evaluation method of conformity for these directives was done
	The UKCA (UK Conformity Assessed) marking is a UK product marking that is required for goods being placed on the market in Great Britain (England, Wales and Scotland).		Sound power level LWA data in dB.

# Safety Information

## Intended Use

The HYM18150SPX is a petrol lawnmower from HYUNDAI. The HYM18150SPX has a cutting width of 460mm and is powered by a 139cc motor

The HYM18150SPX is a garden tool and precisely a pedestrian controlled lawnmower. The machine is essentially composed of a motor which drives a blade enclosed in a casing, equipped with wheels and a handle. The operator is able to operate the machine and use the main controls, always staying behind the handle at a safe distance from the rotating blade.

If the operator leaves the machine, the machine will stop.

The lawnmower is manufactured according to the latest safety requirements. These include a blade brake that stops the machine and blade when you let go of the OPC lever. Every precaution is only effective when it is followed exactly.

### Intended Use

This machine was designed and manufactured for cutting and collecting grass in gardens and grassy areas, in areas in proportion to its cutting capacity, controlled by a pedestrian operator.

### User Types

This machine is intended for use by consumers, i.e. non professional operators. The machine is intended for "DIY" and domestic use only.

This garden tool is not intended for use by persons (including children) with reduced physical, sensory or mental capabilities, or lack of experience and knowledge, unless they have been given supervision or instruction concerning use of the machine by a person responsible for their safety. Never allow children or people unfamiliar with these instructions to use the garden tool.

Supervise children. This will ensure that children do not play with the unit.

Any other use is not as intended. Improper use is not covered by the warranty and the manufacturer will reject any liability. The user is liable for all injuries to third parties and damage to their property. Operate the unit only in the technical condition as stipulated and delivered by the manufacturer. Arbitrary changes to the unit will exclude the manufacturer from any liability for resulting injury and/or damage.

### Improper Use

Any other usage not in keeping with the above mentioned ones may be hazardous and harm persons and/or damage things. Examples of improper use may include, but are not limited to:

- transporting people, children or animals on the machine
- letting yourself be transported by the machine
- using the machine to tow or push loads
- using the machine for leaf or debris collection
- using the machine to trim hedges, or cutting anything other than grass
- use of the machine by more than one person
- using the blade on surfaces other than grass

# Unboxing

**⚠ WARNING : Unboxing and assembling the machine should be done on a flat, surface with enough room. Disposal of the packaging should be done in accordance with the local regulations in force.**

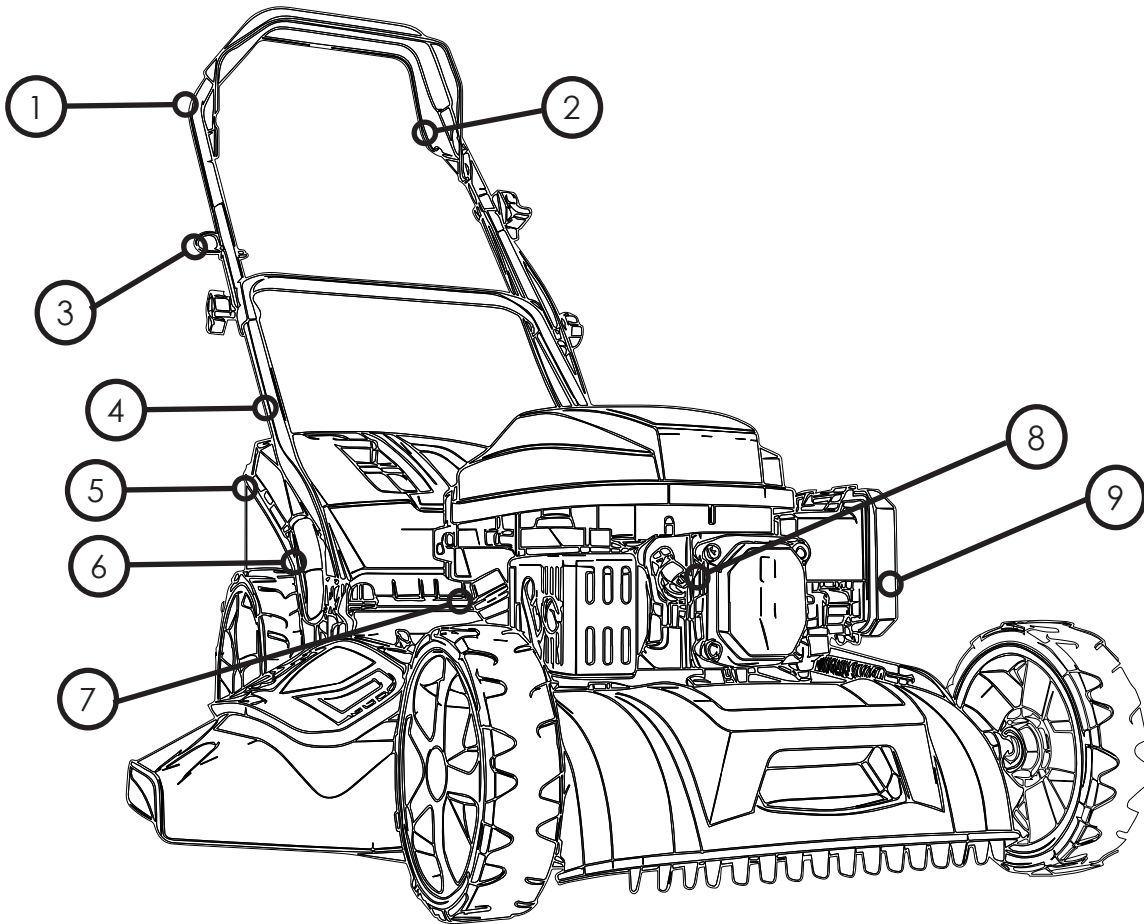
**⚠ WARNING : Some of the packaging material may be harmful to children. Keep out of reach of children.**

1. Carefully remove the product from the packaging and examine it for any sign of damage caused during shipping.
2. Lay the contents out and check them. If any part is damaged or missing, you must not use the machine. Contact HYUNDAI POWER PRODUCTS immediately.
3. You must keep the packaging material in case the machine needs to be returned or repaired.
4. Ensure that you have all the accessories and tools you need for assembly and operation including the suitable personal protective equipment.

We recommend that you fill out the information in the 'Product Record' section. If you need to contact an authorised dealer or customer service, you may need to provide this information.

# Features

\* NOT TO SCALE



- 1.OPC Lever
- 2.Drive Lever
- 3.Recoil Starter
- 4.Lower Handle
- 5.Grass Collection box
- 6.Height adjusting handle
- 7.Engine oil cap
- 8.Spark Plug
- 9.Air Filter

# Assembly

## Handle Assembly

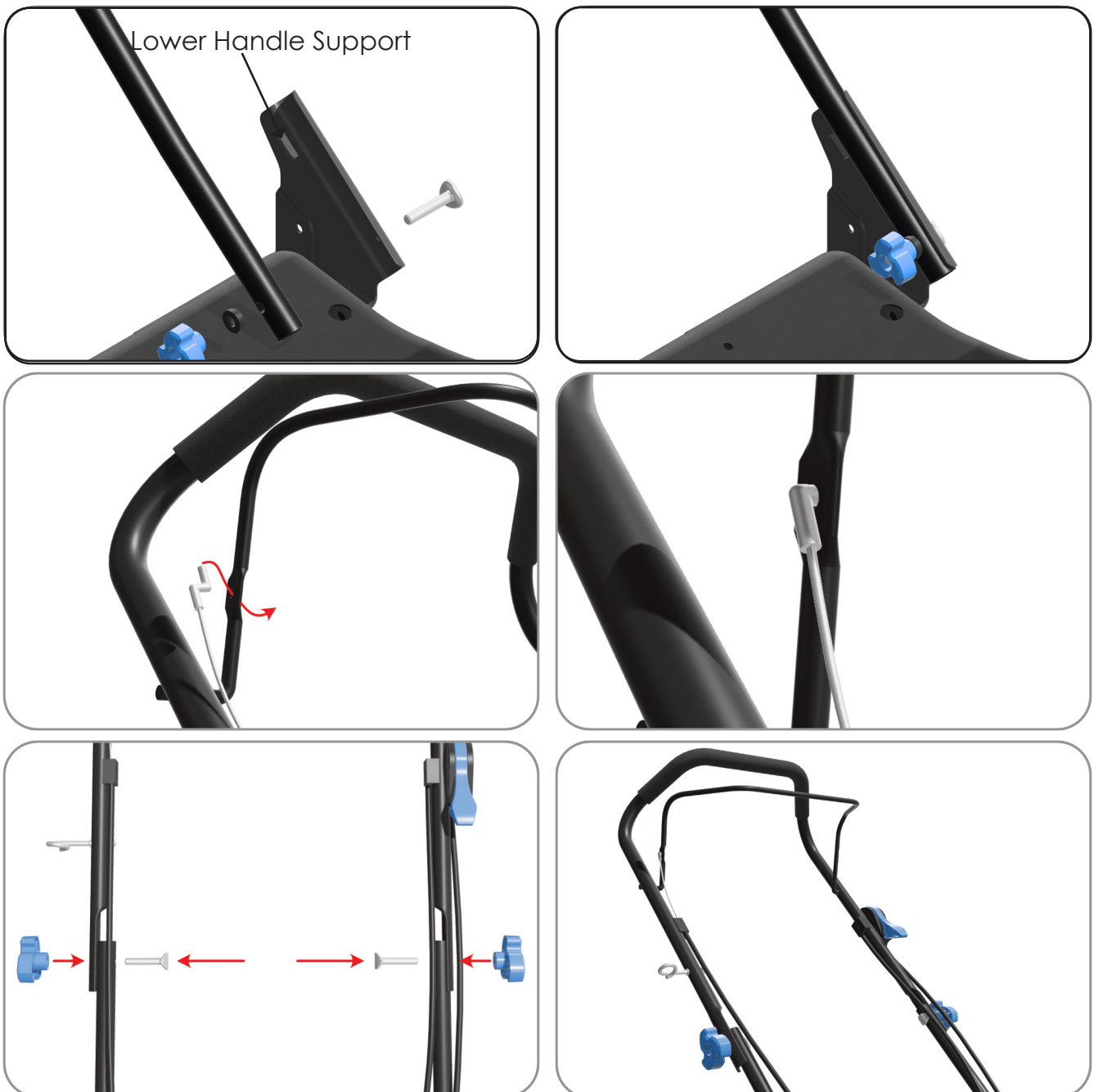
**NOTE:** When assembling the handles, ensure the recoil holder (pigtail) is on the right hand side of the machine, when stood behind it.

### Step 1 : Assemble the lower handles.

Place the lower handle bolt through the deck bracket, on the other side of the deck bracket, thread the bolt through lower handle. Secure with a washer and nut. Repeat on both sides.

**Step 2 :** Thread the OPC cable through the lever on the upper handle as shown below.

**Step 3:** Secure the lower handles to the upper handle. Thread a bolt from the inside of Lower handle through the Upper, securing with a locking knob. Repeat this on both sides.



# Assembly

## Grass Collection box Assembly

Step 1 : Clip the Grass box cover to the bag. Start securing the clips from one side and make your way around to the other

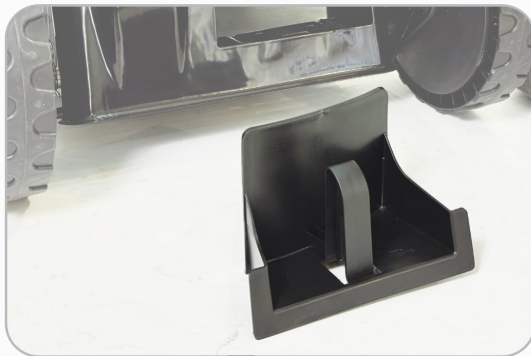
Step 2: Lift the Rear discharge cover and hook the collection box into place



## Mulching Plug

The mulching plug is used when you would like your grass clipping to be left on the lawn. The clippings act as a feed for your grass.

To add or remove the mulching plug, place into the discharge port at the back of the machine under the Rear discharge cover.



## Side discharge chute

The side discharge chute is used when you don't want to collect the clippings, but the grass is too long for the needs of mulching. The discharge side discharge chute will allow for easier raking in the future.

The chute just clips on to the side of the mower deck. Lift the side discharge cover and mount the chute.



# Pre-Operation Checks

## Checking Oil Level

**⚠ WARNING! THIS MACHINE IS SHIPPED WITHOUT ANY OIL. YOU MUST FILL THE MACHINE WITH OIL BEFORE STARTING IT FOR THE FIRST TIME.**

**WARNING:** The following checks and procedures are essential to prevent any damage and operational damage to your machine. You MUST follow them.

**Recommended Oil:** Always use high quality SAE30 oil (or equivalent e. g SAE 10W/30, often termed as 4 Stroke lawn mower oil). Never use additives with recommended oil. To prolong the life of your engine it is important that the oil is changed after the first 5 hours of use. After this, follow the instructions in the maintenance section of the manual.

**Step 1 :** Stop the machine on level ground. If your machine is sat on a slope, you will get inaccurate readings.

**Step 2:** Remove the oil filler dipstick and wipe the oil from it with a clean cloth.

**Step 3:** Insert the dipstick into the oil filler neck, but do not turn it in.

**Step 4 :** Then remove the dipstick and check the oil Level. The oil level must be between the Min and Max marks on the dipstick. If near the lower level ,fill to upper level with the recommended oil(SAE30 or equivalent). Do not overfill. Wipe away any spilt oil.)

**Step 5 :** Align the ribs of the cap with the groove of the filler neck . then rotate 1/4 turn to secure it.



# Pre-Operation Checks

## Filling with Fuel

**⚠ NOTE:** Always use clean, fresh E5 or E10 unleaded petrol. Only ever fill with enough fuel which can be used within 30 days. Fuel can go stale over 30 days old which will cause issues with the machines operation.

**⚠ WARNING:** This is a 4-stroke machine. There is no need to mix oil into the fuel

**⚠ WARNING:** Petrol is highly flammable and extreme precaution must be taken when handling or working with it.

**⚠ WARNING! THIS MACHINE IS SHIPPED WITHOUT ANY OIL. YOU MUST FILL THE MACHINE WITH OIL BEFORE STARTING IT FOR THE FIRST TIME.**

1. Clean the area around the petrol filler cap before removing the cap. Remove the warning tag, check the fuel level.
2. Refill the tank if the fuel level is low. (First time starting the machine, the fuel tank will be empty)
3. Refuel carefully to avoid overfilling or spilling fuel. There should be no fuel in the filler neck.
4. Clean up any overflow or splashes of petrol before starting the engine.
5. Tighten the filler cap after filling, finger tight on.



# Operation

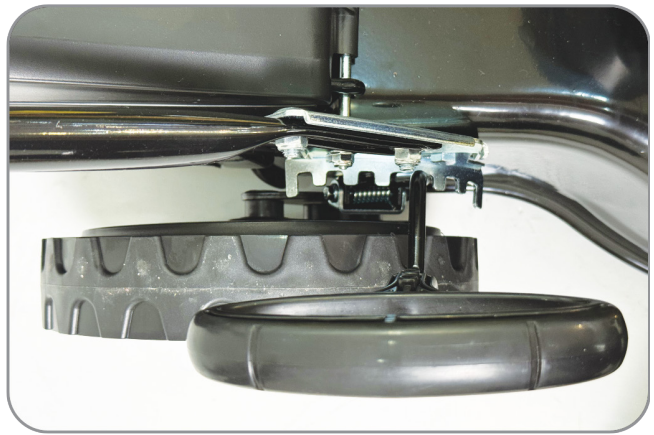
## Cutting Height Adjustment

**⚠ WARNING! Only adjust the cutting of the machine when the machine is off, and all moving parts have stopped.**

The cutting height is centrally adjusted with cutting height adjusting handle. Different cutting heights can be selected.

Pull the adjusting handle out and select the desired cutting height. The handle snaps into the desired position.

This machine has 7 cutting heights from 25mm to 75mm



# Operation

## Starting and Stopping

**⚠ WARNING :** The blade will rotate as soon as the engine is started.

**⚠ WARNING:** Only operate the machine in well ventilated areas

**⚠ WARNING :** Keep all body parts and clothing away from the moving parts of the machine. Contact with these parts will cause harm and damage. This also applies to the exhaust and other hot areas of the machine.

**⚠ To start the machine, ensure the machine is filled with oil and petrol, and the sparkplug is connected.**

## Starting

Step 1 : When starting, pull the throttle to the "START" position.

Step 2 : Stand behind the mower . Pull the engine OPC lever toward the upper handle With one hand . And Place the other hand on the recoil starter (pull start on the engine).

Step 3 : Pull the recoil starter approx 10-15cm until you feel a resistance and then start the engine with a sharp pull .When the engine starts, place the recoil starter back into it's holder



## Stopping

To stop the engine, simply release the OPC lever. This should instantly stop the engine.

# Operation

## Self Propulsion

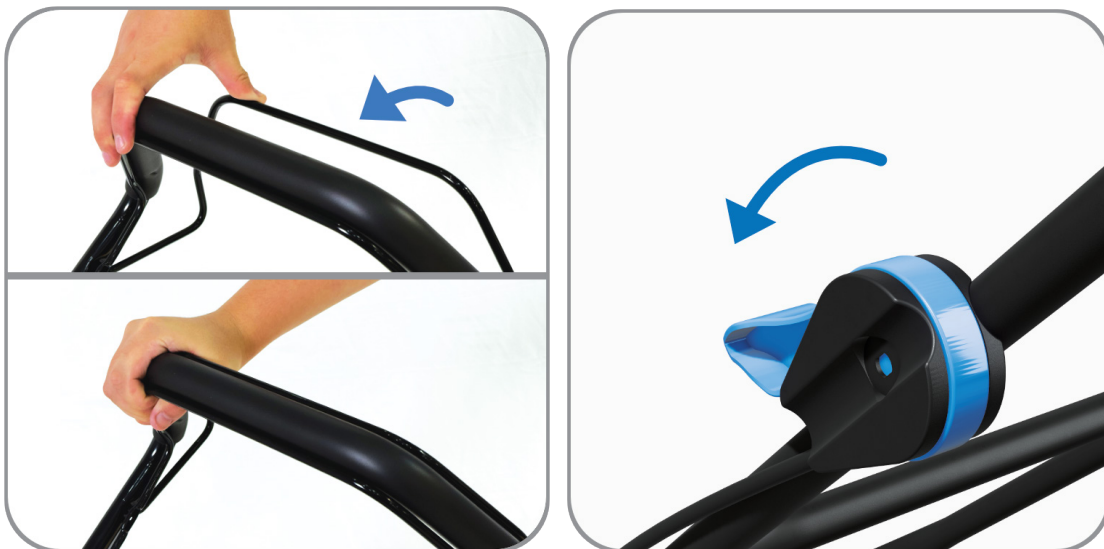
**⚠ WARNING :** Ensure before operating the working area is clear of any obstacles or persons whom may cause hazard.

**⚠ WARNING :** When finished with the machine, pull the throttle back in the slow (turtle) position.

Step 1 : With the engine running and holding the OPC lever, pull the driver lever toward the main handle.

Note: The drive lever operates the engagement of a drive gear and will propel your mower forwards , This lever should be either fully pulled or fully released, feathering of the lever and trying to use it as a clutch such as in a motor vehicle will result in undue wear and damage to the drive gearbox

Step 2: To increase the speed push the throttle forward to the fast "RUN" setting.



## Solving a "Flooded Engine"

**⚠ NOTE:** if the engine won't start after you have Operated the starter several times , the engine may be flooded with excess fuel . Use following procedure to clear and start a flooded engine.

Step 1 : Ensure all moving parts have stopped and the machine has cooled down.

Step 2 : Remove the spark plug from the engine.

Step 3 : Dry and clean the spark plug, and reinstall carefully by hand first. This is to avoid cross threading the threads.

# Lawn Care

## General Mowing Tips

- Maintain a constant cutting height. Do not shorten the grass to less than half its original height.
- Under certain conditions, such as very tall grass, it may be necessary to raise the height of cut to reduce pushing effort, prevent overloading of the motor and leaving clumps of grass clippings.
- It may also be necessary to reduce ground speed and/or push the lawnmower over the area a second time. For extremely heavy cutting, reduce the width of cut by overlapping the previously cut path and mow slowly

## How Often Should I mow?

### **Spring (March, April & May)**

Mow once a week on a high to medium height setting.

### **Summer (June, July & August)**

Mow twice a week under good growing conditions on a low setting. In dry conditions, mow once a week on a medium to high height setting.

### **Autumn (September, October & November)**



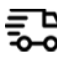
Mow once a week on a medium height setting.

### **Winter (December, January & February)**

Mow as required on a high height setting.

## Replacement Parts & Spares Info

# POWER SPARES

 No hassle returns  Over 10,000 spare parts  Same day dispatch\*



**QR Code** – Scan the QR code for a direct link to our website

**Our Website** : [power-spares.co.uk](http://power-spares.co.uk)

**Call us** : 01646 404406

**Email us** : [sales@power-spares.co.uk](mailto:sales@power-spares.co.uk)

To maintain your machine in peak operating condition, proper maintenance and care are crucial. Some machines have consumable parts that will need replacement to ensure they continue operating at their full potential. Power-Spares provide manufacturer parts for all your machines, ensuring they remain in peak condition.

### General Cleaning

Power-Spares has your back if you damage your lawn mower blade, find your spark plugs not sparking, or snap your recoil. Power-Spares operates under the trading name of Genpower Limited.

As part of the Genpower family, Power-Spares offers you the expertise, efficiency, and quality assurance of a large organisation. We leverage the latest warehousing, distribution, customer service, and inventory management technology to ensure you receive your parts as quickly as possible.

With extensive stock-holding of spare parts in our UK warehouses, Power-Spares is ready to assist you promptly when your machine needs repair. We're Committed to help you get back up and running as quickly as possible.

# Maintenance & Care

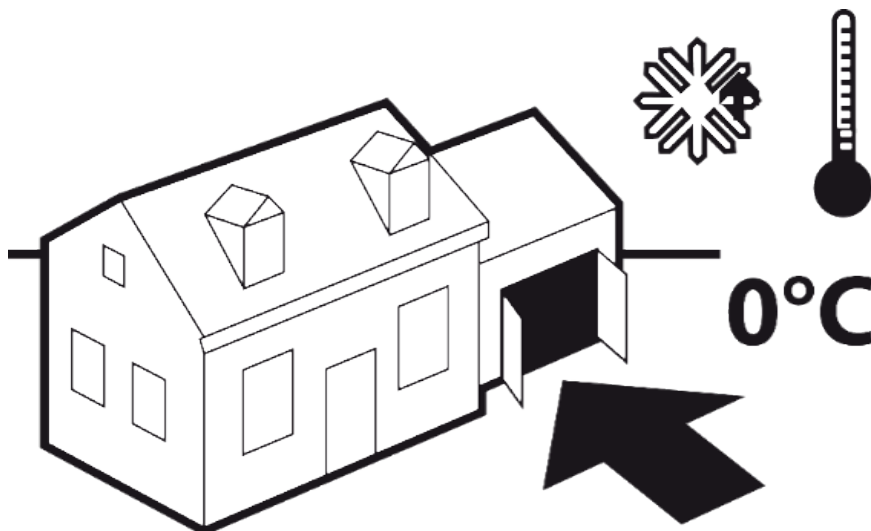
## General Maintenance

**⚠ WARNING :** Turn OFF the machine, allow all moving parts to come to a complete stop, and disconnect the power cord before maintaining the machine. You need to wear proper clothing and protective gloves whenever your hands are at risk.

- Keep all nuts, bolts and screws tight to be sure the machine is in a safe working condition.
- Replace worn or damaged parts for safety. Only use manufacturer-recommended parts and accessories.
- Lubricate the wheels every 100 hours
- Periodically check the wires around the machines for damage and loose connections.
- Always check the brakes of the machines are working correctly
- Regularly examine the batteries, ensure they are clean and dry.
- Always charge your batteries to full charge before use

## Storage

- Keep the machine stored in a dry, level area away from damp, moisture and rain fall. Allow the machine to cool down before storing.
- Make sure the machine is clean and dry before storing.
- Ensure the machine is stored in a position, where any persons cannot step on, to attempt to reach items up high, due to risk of movement.
- DO NOT store the machine near an ignition source, such as a wood stove, gas or electric heater, or an appliance or heater with a pilot light.
- Store the machine out of reach of children or anyone who is not familiar with operation.
- DO NOT stack other items on top of the machine when in storage.
- Make sure the machine is stored away from direct sunlight. Store indoors or in a safe, frost-free area during severe weather and winter months.



# Maintenance & Care

## Maintenance Schedule

Performing routine maintenance correctly on your lawnmower will ensure you get years of trouble free use.

Please keep this manual safe for future reference.

It is recommended that the following maintenance schedule is adhered to. This will ensure the lawn-mower operated correctly and is safe to use.

	After 12 Hours	After 24 Hours	After 36 Hours
<b>Air Filter</b>	Clean	Clean	Replace
<b>Spark Plug</b>	Check	Clean	Replace
<b>Engine Oil</b>	Check	Replace	Check

## Long Term Storage

If storing the machine for a period of 30 days or more, you must follow proper storage and winterisation guidelines to avoid any possible issues with the machine. Incorrect storage can lead to possible fueling or engine issues that will not be covered by the warranty.

Allow the engine to fully cool down.

1. Drain all the fuel from the fuel tank and then run the machine until it has completely run out of fuel to clear the remaining fuel from the fuel lines and carburettor.
2. Drain the oil from the engine.
3. Follow the cleaning instructions in the 'Cleaning' section.
4. Follow the maintenance section and check, service or replace serviceable items if required. Visually inspect the machine and replace or repair any worn parts. Check the blade and sharpen or replace if necessary.
5. Lubricate all moving parts with light spray oil such as WD40.
6. Refill engine oil with new SAE 30 or 15w40 engine oil, fill to the upper mark on the dipstick.
- 7 Remove the spark plug and pour 1 teaspoon of fresh engine oil down the cylinder bore. Cover the spark plug hole with a lint free clean cloth, ensuring no dirt or debris falls into the cylinder chamber and gently pull the recoil starter handle to coat the cylinder bore with the fresh oil.  
Refit the spark plug.

## Preparation to re-use after storage

1. Check oil level before using.
2. Check spark plug is inserted correctly.
3. Fill engine with fresh unleaded petrol that has not been stored for periods of more than 30 days.

# Maintenance & Care

## Cleaning the Mower Blade

**⚠ WARNING :** If the mower blade and Rotor is left unclean and clogged with grass, this will affect the efficiency of the mower.

**⚠ WARNING :** Fuel may leak from the machine whilst performing this maintenance. To avoid this completely, drain the machine of all fuel.

- Starting from the rear of the machine, turn the machine onto its right hand side.
- Start by removing all obvious large clumps of grass stuck to the edges of the mower deck, Blade and Rotor
- Using water at normal hosepipe pressure, you can rinse all hard to reach areas on the inderside of the mower.

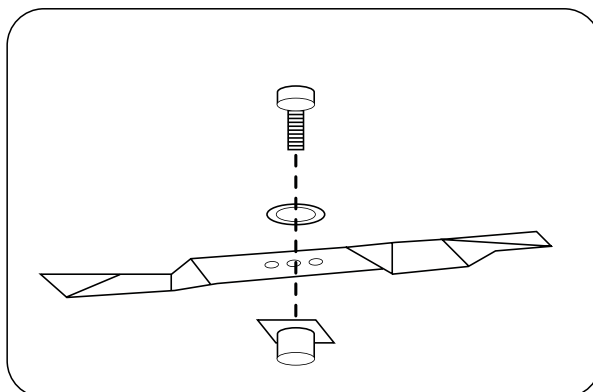
## Blade Replacement

**⚠ WARNING :** NEVER fully invert or turn the mower over completely when it's full of oil and fuel. You can tilt the mower slightly on the side of the oil filler to inspect the blade. IF the blade needs replacement drain the oil and fuel to proceed.

**⚠ WARNING :** Wear protective gloves when handling the mower and blade.

**⚠ WARNING :** Sharpening and balancing of the blade should only ever be carried out by qualified and trained personnel

1. The blade is made of pressed steel, in order to obtain a good cut, sharpen the blade frequently, typically around every 25 hours of work.
2. Following blade sharpening, you must make sure that the blade is always well balanced.
3. To remove the blade, unscrew the centre bolt, check the blade carrier and all components. Replace if they are worn or damaged.
4. Blade maintenance can be at our specialised centre that has the special tools and equipment.
5. Only original blades must be used on this machine. Given product evolution, the blades may be replaced in time with others having similar interchangeable and operating safety features.



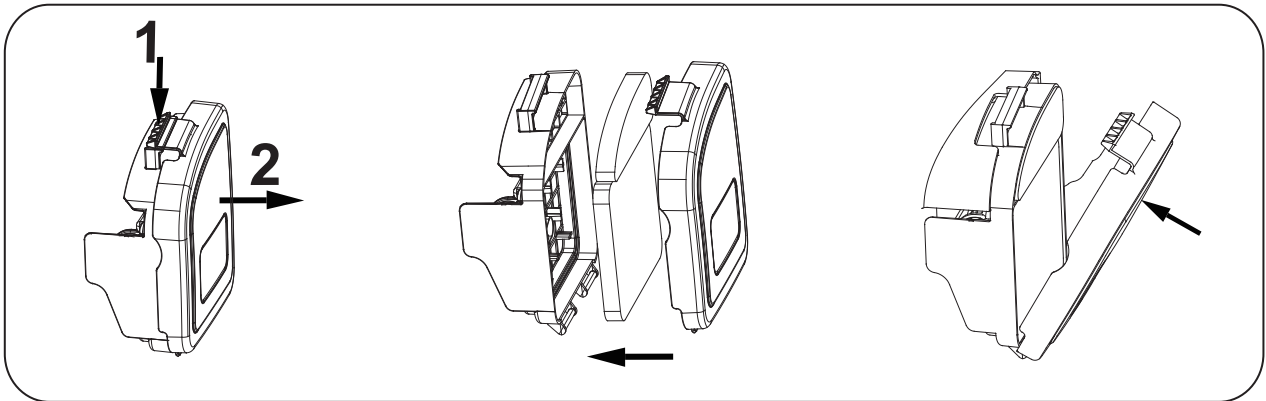
# Maintenance & Care

## Air Filter Maintenance

**⚠ WARNING!: Never operate the machine without an air filter. Operating without one can cause small particles and debris to be ingested into the engine and possibly cause damage.**

1. Remove the air cleaner outside cover. Be careful to prevent dirt and debris from falling into the air cleaner assembly.
2. Separate the Air Filter from the Air Filter Housing .
3. Inspect the air filter. Clean dirty air filter with warm water and mild soap. Allow air filter to dry thoroughly before re-installation
4. Install the air filter assembly onto the carburetor and secure with screw.

Note: Do not use pressurized air or solvents to clean the filter. Pressurized air can damage the filter and solvents will dissolve the filter.



## Changing Engine Oil

Tilt the lawnmower towards the oil filler , have a container ready to catch the oil and remove the dipstick .

once the oil has been emptied , replace the dipstick and wipe clean any spillages.

Refill with 400ml SAE30 oil or equivalent i. e SAE5W/30, SAE10W/30.

When the dipstick is inserted back (without turning back in ), the oil level must be between the min and max marks on the dipstick.

Start the engine and allow it to run briefly.

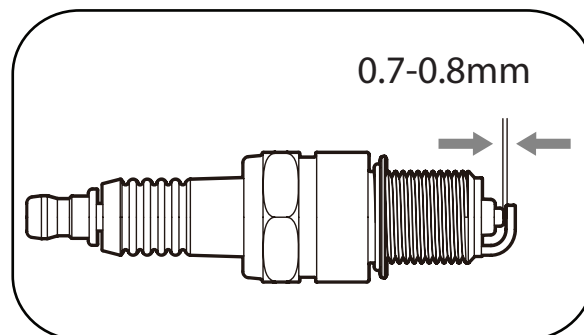
Stop the engine ,wait one minute and check the oil level . top up if necessary .

# Maintenance & Care

## Spark Plug Maintenance

For good performance, the spark plug must be properly gapped and free of deposits. You **MUST** allow the engine to cool down before carrying out any maintenance.

1. Always use the correct spark plug.
2. To check the spark plug, remove the spark plug HT lead cap and remove the spark plug with the spark plug wrench.
3. Remove spark plug using the supplied spark plug wrench.
4. Clean the spark plug electrode with a soft wire brush, making sure there is no damage to the insulator or electrode.
5. The spark plug gap should be 0.70mm to 0.80mm. Check the gap by using a feeler gauge.



# Troubleshooting

**⚠** Faults which cannot be rectified with the aid of following table may be rectified by a qualified technicians (contact our customer service team to arrange). Please be aware that any improper repairs will also invalidate the warranty and additional costs may be incurred. Use only genuine spare parts. Only these spare parts are designed and suitable for the product. The use of other spare parts not only voids the warranty, you can also endanger yourself and your environment.

Symptom(s)	Possible Cause(s)	Corrective Action(s)
Loud while running, Makes a weird noise, Machine Vibrates	Screws are loose	Check and tighten screws
	Blade fasteners are loose	Check blade fasteners
	Blade is unbalanced	Replace blade
Engine does not start	OPC lever not pressed	Press OPC lever whilst starting
	Spark plug is defective	Replace spark plug
	The cutting blade may be worn or damaged	Replace it by the customer service center
	Fuel tank is empty	Refill with fuel
	Engine may be flooded	Remove plug and dry
Engine doesn't run well	Air filter is dirty	Clean the air filter
	Spark plug is dirty	Clean the spark plug
Uneven Mowing Results	Blade is blunt	Sharpen the blade
	Cutting height is too low	Set correct height for grass length
Grass bag doesn't fill/ Grass is no longer being collected	Blade is worn	Replace the blade
	Grass bag full	Empty Grass bag
	Lawn/Work area is wet	Stop use and allow lawn/work area to dry
	Outlet Chute blocked	Stop machine, allow to cool and remove any blockages
	Mower deck is clogged with dirt/ clippings	Stop machine, allow to cool and remove any residue on the deck

# Contact

## Need Help? Talk To Our Experts

Our friendly aftersales team will be more than happy to help you



Phone

Call our team on 01646 687 880



Email

[aftersales@hyundaipowerproducts.co.uk](mailto:aftersales@hyundaipowerproducts.co.uk)



Online Live Chat

Go to [www.hyundaipowerproducts.co.uk](http://www.hyundaipowerproducts.co.uk)



Post

Genpower Ltd, Isaac Way, Pembroke Dock, Pembrokeshire, SA72 4RW.



Hyundai Support Website

Go to [hyundaisupport.co.uk](http://hyundaisupport.co.uk)

# Recycling & Disposal

## WEEE Information



We do not offer a takeback scheme for the recovery of Waste Electrical Electronic Equipment (WEEE) & Batteries. Instead the responsibility to dispose of WEEE and/or Batteries is passed onto you by us.

So when it becomes necessary to dispose of your machine you must take it to your local Civic Amenity Site. For further information please contact your local Authority for disposal advice.

You MUST make sure that all unused oil and fuel is disposed of correctly either beforehand or at your local Civic Amenity Site.

- Under NO circumstances must any fuel or oil be put down any drains.
- Certain products contain WEEE waste which should not be disposed of in your domestic waste.
- You MUST recycle WEEE in accordance with your local authority or recycling centre.
- Certain products contain batteries which should not be disposed of in your domestic waste.
- You MUST recycle batteries in accordance with your local authority or recycling centre.
- Unwanted packaging and materials should be stored and taken to a recycling centre so it can be disposed of in a manner which is compatible with the environment.

We are a Member of the VALPAK National Compliance Scheme and our registration number is RM08660. For further information about disposal please contact your Local Authority.

You can also get more advice and guidance about recycling at the following website <http://www.recycle-more.co.uk>

Should you pass this product on to another user either sold or loaned, you MUST pass on this user manual. This will make sure that all other users can use and maintain this machine safely.

## Environmental Protection

1. Environmental protection should be a priority of considerable importance when using the machine, for the benefit of both social coexistence and the environment in which we live. Try not to cause any disturbance to the surrounding area.
2. You must comply with local regulations and provisions for the disposal of packaging, oils, petrol, filters, damaged parts or any elements which have a strong impact on the environment. This waste must not be disposed of as normal waste. It needs to be separated and taken to specified waste disposal centres where the material will be recycled.
3. You must comply with local regulations for the disposal of waste materials after mowing.
4. When disposing, do not pollute the environment with the machine, but hand it over to a disposal centre, in accordance with the local laws in force.

# Technical Data

## Specification Table

Model	HYM18150SPX
Start Method	Recoil with Auto Choke
Propulsion	Self-Propelled
Cutting Width (mm)	460
Cutting Height Min (mm)	25
Cutting Height Max (mm)	75
Cutting Positions	7
Cut Options	Side Discharge, Rear Bagging, Rear Discharge, Mulching
Catcher Volume (L)	60
Catcher Type	Half Plastic With Polyester Bag
Handle Type	Soft Grip
Safety Features	Operator Presence Control
Deck Material	Steel
Quick Clean Hose Connector	Yes
Engine Model	TB1P65F
Engine Type	4-Stroke OHV Single Cylinder
Engine Size (cc)	139
Power (hp)	3.7
Fuel	Unleaded Petrol
Fuel Capacity (L)	1.5
Engine Oil	SAE 10W-30
Engine Oil Capacity (ml)	600
Gross Weight (kg)	36
Net Weight (kg)	33
Wheel Diameter (mm)	Front: 178, Rear: 254
Fully Assembled Dimensions (H x W x L) (mm)	1460*650*1040
Package Dimensions (H x W x L) (mm)	790*570*480
Fuel/Power Source	Petrol
Guaranteed Sound Level LWA (db(A))	96
Uncertainty KwA (db(A))	0.69
Vibration Level values (m/s <sup>2</sup> )	Left 3,011 / Right 3,024 m/s <sup>2</sup>
Uncertainty K (m/s <sup>2</sup> )	1.5

# Declaration of Conformity

## Importer and Authorised Representative

Genpower Ltd  
Isaac Way, Pembroke Dock, SA72 4RW  
Country of Origin: China  
Description: 460mm Self Propelled Petrol Lawn Mower  
SKU Code: HYM18150SPX  
Date of Issue: 01/12/2025

This declaration is issued under the sole responsibility of Genpower Ltd.

**We hereby declare that the machine detailed in this declaration complies to all the relevant provisions of the following EC directives and regulations**

## Regulations and Directives of Compliance

- 2014/30/EU The Electromagnetic Compatibility Directive
- 2006/42/EC The Machinery Directive
- 200/14/EC Noise emission in the environment by equipment for use outdoors
- 2011/65/EU The Restriction of Hazardous Substances Directive
- 1907/2006 REACH EC No 1907/2006 - SVHC
- 1907/2006 REACH Regulation (EC) No 1907/2006 Annex XVII
- Regulation (EU) 2016/1628 gaseous and particulate pollutant emission limits for internal combustion engines.

**And is in conformity with the applicable requirements of the following documents:**

EN ISO 14982:2009  
EN ISO 5395-1:2013+A1:2018  
EN ISO 5395-2:2013+A1:2016+A2:2017

## Statement of Declaration

We the importer and authorised representative of the product described confirm conformity within the provisions of applicable regulations and directives listed within this document.

## Signed on Behalf of Genpower Ltd

### Identification of Manufacturer:

Genpower Ltd, Isaac Way, Pembroke Dock, Pembrokeshire, SA72 4RW, UK.

### Name and address of technical documentation holder and EU distributor:

Genpower Ltd, 131 Boulevard Pereire, 75017 Paris, France.

**Place of Issue:** Genpower Ltd

**Signatory Name:** Roland Llewellyn

**Position:** Managing Director

*RJLlewellyn*

.....



# Useful Information

## Check Out Our YouTube Channel

Our videos on YouTube include:

- Unboxing
- Assembly of your machine
- How to service your machine
- Products in use
- 'How To' videos
- Product features

Go to YouTube and search 'Hyundai Power Products'.

## Warranty

Proof of purchase will be required before you make a warranty claim. Full warranty terms and conditions can be found on the HYUNDAI POWER PRODUCTS website: [www.hyundaipowerproducts.co.uk](http://www.hyundaipowerproducts.co.uk)

## Manual Updates

Our manuals are constantly being reviewed and updated. Should you find an error, omission or something unclear, please contact us for assistance. We reserve the right to make any modifications without prior notice whenever necessary.

Our latest manuals are also placed online. All our manuals can be downloaded at: [www.hyundaipowerproducts.co.uk](http://www.hyundaipowerproducts.co.uk)

## Returning Your Product

If you are returning your product, please contact the dealer for their returns policy.

## Leaving A Review

We work very hard to give all of our customers the best possible service. If you have any problems, before leaving negative feedback, please contact us to give us a chance to resolve the issue. We would be delighted if you left us positive feedback! To leave a review, please go to: [uk.trustpilot.com/review/hyundaipowerequipment.co.uk](http://uk.trustpilot.com/review/hyundaipowerequipment.co.uk)

## Ordering Spare Parts

You can find the spare part you are looking for at [power-spares.co.uk](http://power-spares.co.uk)

# Product Record

## Information

As soon as you have purchased the machine, we recommend that you fill out the following. If you need to contact an authorised dealer or customer service for information on servicing, you may need to provide the following information.

Date Of Purchase:.....

Dealer Name:.....

Dealer Phone:.....

Model Number:.....

Serial/Batch Number:.....



# HYUNDAI

POWER PRODUCTS



GENUINE PRODUCT OF  
HYUNDAI CORPORATION

For Inquiries, Please Contact:  
GENPOWER LTD  
Isaac Way, London Road,  
Pembroke Dock, UK, SA72 4RW.  
T: +44 (0) 1646 687 880  
E: [info@hyundaipowerproducts.co.uk](mailto:info@hyundaipowerproducts.co.uk)  
[www.hyundaipowerproducts.co.uk](http://www.hyundaipowerproducts.co.uk)

Imported / Distributed by Genpower Ltd for  
the United Kingdom & Ireland

Licensed by Hyundai Corporation Holdings, Korea

**HYUNDAI**  
POWER PRODUCTS

# TONDEUSE À GAZON À ESSENCE HYM18150SPX

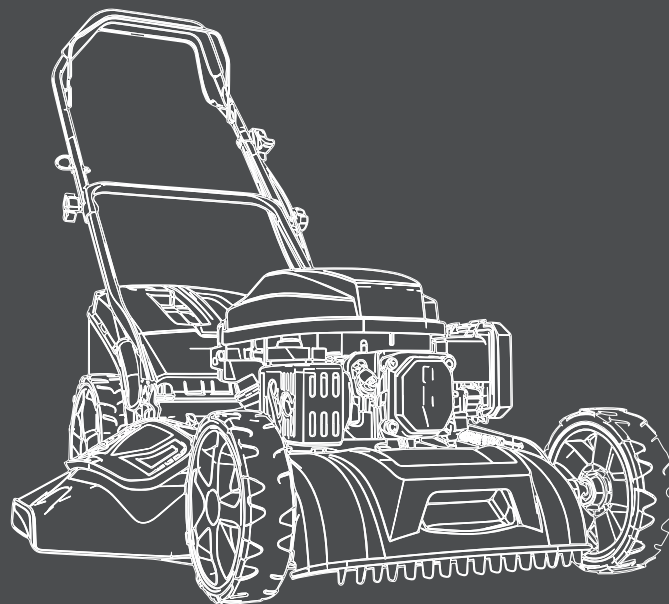
Manuel d'instructions



Scan for website  
& alternate languages



GENUINE PRODUCT OF  
HYUNDAI CORPORATION



WARNING: Read the instructions carefully before use.

Iss:Dec/25

# Page du contenu

<b>Page du contenu</b> .....	<b>42</b>	<b>Entretien de la pelouse</b> .....	<b>66</b>
<b>Introduction</b> .....	<b>43</b>	Conseils généraux de tonte .....	66
<b>Informations de sécurité</b> .....	<b>44</b>	À quelle fréquence dois-je tondre ?.....	66
Comprendre votre machine .....	44	<b>Informations sur les pièces de re-</b>	
Sécurité personnelle .....	44	<b>change et les remplacements</b> .....	<b>67</b>
Sécurité personnelle (suite).....	45	Nettoyage général.....	67
Inspecter votre machine.....	45	<b>Entretien et maintenance</b> .....	<b>68</b>
Zone de travail .....	46	Entretien général.....	68
Pendant l'utilisation .....	47	Rangement.....	68
Monoxyde de carbone.....	48	Calendrier d'entretien .....	69
Sécurité générale.....	49	Stockage à long terme .....	69
Carburant renversé.....	49	Préparation à la réutilisation après stockage	
Sécurité du carburant .....	49	69	
Sécurité électrique (le cas échéant).....	50	Remplacement de la lame .....	70
Sécurité de la batterie.....	50	Entretien du filtre à air.....	71
Stockage du carburant.....	51	Changement de l'huile moteur .....	71
Ravitaillement/Dépotage .....	51	Entretien de la bougie d'allumage .....	72
Vibrations (le cas échéant) .....	52	<b>Dépannage</b> .....	<b>73</b>
Bruit (le cas échéant) .....	52	<b>Contact</b> .....	<b>74</b>
Équipement de protection individuelle ...	53	<b>Recyclage et élimination</b> .....	<b>75</b>
Symboles sur la machine.....	54	Informations DEEE.....	75
Utilisation prévue .....	55	Protection de l'environnement.....	75
<b>Déballage</b> .....	<b>56</b>	<b>Données techniques</b> .....	<b>76</b>
<b>Caractéristiques</b> .....	<b>57</b>	Tableau des spécifications .....	76
<b>Assemblage</b> .....	<b>58</b>	<b>Déclaration de conformité</b> .....	<b>77</b>
Assemblage du guidon.....	58	<b>Informations utiles</b> .....	<b>78</b>
Assemblage du bac de ramassage d'her-		Découvrez notre chaîne YouTube.....	8
be.....	59	Garantie .....	78
Bouchon de mulching.....	59	Mises à jour des manuels.....	78
Goulotte d'éjection latérale.....	59	Retour de votre produit.....	78
Vérification du niveau d'huile .....	60	Laisser un avis .....	78
Remplissage de carburant .....	61	Commander des pièces de rechange.....	78
Réglage de la hauteur de coupe .....	62	<b>Fiche produit</b> .....	<b>79</b>
Démarrage et arrêt .....	63	<b>Remarques</b> .....	<b>80</b>
Démarrage avec E-Start .....	63		
Démarrage avec lanceur.....	64		
Arrêt .....	64		
Résolution d'un « moteur noyé » .....	64		
Autopropulsion .....	65		
Vider le sac à herbe .....	65		
.....			

# Introduction

## Merci d'avoir acheté votre produit Hyundai

Nous mettons tout en œuvre pour offrir à tous nos clients le meilleur service possible. Si vous rencontrez des problèmes, avant de laisser un avis négatif, veuillez nous contacter afin de nous donner la chance de résoudre le problème. Nous serions ravis que vous nous laissiez un commentaire positif ! Merci d'avoir acheté ce produit.

### **IMPORTANT !**



#### **AVERTISSEMENT : LISEZ ATTENTIVEMENT LE LIVRET D'INSTRUCTIONS AVANT D'UTILISER LA MACHINE**

Conservez-le pour référence future et transmettez-le si la machine est prêtée ou vendue à un autre utilisateur.

Ce manuel a été rédigé par Hyundai Power Products et doit être conservé avec le produit. Veuillez lire et comprendre ces instructions avant d'utiliser votre produit. Le non-respect de ces consignes peut entraîner des blessures corporelles ou endommager le produit.

Les précautions et avertissements de sécurité ont pour but d'assurer votre sécurité et de vous protéger contre tout dommage corporel ou matériel.

Les informations contenues dans ce manuel étaient exactes au moment de sa rédaction, mais HYUNDAI Power Products peut apporter des modifications au produit sans préavis.

Il s'agit des instructions originales du produit. Ce document fait partie du produit ; conservez-le pendant toute la durée de vie du produit et transmettez-le aux détenteurs suivants. Lisez ce manuel dans son intégralité avant d'essayer d'assembler, d'utiliser ou d'entretenir ce produit.

Ce manuel décrit la finalité du produit et contient toutes les informations nécessaires pour garantir son utilisation correcte et en toute sécurité. Le respect de toutes les instructions et recommandations de ce manuel assurera la sécurité du produit et de l'utilisateur, et augmentera la durée de vie du produit.

Toutes les photographies et illustrations de ce manuel servent à illustrer le bon fonctionnement du produit. Tous les efforts ont été faits pour garantir l'exactitude des informations contenues dans ce manuel. Cependant, nous nous réservons le droit de modifier ce document sans préavis. Veuillez toujours utiliser la version la plus récente du manuel du produit.

# Informations de sécurité

## Comprendre votre machine

- **AVERTISSEMENT !** Vous devez lire attentivement ces instructions avant d'utiliser la machine. Assurez-vous de bien connaître les commandes et d'utiliser correctement la machine. Vous devez apprendre à arrêter rapidement la machine. Le non-respect des avertissements et des instructions peut entraîner un incendie et/ou des blessures graves. Conservez tous les avertissements et toutes les instructions pour pouvoir vous y référer ultérieurement.
- Lisez ce manuel et les étiquettes apposées sur la machine afin de comprendre ses limites et les dangers potentiels.
- Familiarisez-vous parfaitement avec les commandes et leur fonctionnement correct. Sachez comment arrêter la machine et désengager rapidement les commandes.
- Si l'appareil doit être utilisé par une personne autre que l'acheteur d'origine, ou s'il doit être prêté, loué ou vendu, veuillez toujours fournir ce manuel ainsi que toute formation de sécurité nécessaire avant l'utilisation. L'utilisateur peut prévenir et est responsable des accidents ou blessures pouvant survenir à lui-même, à d'autres personnes ou à des biens.
- Ne forcez pas la machine au-delà de ses limites. Utilisez la machine adaptée à votre application.
- Sachez comment arrêter rapidement la machine en cas d'urgence. Comprenez le fonctionnement de toutes les commandes.
- TOUTES LES OPÉRATIONS DE MAINTENANCE autres que celles indiquées dans ce manuel doivent être effectuées par du personnel formé et certifié.
- Lorsque vous utilisez cette machine pour la première fois et avant de commencer à travailler, vous DEVEZ apprendre à la manipuler auprès d'une personne expérimentée ou qualifiée.

## Sécurité personnelle

- **AVERTISSEMENT !** Ne laissez jamais des enfants ou des personnes qui ne connaissent pas ces instructions utiliser le produit. La réglementation locale peut imposer un âge minimum pour l'utilisation de la machine.
- Tenez les enfants, les animaux domestiques et les autres personnes qui n'utilisent pas l'appareil à l'écart de la zone de travail (à au moins 15 m). Soyez vigilant et éteignez l'appareil si quelqu'un pénètre dans la zone de travail. Gardez les enfants sous la surveillance attentive d'un adulte responsable.
- Restez vigilant, surveillez ce que vous faites et faites preuve de bon sens lorsque vous utilisez la machine. N'utilisez jamais la machine si vous ne vous sentez pas bien, si vous êtes fatigué ou si vous avez consommé de l'alcool, des médicaments, des drogues ou toute autre substance susceptible de ralentir vos réflexes et d'altérer votre jugement. Un moment d'inattention pendant l'utilisation de la machine peut entraîner des blessures graves.
- Un équipement de protection individuelle (EPI) approprié DOIT être porté à tout moment lors de l'utilisation ou de la réparation de la machine. Portez toujours des chaussures de travail antidérapantes et résistantes ainsi que des pantalons longs lorsque vous utilisez la machine. N'utilisez pas la machine pieds nus, en sandales ou avec des chaussures légères similaires. Ne portez pas de chaînes, de bracelets ou de vêtements amples, ni de cravates ou de cordons pendants. Attachez vos cheveux longs. Portez toujours des bouchons d'oreille de protection. Les vêtements amples, les bijoux ou les cheveux longs peuvent se coincer dans les pièces mobiles. Protégez vos yeux, votre visage et votre tête contre les objets qui pourraient être projetés par l'appareil. Portez toujours des lunettes de sécurité ou des lunettes de protection avec des protections latérales lorsque vous utilisez la machine.
- Gardez toujours vos mains et vos pieds à l'écart de toutes les pièces mobiles pendant le fonctionnement. Les pièces mobiles peuvent couper ou écraser des parties du corps. Gardez toujours vos mains et vos pieds à l'écart de tous les points de pincement.

# Informations de sécurité

## Sécurité personnelle (suite)

- Ne touchez pas les pièces qui pourraient être chaudes après utilisation. Laissez les pièces refroidir avant d'effectuer toute opération d'entretien, de réglage ou de réparation.
- Ne vous penchez pas trop en avant. Gardez toujours une bonne assise et un bon équilibre. Cela permet de mieux contrôler la machine dans des situations imprévues. Si vous vous penchez trop en avant, vous risquez de perdre l'équilibre et de tomber, ce qui pourrait entraîner des blessures.
- Ne placez jamais aucune partie de votre corps dans une zone dangereuse en cas de mouvement pendant le montage, l'installation, le fonctionnement, l'entretien, la réparation ou le déplacement.
- N'oubliez pas que l'opérateur ou l'utilisateur est responsable des accidents, dangers ou événements imprévus impliquant la machine qui surviennent à d'autres personnes ou à leurs biens. Il incombe à l'utilisateur d'évaluer les risques potentiels de la zone où le travail est effectué. L'opérateur ou l'utilisateur doit prendre toutes les précautions nécessaires pour assurer sa propre sécurité et celle des autres, en particulier sur les pentes ou les terrains accidentés, glissants et instables.

## Inspecter votre machine

- Vérifiez votre machine avant de la démarrer. Maintenez les protections en place et en bon état de fonctionnement. Assurez-vous que tous les écrous, boulons, etc. sont bien serrés.
- Vous devez vérifier l'état général de la machine avant de l'utiliser.
- Ne jamais utiliser la machine lorsqu'elle nécessite une réparation ou est en mauvais état mécanique. Remplacez les pièces endommagées, manquantes ou défectueuses avant de l'utiliser. Maintenez la machine en bon état de fonctionnement.
- N'utilisez pas la machine si le levier OPC de la machine ne l'arrête pas lorsqu'elle fonctionne. Toute machine qui ne peut pas être contrôlée avec l'OPC est dangereuse et doit être remplacée.
- Vérifiez régulièrement que les clés et les clés de réglage ont été retirées de la zone de la machine avant de la démarrer. Une clé ou une clé à molette laissée sur une partie rotative de la machine peut entraîner des blessures corporelles.
- Si la machine commence à vibrer anormalement, arrêtez-la et vérifiez immédiatement la cause. Les vibrations sont généralement un signe avant-coureur de problèmes.
- Évitez tout démarrage accidentel. Assurez-vous que l'OPC est désengagé avant de transporter la machine ou d'effectuer toute opération de maintenance ou d'entretien sur l'appareil. Transporter ou effectuer des opérations de maintenance ou d'entretien sur une machine avec l'OPC engagé expose à des accidents.
- Ne modifiez pas et ne désactivez pas les systèmes de sécurité.
- Utilisez uniquement les accessoires recommandés par le fabricant.
- Avant utilisation, inspectez toujours visuellement les outils pour vous assurer qu'ils ne sont pas usés ou endommagés. Remplacez les éléments et les boulons usés ou endommagés afin de préserver l'équilibre.
- Maintenez la machine en bon état de fonctionnement. L'utilisation de la machine dans un état médiocre ou douteux peut entraîner des blessures graves.
- Assurez-vous que tous les dispositifs de sécurité fonctionnent correctement et que les étiquettes d'avertissement sont en place. Ces éléments sont installés pour votre sécurité.

# Informations de sécurité

## Zone de travail

- Assurez-vous d'inspecter soigneusement toute la zone de travail et de retirer tous les objets et tout ce qui pourrait être projeté par la machine ou endommager le moteur ou la machine (branches, pierres, fils, jouets, etc.). Tenter de nettoyer la zone de travail pendant l'utilisation de la machine réduira votre concentration et créera un risque de chute. Tout liquide renversé sur le sol peut vous faire glisser.
- Vous ne devez travailler qu'à la lumière du jour ou sous un bon éclairage artificiel, dans des conditions de bonne visibilité. Ne travaillez pas la nuit, par temps de brouillard épais ou à tout autre moment où votre champ de vision pourrait être limité et où il serait difficile d'avoir une vue claire de la zone.
- Tenez les personnes, les enfants et les animaux éloignés de la zone de travail.
- Utilisez sur un sol plat.
- NE TRAVAILLEZ PAS sur un sol mouillé. En cas de fortes pluies sur la zone de travail, attendez que le sol ait séché.
- Vous devez accorder une attention particulière lors de l'approche d'obstacles pouvant compromettre la visibilité.
- Faites preuve d'une extrême prudence lors des changements de direction sur les pentes. Lors d'un changement de direction, veillez à ce que les roues n'entrent pas en contact avec des obstacles (tels que racines, branches, pierres, etc.) pouvant entraîner un glissement latéral de la machine ou une perte de contrôle. Évitez d'utiliser l'appareil sur des pentes supérieures à 15 %. Assurez-vous d'avoir un appui stable sur les pentes.
- Repérez et localisez tous les objets fixes dans le sol, tels que les systèmes d'arrosage, poteaux, vannes d'eau, bases pour fils à linge, etc. Assurez-vous de vérifier la présence de câbles électriques cachés ou similaires à la surface de la pelouse. FAITES TOUJOURS passer la machine autour de ces objets. NE JAMAIS faire passer intentionnellement la machine sur des objets étrangers.
- Ne garez jamais la machine dans un endroit où le sol est instable et pourrait s'effondrer.
- Vous devez être prudent à proximité des ravins, fossés ou talus.
- Faites preuve d'une extrême prudence lors de l'utilisation à proximité ou lors de la traversée d'allées, de chemins ou de routes en gravier. Restez vigilant face aux dangers cachés ou à la circulation.
- Soyez extrêmement attentif lors du travail sur un sol gelé, car la machine peut avoir tendance à déraiser.
- Ne travaillez pas sous la pluie, en cas d'orage ou de risque d'éclairs, par vent fort ou violent, ou à tout autre moment où les conditions météorologiques pourraient rendre l'utilisation de ce produit dangereuse. En cas de mauvaises conditions météorologiques, n'utilisez pas la machine.


# Informations de sécurité

## Pendant l'utilisation

- Tenez toujours l'appareil à deux mains lors de son utilisation. Gardez une prise ferme sur le guidon. Sachez que la machine peut rebondir soudainement vers le haut ou sauter vers l'avant si elle heurte des obstacles enterrés tels que de grosses pierres ou des racines.
- N'utilisez pas la machine dans des espaces confinés où l'opérateur risque d'être écrasé entre la machine et un autre objet.
- Marchez, ne courez jamais avec la machine. Soyez très prudent lorsque vous tirez la machine vers vous. Vous devez regarder derrière vous pour vous assurer qu'il n'y a pas d'obstacles avant et pendant les opérations en marche arrière (le cas échéant). Ne laissez pas la machine vous entraîner.
- **AVERTISSEMENT !** Si quelque chose se casse ou si un accident survient pendant le travail, vous devez arrêter le moteur immédiatement et éloigner la machine pour éviter d'autres dommages. En cas d'accident avec blessure ou si des tiers sont blessés, appliquez immédiatement les premiers secours les plus adaptés à la situation et contactez les autorités médicales pour toute prise en charge nécessaire. Retirez soigneusement tout débris susceptible de causer des dommages ou de blesser des personnes ou des animaux s'il n'est pas visible.
- Débrayez le levier d'embrayage avant de démarrer le moteur.
- Faites preuve d'une extrême prudence lors de la marche arrière ou lorsque vous tirez la machine en arrière.
- Ne transportez pas de passagers.
- N'utilisez jamais la machine à une allure rapide.
- Une vitesse excessive de déplacement ou l'absence d'entretien ont une influence significative sur les émissions sonores et les vibrations. Il est nécessaire de prendre des mesures préventives pour éliminer les dommages possibles dus à des niveaux élevés de bruit et au stress causé par les vibrations. Vous devez bien entretenir la machine, porter une protection auditive et faire des pauses pendant le travail.
- Après avoir heurté un objet étranger, arrêtez immédiatement le moteur, retirez le capuchon de la bougie et inspectez soigneusement la machine pour détecter d'éventuels dommages. Réparez les dommages avant de continuer.
- N'essayez jamais d'effectuer des réglages pendant que le moteur tourne.
- N'essayez jamais de déplacer la machine autrement que pour une utilisation normale pendant que le moteur tourne.
- Les dispositifs de commande installés en usine, tels que le câble d'embrayage monté sur la poignée, ne doivent pas être retirés ou exposés.
- Vous devez désengager la lame, arrêter le moteur (en vous assurant que toutes les pièces mobiles sont à l'arrêt) :
  - Avant de faire le plein.
  - Avant de régler la hauteur de coupe.
  - Après avoir heurté un objet étranger, vous devez inspecter la machine pour détecter d'éventuels dommages et effectuer les réparations nécessaires avant de l'utiliser à nouveau.
  - Avant de vérifier ou d'intervenir sur la machine.
  - Avant de dégager les blocages.
  - Lors du transport de la machine.
  - Chaque fois que vous laissez la machine sans surveillance.
  - Lors de la traversée de surfaces autres que l'herbe.
  - Avant de vider le bac de ramassage d'herbe.
  - Avant de changer la hauteur de coupe.

# Informations de sécurité

## Monoxyde de carbone

 **DANGER !** Les gaz d'échappement du moteur contiennent du monoxyde de carbone. C'est un gaz toxique qui peut tuer en quelques minutes. NE JAMAIS utiliser à l'intérieur d'un bâtiment ou dans une zone mal ventilée. N'UTILISEZ JAMAIS dans un espace confiné, tel qu'une maison, un garage, un véhicule, un bateau ou une tente. N'UTILISEZ QUE à l'extérieur et loin des fenêtres, portes et bouches d'aération.

**LE MONOXYDE DE CARBONE EST UN GAZ INCOLORE ET INODORE. L'INHALATION DE CE GAZ PEUT PROVOQUER LA MORT OU DES PROBLÈMES DE SANTÉ GRAVES ET DURABLES, COMME DES LÉSIONS CÉRÉBRALES.**

N'utilisez jamais le moteur dans un espace confiné où des fumées dangereuses de monoxyde de carbone peuvent se développer. Toutes les opérations d'allumage doivent être effectuées dans un endroit ouvert ou bien ventilé. N'oubliez jamais que les gaz d'échappement sont toxiques.

Les symptômes de l'intoxication au monoxyde de carbone peuvent inclure, sans s'y limiter, les suivants : maux de tête, étourdissements, nausées, essoufflement, évanouissement ou perte de connaissance.

Les symptômes de l'intoxication au monoxyde de carbone sont similaires à ceux de la grippe, de l'intoxication alimentaire, des infections virales et simplement de la fatigue. Il est assez courant que les gens confondent cette intoxication très dangereuse avec autre chose.

Pour éviter l'intoxication au monoxyde de carbone, N'UTILISEZ PAS d'équipement fonctionnant à l'essence ou au diesel à l'intérieur des lieux suivants : maison, garage, tente, camping-car, mobil-home, caravane ou bateau. NE PAS utiliser dans un espace clos ou un véhicule en mouvement. Cette liste n'est pas exhaustive et, en cas de doute, veuillez contacter votre revendeur.

Si vous pensez que vous-même ou une personne autour de vous a été victime d'une intoxication au monoxyde de carbone : procurez-lui immédiatement de l'air frais en quittant la zone affectée ou en ouvrant portes et fenêtres. Si cela est sûr et possible, assurez-vous que la machine est éteinte. N'ENTREZ PAS dans une pièce où vous soupçonnez la présence de monoxyde de carbone – appelez plutôt les services d'urgence.

Contactez un médecin immédiatement ou rendez-vous à l'hôpital – informez-les que vous soupçonnez une intoxication au monoxyde de carbone.

# Informations de sécurité

## Sécurité du carburant



**ATTENTION ! TOUS LES CARBURANTS SONT TRÈS INFLAMMABLES ET LES VAPEURS D'ESSENCE SONT EXPLOSIVES. SOYEZ EXTRÊMEMENT PRUDENT LORS DE LA MANIPULATION DU CARBURANT. GARDER LE CARBURANT HORS DE PORTÉE DES ENFANTS.**

## Sécurité générale

- Ne fumez pas lors de la manipulation de carburant.
- ÉVITEZ TOUJOURS d'inhaler les fumées.
- TRANSPORTEZ TOUJOURS le carburant dans un récipient approprié et clairement identifié.
- Portez TOUJOURS des équipements de protection individuelle (EPI) appropriés, adaptés et conformes à l'usage prévu ; les articles suggérés incluent, sans s'y limiter, des gants de sécurité et une combinaison.
- Pour éviter les étincelles ou les arcs électriques, gardez les objets conducteurs mis à la terre – tels que les outils – éloignés des parties et connexions électriques sous tension et exposées. Ces événements pourraient enflammer les fumées ou les vapeurs.
- N'utilisez pas la machine si vous savez qu'il y a des fuites dans le système de carburant.
- Risque d'incendie - gardez le carburant éloigné de toute source d'inflammation, par exemple les chauffages, lampes, étincelles provenant du meulage ou du soudage.
- N'effectuez PAS de travaux à chaud sur des réservoirs ayant contenu du carburant.
- GARDEZ TOUJOURS la zone de travail propre et bien rangée.
- ÉLIMINEZ TOUJOURS les carburants usagés de manière appropriée.
- Des blessures graves peuvent survenir si de l'essence est renversée sur vous ou vos vêtements. Rincez votre peau et changez de vêtements immédiatement.

## Carburant renversé

- Si vous avez renversé du carburant, assurez-vous de ne pas tenter de démarrer le moteur, éloignez la machine de la zone où le carburant a été renversé et évitez de créer toute source d'inflammation jusqu'à ce que le carburant se soit évaporé et que les vapeurs se soient dissipées.
- En cas de déversement de carburant sur vous-même ou sur vos vêtements, lavez votre peau et changez de vêtements immédiatement.
- NETTOYEZ TOUJOURS immédiatement les déversements à l'aide de granulés absorbants et d'une poubelle munie d'un couvercle.

## Informations sur le carburant

Utilisation de l'essence E10 Important : Ce produit doit être utilisé UNIQUEMENT avec du carburant sans plomb de haute qualité. Utilisez TOUJOURS de l'essence automobile adaptée aux moteurs à quatre temps ; NE mélangez PAS le carburant et l'huile. Il est recommandé d'utiliser du carburant automobile E10 (95 RON), avec un additif ou un stabilisant approprié dans ce produit. Les dommages causés par l'absence de carburant ou l'utilisation d'un carburant incorrect ou de mauvaise qualité ne sont pas couverts par votre garantie. ATTENTION ! L'essence E10 est hygroscopique et attire l'humidité, ce qui peut endommager le système d'alimentation si elle est stockée dans le produit pendant plus de quatre semaines. Après avoir vidé le réservoir de carburant, faites toujours tourner le moteur jusqu'à ce que le dernier carburant du système soit consommé et videz la cuve du flotteur lorsque le moteur est froid. L'essence E10 doit être utilisée dans les 30 jours suivant l'achat. Certaines marques d'essence contiennent d'autres quantités d'éthanol. N'UTILISEZ PAS de carburants contenant plus de 10 % d'éthanol dans votre produit Genpower. Stockez et éliminez toujours les carburants de manière responsable et conformément à la réglementation locale.

# Informations de sécurité

## ⚠ Sécurité de la batterie



Il existe un risque d'explosion si les bornes de la batterie sont court-circuitées, lors de la connexion/déconnexion, faites TOUJOURS preuve de la plus grande prudence afin que les bornes ou les câbles de la batterie ne puissent PAS se toucher et provoquer un étincelle. Utilisez TOUJOURS des outils isolés adaptés.

Les batteries présentent un risque si elles sont endommagées par une éventuelle fuite d'électrolyte.

Cet électrolyte est un acide et peut provoquer de graves brûlures. Il convient de faire preuve de prudence

lorsque vous travaillez sur ou à proximité de celles-ci. REMARQUE : l'électrolyte peut être sous forme liquide ou gélifiée.

Si vous entrez en contact avec de l'électrolyte, vous devez :

- Retirez tous les vêtements contaminés par l'électrolyte. Si vous ne pouvez pas les retirer, imbitez-les d'eau.
- Demandez une assistance médicale dès que possible. **Cette machine contient des batteries LiFePO<sub>4</sub> avec un électrolyte lipf<sup>é</sup>.**
- Utilisez de l'eau courante propre pour éliminer l'excès d'électrolyte, continuez jusqu'à ce que l'assistance médicale arrive. Assurez-vous de ne pas transférer l'électrolyte vers une autre partie de votre corps ou de votre visage.
- Si l'électrolyte entre en contact avec les yeux, il doit être immédiatement rincé à grande eau. Assurez-vous de ne pas laver l'électrolyte vers une autre partie de votre visage ou de votre corps.
- Les gaz provenant de la charge des batteries sont hautement inflammables et il convient de faire preuve d'une grande prudence pour charger dans des zones bien ventilées.

## Sécurité électrique (le cas échéant)

Avant d'effectuer tout travail de maintenance, vous DEVEZ identifier les méthodes d'isolement électrique et isoler toutes les alimentations électriques.

- Avant utilisation et avec toutes les alimentations électriques isolées, vous DEVEZ vérifier tous les câbles, prises et connecteurs pour les éléments suivants :

- Sont intacts et ne présentent aucun signe de dommage, y compris mais sans s'y limiter, des fils dénudés,

des frottements, des coupures et des fils desserrés.

- En cas de signe de dommage, l'élément endommagé DOIT être mis hors service jusqu'à ce que

le dommage ait été réparé par une personne compétente en électricité.

- Tous les câbles traînants doivent être acheminés de manière à ne présenter aucun risque de trébuchement.

- NE JAMAIS travailler sur ou à proximité d'une installation électrique avec les mains, des vêtements ou des gants mouillés.

# Informations de sécurité

## Ravitaillement/Dépotage

- FAITES TOUJOURS le plein et la vidange dans un endroit bien ventilé à l'extérieur des bâtiments. Utilisez un entonnoir pour ajouter du carburant, uniquement à l'extérieur. Ne fumez pas pendant cette opération et à chaque fois que vous manipulez du carburant.
- Ajoutez du carburant avant d'allumer le moteur, ne retirez jamais le bouchon du réservoir de carburant et n'ajoutez pas de carburant lorsque le moteur fonctionne ou est chaud.
- Lors du dépotage, utilisez TOUJOURS un dispositif de récupération de carburant approprié.
- Ne remplissez jamais trop le réservoir de carburant. La chaleur du moteur peut faire dilater le carburant, ne remplissez jamais le réservoir à plus de 1/2" sous le bas du goulot de remplissage. Cela laissera de la place pour l'expansion du carburant.
- Lors du remplissage ou de la vidange du réservoir de carburant, utilisez un récipient de stockage de carburant homologué dans un endroit extérieur propre et bien ventilé. Pendant l'ajout de carburant ou l'utilisation de l'appareil, ne fumez pas et tenez-vous à l'écart des étincelles, flammes nues ou autres sources d'inflammation à proximité de la zone d'opération.
- Arrêtez toujours le moteur et laissez-le refroidir avant de remplir le réservoir de carburant. Ne retirez jamais le bouchon du réservoir de carburant et n'ajoutez jamais de carburant lorsque le moteur tourne ou est chaud.
- Desserrez lentement le bouchon du réservoir de carburant pour relâcher toute pression dans le réservoir.
- Gardez TOUJOURS les poignées sèches, propres et exemptes d'huile et de carburant.
- Après avoir fait le plein, assurez-vous de bien serrer le bouchon.
- N'utilisez jamais la fonction de verrouillage lors du remplissage de carburant.

## Stockage du carburant

- Stockez le carburant dans des récipients spécialement conçus et approuvés pour le stockage du carburant.
- Stockez le carburant dans un endroit frais et bien ventilé, à l'abri des étincelles, des flammes nues ou d'autres sources d'inflammation.
- Ne stockez jamais de carburant – ni une machine contenant du carburant dans le réservoir – à l'intérieur d'un bâtiment où les vapeurs pourraient atteindre une étincelle, une flamme nue ou toute autre source d'inflammation (comme un chauffe-eau, une chaudière ou un sèche-linge). Laissez le moteur refroidir avant de le stocker dans un local fermé.
- Remplacez soigneusement tous les bouchons des réservoirs et des récipients à carburant et essuyez tout carburant renversé. N'utilisez jamais l'appareil sans que le bouchon du réservoir ne soit correctement fixé.

# Informations de sécurité

## **Vibrations (le cas échéant)**

- Le bruit de fonctionnement de la machine peut endommager votre audition. Portez des protections telles que des bouchons d'oreille ou des casques antibruit pour protéger votre audition. Il est conseillé aux utilisateurs réguliers et à long terme de faire contrôler leur audition régulièrement. Soyez particulièrement vigilant et prudent lorsque vous portez des protections auditives, car votre capacité à entendre les alarmes sera réduite.
- Les émissions sonores de cet équipement sont inévitables. Effectuez les travaux bruyants à des heures autorisées et pendant des périodes déterminées. Limitez le temps de travail au minimum. Pour votre protection personnelle et la protection des personnes travaillant à proximité, il est également conseillé qu'elles portent une protection auditive.
- Consultez la section Certificat de Conformité pour la déclaration de conformité relative au bruit extérieur.

## **Bruit (le cas échéant)**

- Le bruit de fonctionnement de la machine peut endommager votre audition. Portez des protections telles que des bouchons d'oreille ou des casques antibruit pour protéger votre audition. Il est conseillé aux utilisateurs réguliers et à long terme de faire contrôler leur audition régulièrement. Soyez particulièrement vigilant et prudent lorsque vous portez des protections auditives, car votre capacité à entendre les alarmes sera réduite.
- Les émissions sonores de cet équipement sont inévitables. Effectuez les travaux bruyants à des heures autorisées et pendant des périodes déterminées. Limitez le temps de travail au minimum. Pour votre protection personnelle et celle des personnes travaillant à proximité, il est également conseillé de porter des protections auditives.
- Consultez la section Certificat de Conformité pour la déclaration de conformité relative au bruit extérieur.

# Informations de sécurité

## ⚠ Équipement de protection individuelle

Un équipement de protection individuelle (EPI) approprié DOIT être porté à tout moment lors de l'utilisation ou de la réparation de la machine. Aucun équipement de protection ne peut garantir une protection à 100 %.

Lorsque vous choisissez un EPI, assurez-vous qu'il porte le marquage CE et qu'il convient à l'utilisateur en termes de taille, d'ajustement, etc. Si plusieurs EPI sont portés en même temps, assurez-vous qu'ils peuvent être utilisés ensemble, par exemple le port de lunettes de sécurité peut perturber l'étanchéité d'un respirateur, provoquant des fuites d'air.



### **Le port de gants de protection est obligatoire**

Le port de gants de protection non conducteurs d'électricité est fortement recommandé pendant le travail.



### **Le port de protections pour les pieds est obligatoire**

Il est fortement recommandé de porter des chaussures robustes antidérapantes lors de l'utilisation.



### **Une protection auditive doit être portée**

Il est recommandé de porter une protection auditive appropriée.



### **Le port de lunettes de protection est obligatoire**

Portez toujours des lunettes de sécurité/des lunettes de protection et/ou un écran facial. Les lunettes de vue courantes sont uniquement équipées de verres résistants aux chocs ; elles ne constituent pas des lunettes de sécurité/lunettes de protection.



### **Des vêtements de protection doivent être portés**

Ne portez pas de vêtements amples, de gants, d'écharpes, de cravates ou de bijoux (bagues, montres-bracelets) qui pourraient se coincer dans les pièces mobiles.



### **Une protection pour la tête doit être portée**

Portez un casque de sécurité avec une visière de sécurité.













### **Une visière de protection doit être portée**

Portez une visière de protection pour protéger votre visage

# Informations de sécurité

## ⚠ Symboles sur la machine

Nous avons fourni des messages de sécurité dans ce manuel et sur la machine. Ces informations vous alertent sur les dangers potentiels qui pourraient vous blesser ou blesser d'autres personnes. Veuillez lire attentivement ces messages. Cependant, il est possible que nous n'ayons pas répertorié tous les dangers potentiels. Vous devez également faire preuve de bon sens.

Symbole	Description	Symbole	Description
	AVERTISSEMENT, si vous ne comprenez pas les risques liés à cette machine, vous représentez un danger. Lisez le manuel pour utiliser la machine en toute sécurité		Ne faites pas le plein de la machine pendant qu'elle fonctionne
	Avertissement de projection. Cette machine présente un risque de projection ; veuillez maintenir une distance de sécurité avec les personnes présentes dans la zone de travail.		Avertissement de surface chaude. Ne touchez pas les surfaces proches de cet autocollant car il existe un risque de brûlure.
	Avertissement de monoxyde de carbone. Cette machine doit être utilisée dans un endroit bien ventilé		Carburant et lunettes de protection. Cette machine nécessite de l'essence et il est impératif de toujours porter des lunettes de protection
	Les déchets d'équipements électriques ne doivent pas être jetés avec les ordures ménagères. Veuillez recycler lorsque des installations existent. Veuillez consulter votre autorité locale ou votre revendeur pour obtenir des conseils sur le recyclage.		Ce produit est conforme aux directives européennes et une méthode d'évaluation de conformité à ces directives a été réalisée
	Le marquage UKCA (UK Conformity Assessed) est un marquage britannique obligatoire pour les produits commercialisés en Grande-Bretagne (Angleterre, Pays de Galles et Écosse).		Données relatives au niveau de puissance acoustique LWA en dB.

# Informations de sécurité

## Utilisation prévue

La HYM18150SPX est une tondeuse à gazon à essence de HYUNDAI. La HYM18150SPX a une largeur de coupe de 460 mm et est équipée d'un moteur de 139 cm<sup>3</sup>.

La HYM18150SPX est un outil de jardinage et plus précisément une tondeuse à gazon à conducteur marchant. La machine est essentiellement composée d'un moteur qui entraîne une lame enfermée dans un carter, équipée de roues et d'une poignée. L'utilisateur peut faire fonctionner la machine et utiliser les commandes principales, tout en restant toujours derrière la poignée à une distance de sécurité de la lame en rotation.

Si l'utilisateur quitte la machine, celle-ci s'arrêtera.

La tondeuse est fabriquée conformément aux dernières exigences de sécurité. Celles-ci incluent un frein de lame qui arrête la machine et la lame lorsque vous relâchez le levier OPC. Chaque précaution n'est efficace que si elle est suivie à la lettre.

### Utilisation prévue

Cette machine a été conçue et fabriquée pour couper et ramasser l'herbe dans les jardins et les zones herbeuses, dans des zones proportionnelles à sa capacité de coupe, sous le contrôle d'un opérateur piéton.

### Types d'utilisateurs

Cette machine est destinée à être utilisée par des consommateurs, c'est-à-dire des opérateurs non professionnels. La machine est destinée uniquement à un usage « bricolage » et domestique.

Ce matériel de jardinage n'est pas destiné à être utilisé par des personnes (y compris les enfants) ayant des capacités physiques, sensorielles ou mentales réduites, ou manquant d'expérience et de connaissances, sauf si elles ont reçu une surveillance ou des instructions concernant l'utilisation de la machine par une personne responsable de leur sécurité. Ne laissez jamais des enfants ou des personnes non familières avec ces instructions utiliser cet outil de jardinage.

Surveillez les enfants. Cela garantira que les enfants ne jouent pas avec l'appareil.

Toute autre utilisation n'est pas conforme à l'usage prévu. L'utilisation inappropriée n'est pas couverte par la garantie et le fabricant déclinera toute responsabilité. L'utilisateur est responsable de toutes les blessures causées à des tiers et des dommages à leurs biens. N'utilisez l'appareil que dans l'état technique stipulé et livré par le fabricant. Toute modification arbitraire de l'appareil dégage le fabricant de toute responsabilité en cas de blessure et/ou de dommage résultant.

### Utilisation inappropriée

Toute autre utilisation non conforme à celles mentionnées ci-dessus peut être dangereuse et causer des blessures et/ou des dommages matériels. Les exemples d'utilisation inappropriée peuvent inclure, sans s'y limiter :

- transporter des personnes, des enfants ou des animaux sur la machine
- se laisser transporter par la machine
- utiliser la machine pour tracter ou pousser des charges
- utiliser la machine pour ramasser des feuilles ou des débris
- utiliser la machine pour tailler des haies ou couper autre chose que de l'herbe
- utilisation de la machine par plus d'une personne
- utiliser la lame sur des surfaces autres que de l'herbe

# Déballage

**⚠ AVERTISSEMENT : Le déballage et l'assemblage de la machine doivent être effectués sur une surface plane et suffisamment dégagée. La mise au rebut de l'emballage doit être effectuée conformément à la réglementation locale en vigueur.**

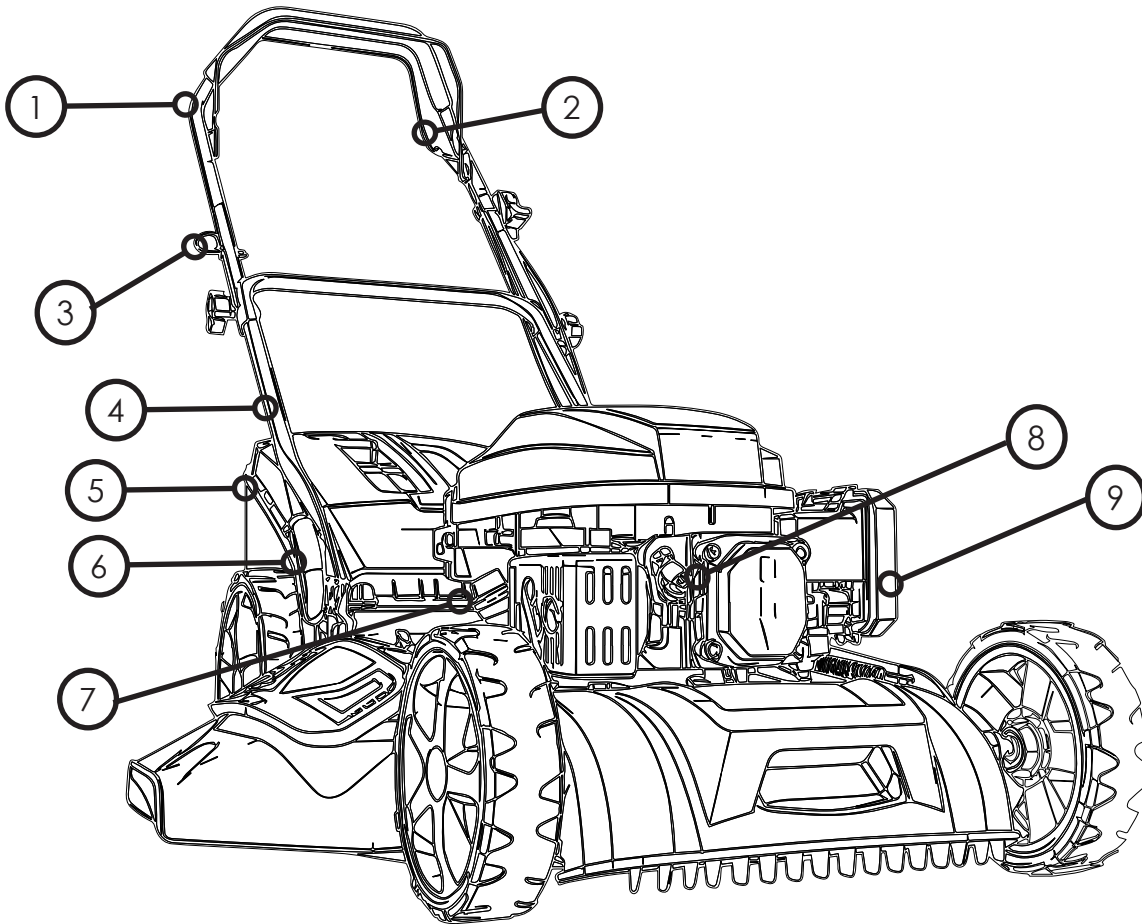
**⚠ AVERTISSEMENT : Certains matériaux d'emballage peuvent être dangereux pour les enfants. Gardez-le hors de portée des enfants.**

1. Retirez soigneusement le produit de son emballage et examinez-le pour détecter tout signe de dommage causé lors du transport.
2. Disposez le contenu et vérifiez-le. Si une pièce est endommagée ou manquante, vous ne devez pas utiliser la machine. Contactez immédiatement HYUNDAI POWER PRODUCTS.
3. Vous devez conserver l'emballage au cas où la machine devrait être retournée ou réparée.
4. Assurez-vous de disposer de tous les accessoires et outils nécessaires pour l'assemblage et l'utilisation, y compris les équipements de protection individuelle appropriés.

Nous vous recommandons de remplir les informations dans la section « Fiche produit ». Si vous devez contacter un revendeur agréé ou le service clientèle, vous devrez peut-être fournir ces informations.

# Caractéristiques

\* NON À L'ÉCHELLE



1. Levier OPC
2. Levier d'entraînement
3. Lanceur à rappel
4. Poignée inférieure
5. Bac de ramassage d'herbe
6. Poignée de réglage de la hauteur
7. Bouchon d'huile moteur
8. Bougie d'allumage
9. Filtre à air

# Assemblage

## Assemblage du guidon

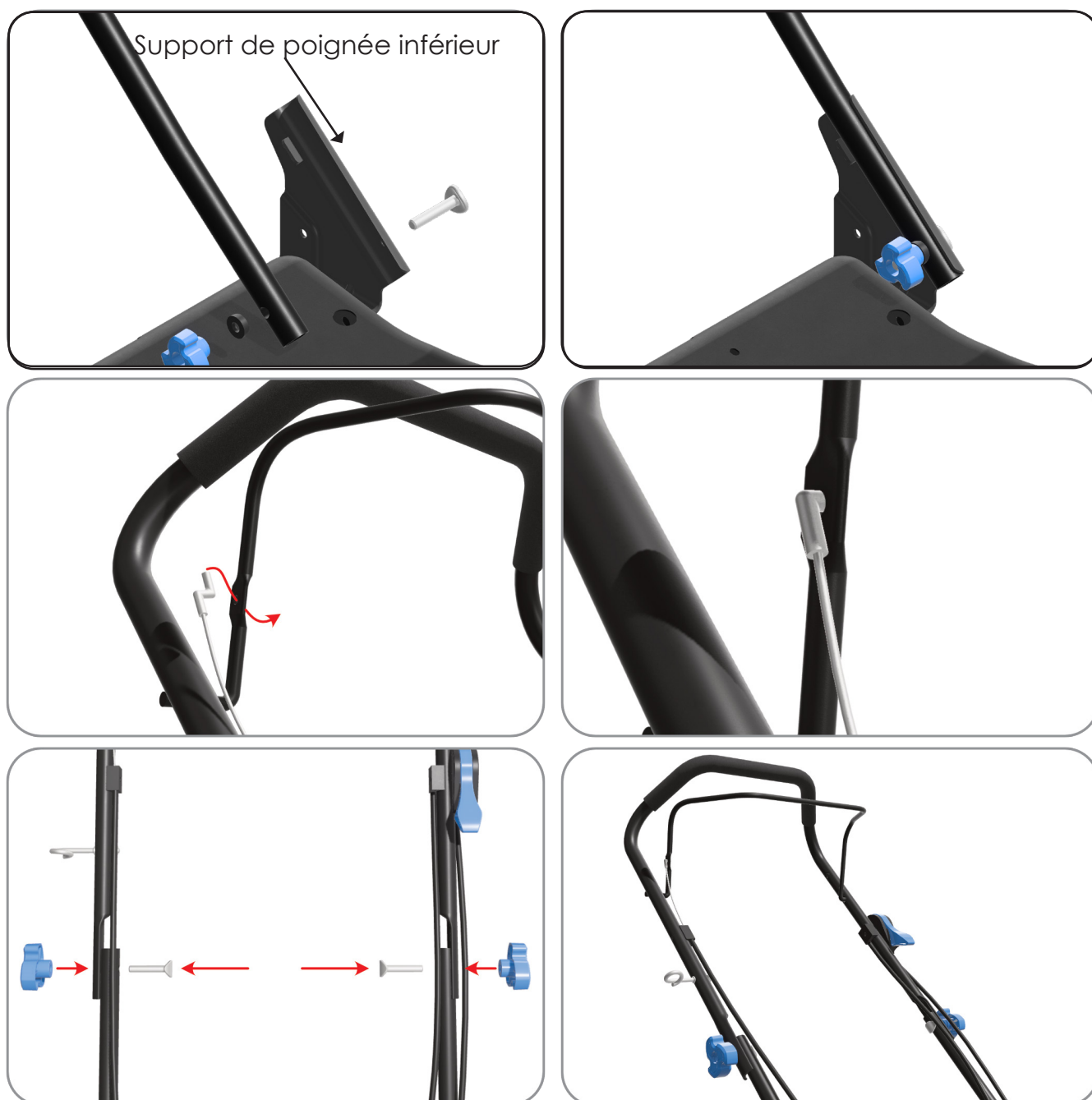
**REMARQUE :** Lors de l'assemblage des poignées, assurez-vous que le support de lanceur (queue de cochon) se trouve du côté droit de la machine lorsque vous vous tenez derrière celle-ci.

### Étape 1 : Assemblez les poignées inférieures.

Placez le boulon de la poignée inférieure à travers le support du carter, puis de l'autre côté du support, faites passer le boulon à travers la poignée inférieure. Fixez avec une rondelle et un écrou. Répétez l'opération des deux côtés.

**Étape 2 :** Passez le câble OPC dans le levier de la poignée supérieure comme indiqué ci-dessous.

**Étape 3 :** Fixez les poignées inférieures à la poignée supérieure. Insérez un boulon depuis l'intérieur de la poignée inférieure à travers la poignée supérieure, puis fixez-le à l'aide d'un bouton de verrouillage. Répétez cette opération des deux côtés.



# Assemblage

## Assemblage du bac de ramassage d'herbe

Étape 1 : Fixez le couvercle du bac à herbe au sac. Commencez à fixer les clips d'un côté et poursuivez tout autour jusqu'à l'autre côté.

Étape 2 : Soulevez le couvercle de décharge arrière et accrochez le bac de ramassage en place.



## Bouchon de mulching

Le bouchon de mulching est utilisé lorsque vous souhaitez que les résidus de coupe restent sur la pelouse. Les résidus de coupe servent d'engrais pour votre gazon. Pour ajouter ou retirer le bouchon de mulching, placez-le dans l'orifice d'éjection à l'arrière de la machine sous le capot d'éjection arrière.



## Goulotte d'éjection latérale

La goulotte d'éjection latérale est utilisée lorsque vous ne souhaitez pas ramasser les résidus de coupe, mais que l'herbe est trop longue pour le mulching. La goulotte d'éjection latérale facilitera le ratissage ultérieur. La goulotte se fixe simplement sur le côté du carter de la tondeuse. Soulevez le capot d'éjection latérale et installez la goulotte.



# Vérifications avant utilisation

## Vérification du niveau d'huile

**⚠ AVERTISSEMENT ! CETTE MACHINE EST LIVRÉE SANS HUILE. VOUS DEVEZ REMPLIR LA MACHINE D'HUILE AVANT DE LA DÉMARRER POUR LA PREMIÈRE FOIS.**

**AVERTISSEMENT :** Les vérifications et procédures suivantes sont essentielles pour éviter tout dommage et dysfonctionnement de votre machine. Vous DEVEZ les suivre.

**Huile recommandée :** Utilisez toujours une huile SAE30 de haute qualité (ou équivalent, par exemple SAE 10W/30, souvent appelée huile pour tondeuse 4 temps). N'utilisez jamais d'additifs avec l'huile recommandée. Pour prolonger la durée de vie de votre moteur, il est important de changer l'huile après les cinq premières heures d'utilisation. Ensuite, suivez les instructions de la section maintenance du manuel.

**Étape 1 :** Arrêtez la machine sur un sol plat. Si votre machine est posée sur une pente, les relevés seront inexacts.

**Étape 2 :** Retirez la jauge de remplissage d'huile et essuyez-la avec un chiffon propre.

**Étape 3 :** Insérez la jauge dans le goulot de remplissage d'huile, sans la visser.

**Étape 4 :** Retirez ensuite la jauge et vérifiez le niveau d'huile. Le niveau d'huile doit se situer entre les repères Min et Max sur la jauge. Si le niveau est proche du minimum, complétez jusqu'au niveau supérieur avec l'huile recommandée (SAE30 ou équivalent). Ne pas trop remplir. Essuyez toute trace d'huile renversée.

**Étape 5 :** Alignez les nervures du bouchon avec la rainure du goulot de remplissage. Puis tournez d'un quart de tour pour le fixer.



# Vérifications avant utilisation

## Remplissage de carburant

**⚠️ REMARQUE :** Utilisez toujours de l'essence sans plomb E5 ou E10 propre et fraîche. Ne remplissez que la quantité de carburant pouvant être utilisée dans les 30 jours. Le carburant peut devenir impropre à l'usage après 30 jours, ce qui peut entraîner des problèmes de fonctionnement de la machine.

**⚠️ AVERTISSEMENT :** Ceci est une machine à 4 temps. Il n'est pas nécessaire de mélanger de l'huile au carburant.

**⚠️ AVERTISSEMENT :** L'essence est hautement inflammable et des précautions extrêmes doivent être prises lors de sa manipulation ou de son utilisation.

**⚠️ AVERTISSEMENT !** CETTE MACHINE EST LIVRÉE SANS HUILE. VOUS DEVEZ REMPLIR LA MACHINE D'HUILE AVANT DE LA DÉMARRER POUR LA PREMIÈRE FOIS.

1. Nettoyez la zone autour du bouchon de remplissage d'essence avant de retirer le bouchon. Retirez l'étiquette d'avertissement, puis vérifiez le niveau de carburant.
2. Remplissez le réservoir si le niveau de carburant est bas. (Lors du premier démarrage de la machine, le réservoir de carburant sera vide)
3. Faites le plein avec précaution afin d'éviter tout débordement ou déversement de carburant. Il ne doit pas y avoir de carburant dans le goulot de remplissage.
4. Nettoyez tout débordement ou éclaboussure d'essence avant de démarrer le moteur.
5. Serrez le bouchon de remplissage après le remplissage, serré à la main.



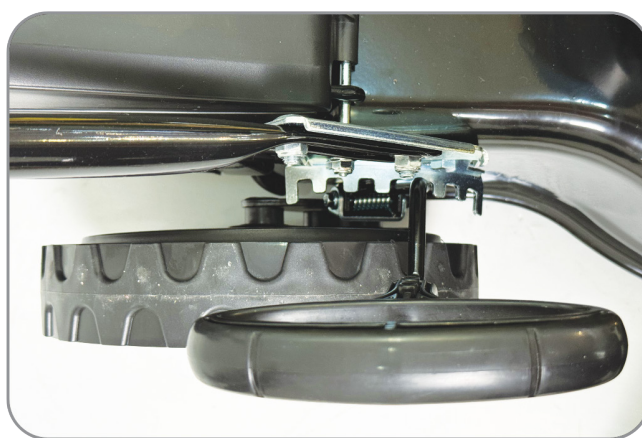
# Fonction

## Réglage de la hauteur de coupe

**⚠ AVERTISSEMENT ! N'effectuez les réglages de coupe de la machine que lorsque celle-ci est éteinte et que toutes les pièces mobiles sont à l'arrêt.**

La hauteur de coupe se règle de manière centrale à l'aide de la poignée de réglage de la hauteur de coupe. Différentes hauteurs de coupe peuvent être sélectionnées.

Tirez la poignée de réglage et sélectionnez la hauteur de coupe souhaitée. La poignée s'enclenche dans la position souhaitée. Cette machine dispose de 6 hauteurs de coupe de 25 mm à 75 mm



# Fonction

## Démarrage et arrêt

**⚠ AVERTISSEMENT : La lame tournera dès que le moteur sera démarré.**

**⚠ AVERTISSEMENT : N'utilisez la machine que dans des zones bien ventilées.**

**⚠ AVERTISSEMENT : Gardez toutes les parties du corps et les vêtements à l'écart des pièces mobiles de la machine. Le contact avec ces pièces peut causer des blessures et des dommages. Cela s'applique également à l'échappement et aux autres parties chaudes de la machine.**

**⚠ Pour démarrer la machine, assurez-vous qu'elle est remplie d'huile et d'essence, et que la bougie d'allumage est connectée.**

## Démarrage

Étape 1 : Lors du démarrage, tirez la manette des gaz en position « START ».

Étape 2 : Tenez-vous derrière la tondeuse. Tirez le levier OPC du moteur vers la poignée supérieure avec une main. Et placez l'autre main sur le lanceur à rappel (démarrage par traction sur le moteur).

Étape 3 : Tirez sur le lanceur à rappel sur environ 10-15 cm jusqu'à ressentir une résistance, puis démarrez le moteur d'un coup sec. Lorsque le moteur démarre, remplacez le lanceur à rappel dans son support.



## Arrêt

Pour arrêter le moteur, relâchez simplement le levier OPC. Cela devrait arrêter immédiatement le moteur.

# Fonction

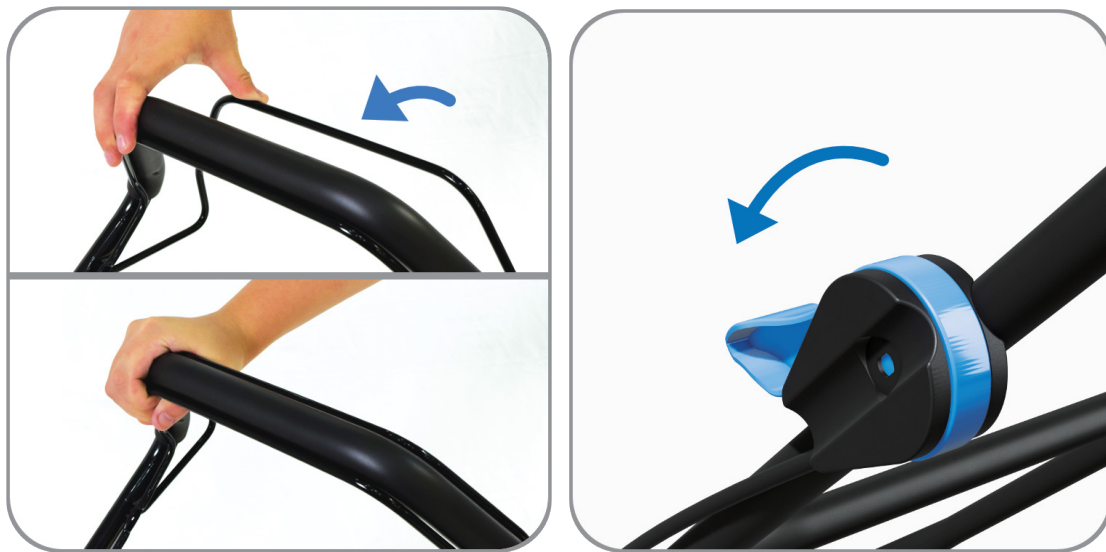
## Autopropulsion

**⚠ AVERTISSEMENT : Avant d'utiliser la machine, assurez-vous que la zone de travail est dégagée de tout obstacle ou de toute personne susceptible de présenter un danger.**

**⚠ AVERTISSEMENT : Lorsque vous avez terminé avec la machine, ramenez la manette des gaz en position lente (tortue).**

Étape 1 : Avec le moteur en marche et en maintenant le levier OPC, tirez le levier d'entraînement vers la poignée principale. Remarque : Le levier d'entraînement permet d'engager un engrenage d'entraînement et propulsera votre tondeuse vers l'avant. Ce levier doit être entièrement tiré ou complètement relâché. L'utiliser comme un embrayage, comme dans un véhicule à moteur, entraînera une usure excessive et des dommages à la boîte de vitesses d'entraînement.

Étape 2 : Pour augmenter la vitesse, poussez la manette des gaz vers l'avant en position rapide « RUN ».



## Résolution d'un « moteur noyé »

**⚠ REMARQUE : Si le moteur ne démarre pas après plusieurs tentatives, il se peut qu'il soit noyé par un excès de carburant. Utilisez la procédure suivante pour purger et démarrer un moteur noyé.**

Étape 1 : Assurez-vous que toutes les pièces mobiles sont à l'arrêt et que la machine a refroidi. Étape 2 : Retirez la bougie d'allumage du moteur. Étape 3 : Séchez et nettoyez la bougie d'allumage, puis réinstallez-la soigneusement à la main dans un premier temps. Ceci permet d'éviter d'endommager le filetage.

# Entretien de la pelouse

## Conseils généraux de tonte



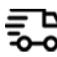
- Maintenez une hauteur de coupe constante. Ne réduisez pas la hauteur de l'herbe à moins de la moitié de sa hauteur d'origine.
- Dans certaines conditions, comme une herbe très haute, il peut être nécessaire d'augmenter la hauteur de coupe pour réduire l'effort de poussée, éviter la surcharge du moteur et empêcher la formation de touffes de résidus de coupe.
- Il peut également être nécessaire de réduire la vitesse d'avancement et/ou de repasser la tondeuse une seconde fois sur la zone. Pour une coupe très dense, réduisez la largeur de coupe en chevauchant le passage précédent et tondez lentement.

## À quelle fréquence dois-je tondre ?

**Printemps (mars, avril & mai)** Tondez une fois par semaine avec un réglage de hauteur élevé à moyen. **Été (juin, juillet & août)** Tondez deux fois par semaine dans de bonnes conditions de croissance avec un réglage bas. En conditions sèches, tondez une fois par semaine avec un réglage de hauteur moyen à élevé.

**Automne (septembre, octobre & novembre)** Tondez une fois par semaine avec un réglage de hauteur moyen. **Hiver (décembre, janvier & février)** Tondez selon les besoins avec un réglage de hauteur élevé.

# POWER SPARES

 No hassle returns  Over 10,000 spare parts  Same day dispatch\*



**Code QR** – Scannez le code QR pour un lien direct vers notre site web **Notre site web** : [power-spare.co.uk](http://power-spare.co.uk)

**Appelez-nous** : 01646 404406

**Envoyez-nous un e-mail** : [sales@power-spare.co.uk](mailto:sales@power-spare.co.uk)

Pour maintenir votre machine en parfait état de fonctionnement, un entretien et des soins appropriés sont essentiels. Certaines machines possèdent des pièces consommables qui devront être remplacées afin de garantir leur fonctionnement optimal. Power-Spares fournit des pièces d'origine pour toutes vos machines, garantissant ainsi leur maintien en parfait état.

## Nettoyage général

Power-Spares est là pour vous aider si vous endommagez la lame de votre tondeuse à gazon, si vos bougies d'allumage ne produisent plus d'étincelles ou si votre lanceur se casse. Power-Spares opère sous le nom commercial Genpower Limited.

Membre de la famille Genpower, Power-Spares vous offre l'expertise, l'efficacité et l'assurance qualité d'une grande organisation. Nous utilisons les dernières technologies en matière d'entreposage, de distribution, de service à la clientèle et de gestion des stocks afin de vous garantir une livraison rapide de vos pièces.

Grâce à son stock important de pièces de rechange dans ses entrepôts au Royaume-Uni, Power-Spares est prêt à vous aider rapidement lorsque votre machine a besoin d'être réparée. Nous nous engageons à vous aider à reprendre votre activité le plus rapidement possible.

# Entretien et maintenance

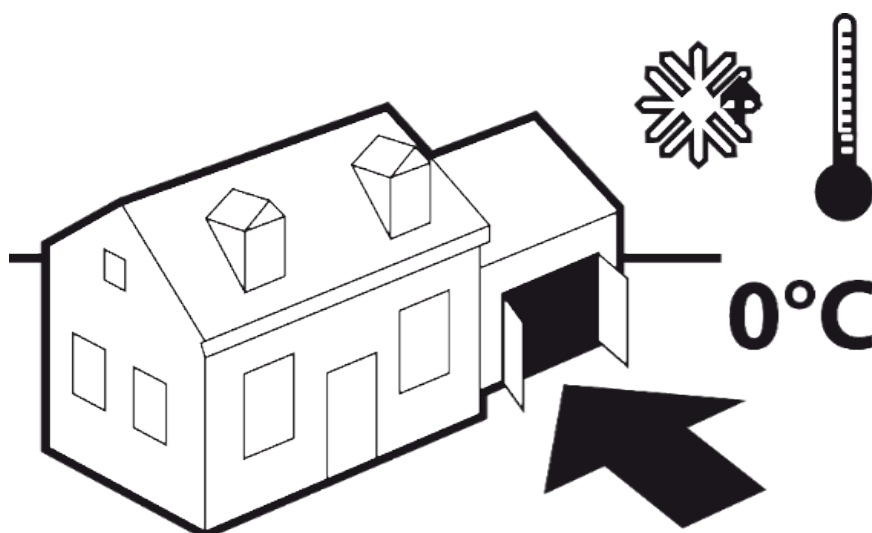
## Entretien général

**⚠ AVERTISSEMENT : Éteignez la machine, attendez l'arrêt complet de toutes les pièces mobiles et débranchez le cordon d'alimentation avant toute opération de maintenance. Vous devez porter des vêtements appropriés et des gants de protection lorsque vos mains sont exposées à un risque.**

- Serrez tous les écrous, boulons et vis pour vous assurer que la machine est en état de fonctionner en toute sécurité.
- Remplacez les pièces usées ou endommagées pour des raisons de sécurité. Utilisez uniquement des pièces et accessoires recommandés par le fabricant.
- Lubrifiez les roues toutes les 100 heures
- Vérifiez périodiquement les câbles autour des machines pour détecter tout dommage ou connexion desserrée.
- Vérifiez toujours que les freins des machines fonctionnent correctement.
- Examinez régulièrement les batteries, assurez-vous qu'elles sont propres et sèches.
- Chargez toujours vos batteries complètement avant utilisation

## Rangement

- Conservez la machine dans un endroit sec et plat, à l'abri de l'humidité et de la pluie. Laissez la machine refroidir avant de la ranger.
- Assurez-vous que la machine est propre et sèche avant de la ranger.
- Veillez à ce que la machine soit rangée dans une position où personne ne puisse marcher dessus pour atteindre des objets en hauteur, en raison du risque de déplacement.
- NE PAS ranger la machine à proximité d'une source d'inflammation, telle qu'un poêle à bois, un radiateur à gaz ou électrique, ou un appareil ou un radiateur avec une veilleuse.
- Rangez la machine hors de portée des enfants ou de toute personne qui ne connaît pas son fonctionnement.
- NE PAS empiler d'autres objets sur la machine lorsqu'elle est rangée.
- Veillez à ce que la machine soit stockée à l'abri de la lumière directe du soleil. Rangez-la à l'intérieur ou dans un endroit sûr et à l'abri du gel pendant les périodes de mauvais temps et les mois d'hiver.



# Entretien et maintenance

## Calendrier d'entretien

Effectuer correctement l'entretien régulier de votre tondeuse à gazon vous garantira des années d'utilisation sans problème. Veuillez conserver ce manuel en lieu sûr pour toute référence future. Il est recommandé de respecter le calendrier d'entretien suivant. Cela garantira que la tondeuse fonctionne correctement et qu'elle est sûre à utiliser.

	Après 12 heures	Après 24 heures	Après 36 heures
<b>Filtre à air</b>	Nettoyer	Nettoyer	Remplacer
<b>Bougie d'allumage</b>	Vérifier	Nettoyer	Remplacer
<b>Huile moteur</b>	Vérifier	Remplacer	Vérifier

## Stockage à long terme

Si vous stockez la machine pendant 30 jours ou plus, vous devez suivre les consignes appropriées de stockage et d'hivernage pour éviter tout problème éventuel avec la machine. Un stockage incorrect peut entraîner des problèmes d'alimentation en carburant ou de moteur qui ne seront pas couverts par la garantie.

Laissez le moteur refroidir complètement. 1. Videz tout le carburant du réservoir puis faites fonctionner la machine jusqu'à ce qu'elle soit complètement à court de carburant afin de vider le carburant restant des conduites et du carburateur.

2. Vidangez l'huile du moteur.

3. Suivez les instructions de nettoyage dans la section « Nettoyage ».

4. Suivez la section d'entretien et vérifiez, entretenez ou remplacez les éléments réparables si nécessaire. Inspectez visuellement la machine et remplacez ou réparez toute pièce usée. Vérifiez la lame et affûtez-la ou remplacez-la si nécessaire.

5. Lubrifiez toutes les pièces mobiles avec une huile légère en spray telle que WD40.

6. Remplissez le moteur avec de l'huile neuve SAE 30 ou 15w40, jusqu'à la marque supérieure sur la jauge.

7. Retirez la bougie d'allumage et versez une cuillère à café d'huile moteur neuve dans l'alésage du cylindre. Couvrez le trou de la bougie avec un chiffon propre et non pelucheux, en veillant à ce qu'aucune saleté ou débris ne tombe dans la chambre du cylindre, puis tirez doucement la poignée du lanceur pour enduire l'alésage du cylindre avec l'huile neuve.

Remettez la bougie d'allumage en place.

## Préparation à la réutilisation après stockage

1. Vérifiez le niveau d'huile avant utilisation.

2. Vérifiez que la bougie d'allumage est correctement installée.

3. Remplissez le moteur avec de l'essence sans plomb fraîche qui n'a pas été stockée pendant plus de 30 jours.

# Entretien et maintenance

## Nettoyage de la lame de la tondeuse

**⚠️ AVERTISSEMENT :** Si la lame et le rotor de la tondeuse restent sales et obstrués par de l'herbe, cela affectera l'efficacité de la tondeuse.

**⚠️ AVERTISSEMENT :** Du carburant peut s'échapper de la machine lors de cette opération de maintenance. Pour éviter cela complètement, videz la machine de tout carburant.

- En commençant par l'arrière de la machine, basculez la machine sur son côté droit.
- Commencez par retirer tous les gros amas d'herbe visibles collés aux bords du carter de la tondeuse, à la lame et au rotor.
- En utilisant de l'eau à la pression normale d'un tuyau d'arrosage, vous pouvez rincer toutes les zones difficiles d'accès sous la tondeuse.

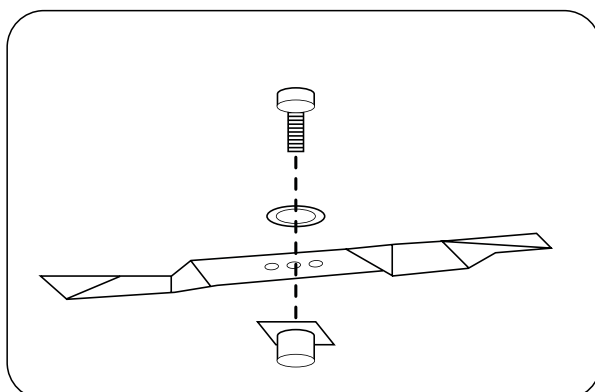
## Remplacement de la lame

**⚠️ AVERTISSEMENT :** Ne jamais retourner complètement la tondeuse lorsqu'elle est pleine d'huile et de carburant. Vous pouvez incliner légèrement la tondeuse du côté du bouchon de remplissage d'huile pour inspecter la lame. Si la lame doit être remplacée, vidangez l'huile et le carburant avant de procéder.

**⚠️ AVERTISSEMENT :** Portez des gants de protection lors de la manipulation de la tondeuse et de la lame.

**⚠️ AVERTISSEMENT :** L'affûtage et l'équilibrage de la lame doivent uniquement être effectués par du personnel qualifié et formé.

1. La lame est en acier pressé ; afin d'obtenir une bonne coupe, affûtez la lame fréquemment, généralement toutes les 25 heures de travail.
2. Après l'affûtage de la lame, vous devez vous assurer qu'elle est toujours bien équilibrée.
3. Pour retirer la lame, dévissez le boulon central, vérifiez le support de lame et tous les composants. Remplacez-les s'ils sont usés ou endommagés.
4. L'entretien des lames peut être effectué dans notre centre spécialisé disposant des outils et équipements appropriés.
5. Seules des lames d'origine doivent être utilisées sur cette machine. Compte tenu de l'évolution du produit, les lames peuvent être remplacées au fil du temps par d'autres présentant des caractéristiques similaires d'interchangeabilité et de sécurité de fonctionnement.

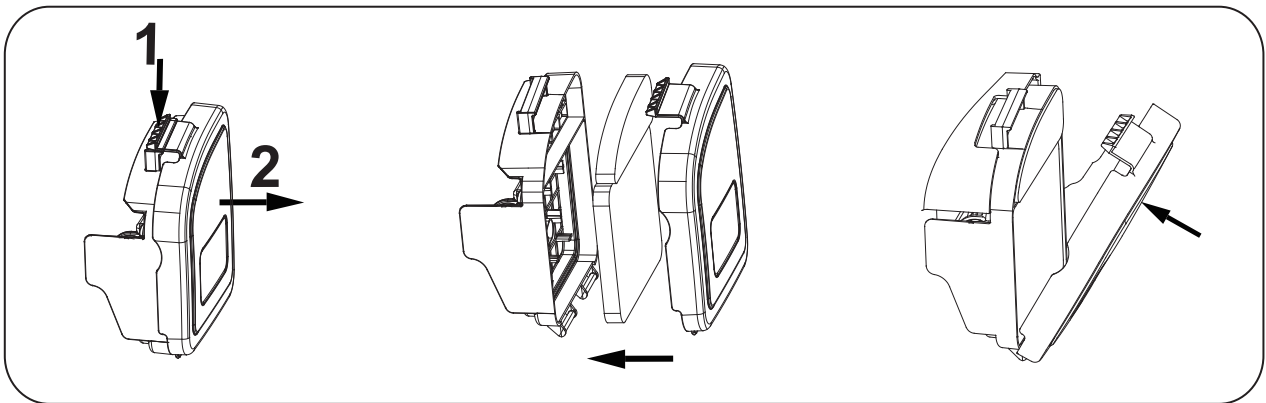


# Entretien et maintenance

## Entretien du filtre à air

**⚠ AVERTISSEMENT ! : Ne faites jamais fonctionner la machine sans filtre à air. Utiliser l'appareil sans cela peut entraîner l'aspiration de petites particules et débris dans le moteur, ce qui peut causer des dommages.**

1. Retirez le couvercle extérieur du filtre à air. Veillez à ce qu'aucune saleté ou débris ne tombe dans l'ensemble du filtre à air.
2. Séparez le filtre à air du boîtier du filtre à air.
3. Inspectez le filtre à air. Nettoyez le filtre à air sale avec de l'eau tiède et du savon doux. Laissez le filtre à air sécher complètement avant de le réinstaller. Installez l'ensemble du filtre à air sur le carburateur et fixez-le avec une vis. Remarque : N'utilisez pas d'air comprimé ni de solvants pour nettoyer le filtre. L'air comprimé peut endommager le filtre et les solvants peuvent le dissoudre.



## Changement de l'huile moteur

Inclinez la tondeuse vers le bouchon de remplissage d'huile, préparez un récipient pour recueillir l'huile et retirez la jauge.

Une fois l'huile vidangée, remettez la jauge en place et essuyez toute trace de déversement.

Remplissez avec 400 ml d'huile SAE30 ou équivalent, c'est-à-dire SAE5W/30, SAE10W/30.

Lorsque la jauge est réinsérée (sans la revisser), le niveau d'huile doit se situer entre les repères min et max sur la jauge.

Démarrez le moteur et laissez-le tourner brièvement.

Arrêtez le moteur, attendez une minute et vérifiez le niveau d'huile. complétez si nécessaire.

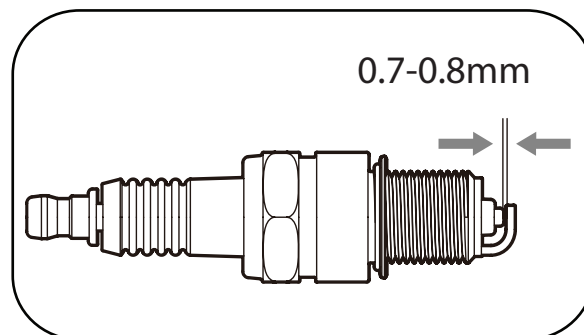
# Entretien et maintenance

## Entretien de la bougie d'allumage

Pour de bonnes performances, la bougie d'allumage doit avoir un écartement correct et être exempte de dépôts.

Vous DEVEZ laisser le moteur refroidir avant d'effectuer toute opération de maintenance.

1. Utilisez toujours la bougie d'allumage appropriée.
2. Pour vérifier la bougie d'allumage, retirez le capuchon du câble HT de la bougie et retirez la bougie d'allumage à l'aide de la clé pour bougie.
3. Retirez la bougie d'allumage à l'aide de la clé pour bougie fournie.
4. Nettoyez l'électrode de la bougie d'allumage avec une brosse métallique douce, en vous assurant qu'il n'y a aucun dommage à l'isolant ou à l'électrode.
5. L'écartement de la bougie d'allumage doit être compris entre 0,70 mm et 0,80 mm. Vérifiez l'écartement à l'aide d'une jauge d'épaisseur.



# Dépannage

**!** Les défauts qui ne peuvent pas être corrigés à l'aide du tableau suivant peuvent être réparés par un technicien qualifié (contactez notre service client pour organiser cela).  
 Veuillez noter que toute réparation inappropriée annulera également la garantie et des frais supplémentaires pourront être engagés.  
 N'utilisez que des pièces de rechange d'origine. Seules ces pièces de rechange sont conçues et adaptées au produit. L'utilisation d'autres pièces de rechange annule non seulement la garantie, mais peut également mettre en danger votre sécurité et celle de votre environnement.

Symptôme(s)	Cause(s) possible(s)	Action(s) corrective(s)
Bruit fort en fonctionnement, bruit étrange, vibrations de la machine	Les vis sont desserrées	Vérifiez et serrez les vis
	Les fixations de la lame sont desserrées	Vérifiez les fixations de la lame
	La lame est déséquilibrée	Remplacez la lame
Le moteur ne démarre pas	Levier OPC non enfoncé	Appuyez sur le levier OPC lors du démarrage
	La bougie d'allumage est défectueuse	Remplacez la bougie d'allumage
	La lame de coupe est-elle usée ou endommagée ?	Faites-la remplacer par le centre de service après-vente
	Le réservoir de carburant est vide	Faites le plein de carburant
	Le moteur peut être noyé	Retirez la bougie et séchez-la
Le moteur ne fonctionne pas correctement	Le filtre à air est sale	Nettoyez le filtre à air
	La bougie d'allumage est sale	Nettoyez la bougie d'allumage
Résultats de tonte irréguliers	La lame est émoussée	Aiguissez la lame
	La hauteur de coupe est trop basse	Réglez la hauteur appropriée selon la longueur de l'herbe
Le bac à herbe ne se remplit pas / L'herbe n'est plus collectée	La lame est usée	Remplacez la lame
	Bac à herbe plein	Videz le bac à herbe
	La pelouse/la zone de travail est mouillée	Cessez d'utiliser et laissez la pelouse/la zone de travail sécher
	Goulotte de sortie obstruée	Arrêtez la machine, laissez-la refroidir et retirez toute obstruction
	Le carter de la tondeuse est obstrué par de la saleté/des résidus de coupe	Arrêtez la machine, laissez-la refroidir et retirez tout résidu sur le carter

# Contact

## Besoin d'aide ? Parlez à nos experts

Notre équipe après-vente se fera un plaisir de vous aider



Téléphone

Appelez notre équipe au 01646 687 880



E-mail

[aftersales@hyundaipowerproducts.co.uk](mailto:aftersales@hyundaipowerproducts.co.uk)



Chat en ligne

Rendez-vous sur [www.hyundaipowerproducts.co.uk](http://www.hyundaipowerproducts.co.uk)



Adresse

Genpower Ltd, Isaac Way, Pembroke Dock, Pembrokeshire, SA72 4RW.



Site Web d'assistance Hyundai

Rendez-vous sur [hyundaisupport.co.uk](http://hyundaisupport.co.uk)

# Recyclage et élimination

## Informations DEEE



Nous ne proposons pas de programme de reprise pour la récupération des déchets d'équipements électriques et électroniques (DEEE) et des piles. La responsabilité de l'élimination des DEEE et/ou des piles vous incombe donc. Ainsi, lorsque vous devez éliminer votre appareil, vous devez l'apporter à votre déchetterie locale. Pour plus d'informations, veuillez contacter votre autorité locale afin d'obtenir des conseils sur l'élimination.

Vous DEVEZ vous assurer que toute huile et tout carburant non utilisés sont éliminés correctement, soit au préalable, soit dans votre centre de collecte local. • En AUCUN cas du carburant ou de l'huile ne doit être versé dans les canalisations.

- Certains produits contiennent des déchets DEEE qui ne doivent pas être éliminés avec vos déchets ménagers.
- Vous DEVEZ recycler les DEEE conformément aux directives de votre autorité locale ou de votre centre de recyclage.
- Certains produits contiennent des piles qui ne doivent pas être jetées avec les déchets ménagers.
- Vous DEVEZ recycler les piles conformément aux directives de votre autorité locale ou de votre centre de recyclage.
- Les emballages et matériaux indésirables doivent être stockés et apportés à un centre de recyclage afin qu'ils soient éliminés de manière respectueuse de l'environnement. Nous sommes membres du programme national de conformité VALPAK et notre numéro d'enregistrement est RM08660. Pour plus d'informations sur l'élimination des déchets, veuillez contacter votre autorité locale.

Vous pouvez également obtenir plus de conseils et d'informations sur le recyclage sur le site suivant : <http://www.recycle-more.co.uk>

Si vous cédez ce produit à un autre utilisateur, que ce soit par vente ou par prêt, vous DEVEZ lui remettre ce manuel d'utilisation. Cela garantira que tous les autres utilisateurs pourront utiliser et entretenir cette machine en toute sécurité.

## Protection de l'environnement

1. La protection de l'environnement doit être une priorité de première importance lors de l'utilisation de la machine, dans l'intérêt de la coexistence sociale et de l'environnement dans lequel nous vivons. Essayez de ne pas causer de nuisance à votre entourage.
2. Vous devez respecter les réglementations et dispositions locales concernant l'élimination des emballages, huiles, carburants, filtres, pièces endommagées ou tout élément ayant un impact important sur l'environnement. Ces déchets ne doivent pas être éliminés comme des déchets normaux. Ils doivent être triés et apportés à des centres de collecte spécifiques où ils seront recyclés.
3. Vous devez respecter les réglementations locales en matière d'élimination des déchets après la tonte.
4. Lors de l'élimination, ne polluez pas l'environnement avec la machine, mais remettez-la à un centre d'élimination, conformément aux lois locales en vigueur.

# Données techniques

## Tableau des spécifications

Modèle	HYM18150SPX
Méthode de démarrage	Lanceur à rappel avec starter automatique
Propulsion	Autopropulsée
Largeur de coupe (mm)	460
Hauteur de coupe min (mm)	25
Hauteur de coupe max (mm)	75
Positions de coupe	7
Options de coupe	Éjection latérale, ramassage arrière, éjection arrière, mulching
Volume du bac de ramassage (L)	60
Type de bac de ramassage	Moitié plastique avec sac en polyester
Type de poignée	Poignée souple
Caractéristiques de sécurité	Contrôle de présence de l'opérateur
Matériau du carter	Acier
Raccord de tuyau à nettoyage rapide	Oui
Modèle de moteur	TB1P65F
Type de moteur	Monocylindre OHV 4 temps
Cylindrée du moteur (cc)	139
Puissance (ch)	3.7
Carburant	Essence sans plomb
Capacité du réservoir (L)	1.5
Huile moteur	SAE 10W-30
Capacité d'huile moteur (ml)	600
Poids brut (kg)	36
Poids net (kg)	33
Diamètre des roues (mm)	Avant : 178, Arrière : 254
Dimensions entièrement assemblées (H x L x P) (mm)	1460*650*1040
Dimensions de l'emballage (H x L x P) (mm)	790*570*480
Source de carburant/énergie	Essence
Niveau sonore garanti LWA (dB(A))	96
Incertitude KwA (dB(A))	0.69
Valeurs du niveau de vibration (m/s <sup>2</sup> )	Gauche 3,011 / Droite 3,024 m/s <sup>2</sup>
Incertitude K (m/s <sup>2</sup> )	1.5

# Déclaration de conformité

## Importateur et représentant autorisé

Genpower Ltd  
Isaac Way, Pembroke Dock, SA72 4RW  
Pays d'origine : Chine  
Description : Tondeuse à gazon à essence autotractée de 460 mm  
Code SKU : HYM18150SPX  
Date d'émission : 01/12/2025

La présente déclaration est établie sous la seule responsabilité de Genpower Ltd.

**Nous déclarons par la présente que la machine décrite dans cette déclaration est conforme à toutes les dispositions pertinentes des directives et règlements CE suivants :**

## Réglementations et directives de conformité

- 2014/30/UE La directive sur la compatibilité électromagnétique
- 2006/42/CE Directive Machines
- 200/14/CE Émission sonore dans l'environnement par les équipements destinés à être utilisés à l'extérieur
- 2011/65/UE La directive sur la restriction des substances dangereuses
- 1907/2006 REACH CE n° 1907/2006 - SVHC
- Règlement REACH 1907/2006 (CE) n° 1907/2006 Annexe XVII
- Règlement (UE) 2016/1628 limites d'émission de polluants gazeux et particulaires pour les moteurs à combustion interne.

## Et est conforme aux exigences applicables des documents suivants :

EN ISO 14982:2009  
EN ISO 5395-1:2013+A1:2018  
EN ISO 5395-2:2013+A1:2016+A2:2017

## Déclaration

Nous, importateur et représentant autorisé du produit décrit, confirmons la conformité aux dispositions des réglementations et directives applicables énumérées dans le présent document.

## Signé au nom de Genpower Ltd

### Identification du fabricant :

Genpower Ltd, Isaac Way, Pembroke Dock, Pembrokeshire, SA72 4RW, Royaume-Uni.

### Nom et adresse du détenteur de la documentation technique et du distributeur UE :

Genpower Ltd, 131 Boulevard Pereire, 75017 Paris, France.

Lieu d'émission : Genpower Ltd

Nom du signataire : Roland Llewellyn

Poste : Directeur général

R J Llewellyn .....



# Informations utiles

## Découvrez notre chaîne YouTube

Nos vidéos sur YouTube comprennent :

- Déballage
- Assemblage de votre machine
- Comment entretenir votre machine
- Produits utilisés
- vidéos « Comment faire »
- Caractéristiques

Allez sur YouTube et recherchez « Hyundai Power Products ».

## Garantie

Une preuve d'achat vous sera demandée avant toute demande de garantie. Les conditions générales de garantie complètes sont disponibles sur le site Web de HYUNDAI POWER PRODUCTS :

[www.hyundaipowerproducts.co.uk](http://www.hyundaipowerproducts.co.uk)

## Mises à jour des manuels

Nos manuels sont constamment révisés et mis à jour. Si vous constatez une erreur, une omission ou un point peu clair, veuillez nous contacter pour obtenir de l'aide. Nous nous réservons le droit d'apporter des modifications sans préavis chaque fois que cela s'avère nécessaire.

Nos derniers manuels sont également disponibles en ligne. Tous nos manuels peuvent être téléchargés sur : [www.hyundaipowerproducts.co.uk](http://www.hyundaipowerproducts.co.uk)

## Retour de votre produit

Si vous retournez votre produit, veuillez contacter le revendeur pour connaître sa politique de retour.

## Laisser un avis

Nous mettons tout en œuvre pour offrir à tous nos clients le meilleur service possible. Si vous rencontrez des problèmes, avant de laisser un commentaire négatif, veuillez nous contacter afin de nous donner la possibilité de résoudre le problème. Nous serions ravis que vous nous laissiez un commentaire positif ! Pour laisser un avis, veuillez vous rendre sur : [uk.trustpilot.com/review/hyundaipowerequipment.co.uk](http://uk.trustpilot.com/review/hyundaipowerequipment.co.uk)

## Commander des pièces de rechange

Vous pouvez trouver la pièce de rechange que vous recherchez sur [power-spare.co.uk](http://power-spare.co.uk)

# Fiche produit

## Informations

Dès que vous avez acheté la machine, nous vous recommandons de remplir le formulaire suivant. Si vous devez contacter un revendeur agréé ou le service clientèle pour obtenir des informations sur l'entretien, vous devrez peut-être fournir les informations suivantes.

Date d'achat :.....

Nom du concessionnaire :.....

Numéro de téléphone du revendeur :.....

Numéro de modèle :.....

..

Numéro de série/lot :.....



# HYUNDAI

## POWER PRODUCTS



GENUINE PRODUCT OF  
HYUNDAI CORPORATION

Pour toute question, veuillez contacter :  
GENPOWER LTD  
Isaac Way, London Road,  
Pembroke Dock, Royaume-Uni, SA72 4RW.  
Tél. : +44 (0) 1646 687 880  
E : [info@hyundaipowerproducts.co.uk](mailto:info@hyundaipowerproducts.co.uk)  
[www.hyundaipowerproducts.co.uk](http://www.hyundaipowerproducts.co.uk)

Importé / Distribué par Genpower Ltd pour le  
Royaume-Uni et l'Irlande

Sous licence de Hyundai Corporation Holdings,  
Corée