

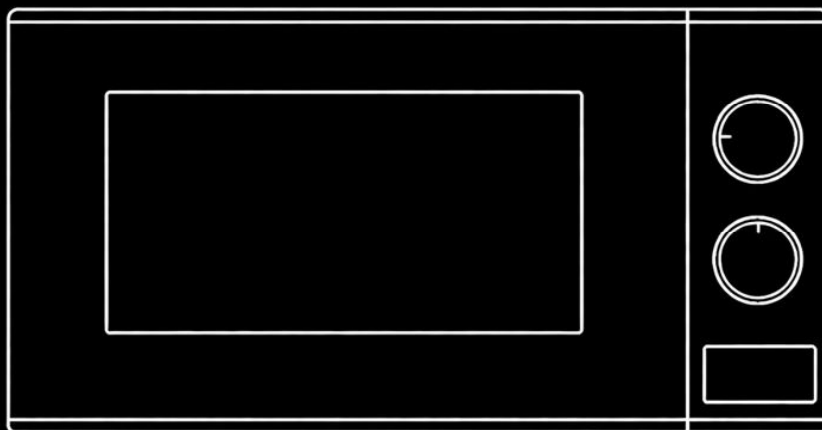
HYUNDAI
APPLIANCES

800W 20L Microwave HYMW80020MB

Instruction Manual



GENUINE PRODUCT OF
HYUNDAI CORPORATION



WARNING: Read the instructions carefully before use.

Iss: Jan/26

Contents Page

Introduction	3
Safety Information	4-11
Understand Your Machine	4
Personal Safety.....	4-5
During Use.....	5-6
Precautions to Avoid Exposure to Excessive Microwave Energy.....	6
Electricity Safety.....	7-8
Double Insulated Appliances.....	8
Residual Risks.....	9
Radio Interference.....	9
Intended Use.....	10
Symbols on the Machine.....	11
Unboxing	12
Before First Use	13
In The Box/Features	14
Cooking Utensils Guide	15
Control Panel	16
Operation	17
Cooking Instructions	17
Maintenance & Care	18-19
Cleaning.....	18
Troubleshooting.....	19
Replacement Parts/Spares Information	20
Technical Data	21
Declaration of Conformity	22
Notes	23
Useful Information	24
Product Record	25
Contact Us	26

Introduction

Thank you for buying your Hyundai Product

We work very hard to give all of our customers the best possible service. If you have any problems, before leaving negative feedback, please contact us to give us a chance to resolve the issue. We would be delighted if you left us positive feedback! Thank you for purchasing this product.

Important!



WARNING: READ THE INSTRUCTION BOOKLET THOROUGHLY BEFORE USING THE MACHINE. Keep for future reference and pass it on if the machine is loaned or sold to another user.

This manual has been produced by Hyundai Power Products and should be kept with the product. Please read and understand these instructions before you use your product. Failure to do this may result in personal injury or damage to the product.

The safety precautions and warnings are to ensure your safety and protect you from harm or damage to the product.

The information contained in this manual was accurate at the time of production, however HYUNDAI Power Products may make modifications to the product without notification.

Safety Information

Understand Your Machine

- **WARNING!** You must read these instructions carefully before operating the machine. Make sure that you are familiar with the controls and properly operate the machine. You must learn how to stop the machine quickly. If you do not follow the warnings and instructions, it may result in fire and/or serious injury. Make sure to save all warnings and instructions for future reference.
- Read this manual and labels affixed to the machine to understand its limitations and potential hazards.
- Be thoroughly familiar with the controls and their proper operation. Know how to stop the machine and disengage the controls quickly.
- If the unit is to be used by someone other than original purchaser, or is to be loaned, rented, or sold, always provide this manual and any needed safety training before operation. The user can prevent and is responsible for accidents or injuries that may occur to themselves, to other people, or to property.
- Do not force the machine beyond its limits. Use the correct machine for your application.
- Know how to stop the machine quickly in case of emergency. Understand the use of all controls.
- ALL MAINTENANCE other than that listed in this manual, should be carried out by professionally trained and certified personnel.
- When using this machine for the first time and you **MUST** read through this Instruction Manual and understand the labels affixed to the microwave.

Personal Safety/Important Safety Information

- Ensure that the main circuit voltage matches the appliance's rating before use.
- If the power cord or appliance is damaged, stop using it immediately and contact the manufacturer, an authorised service agent, or a qualified professional for assistance.
- **WARNING!** Do not let the cord hang over the edge of a table or counter. The microwave may be pulled off, which could cause serious injury, particularly to children, or result in entanglement with the user.
- **DO NOT** carry the appliance by the power cord.
- Avoid pulling the plug by the cord, as it may damage the plug or cable.
- Switch off the appliance at the wall socket and unplug it when not in use or before cleaning.
- Only use accessory attachments supplied with the product; the use of other accessories is not recommended.
- **DO NOT** use extension cords with this appliance.
- Close supervision is necessary when children are near or using the appliance.
- Children should not play with the appliance.
- This appliance can be used by children aged 8 years or older, as well as individuals with reduced physical, sensory, or mental capabilities, provided they are supervised or instructed on its safe use and understand the associated risks.
- Cleaning and maintenance should not be performed by children without supervision.

Safety Information

Personal Safety/Important Safety Information (Continued)

- Carefully read these instructions before using your HYUNDAI appliance.
- Use caution when the appliance is near pets.
- Use this product only for its intended purpose.

During Use

- **WARNING!** - Do not heat liquids or food in sealed containers, as they may explode. Always ensure a small gap is created between any container and its lid to reduce any build up of pressure.
- **DO NOT** put metal in the microwave. Metal can cause sparks and increase the risk of fire.
- **DO NOT** use recycled paper and trays. Recycled paper products can contain tiny flecks of metal that can ignite and resort to arcing.
- Be cautious when heating beverages, as microwave heating can cause delayed eruptive boiling, which may occur after the container is removed.
- Do not fry food in the microwave. Hot oil can damage the oven and utensils, and may cause burns.
- Eggs in their shell, or whole hard-boiled eggs, should not be heated in the microwave as they can explode even after heating has finished.
- Pierce foods with thick skins (e.g., potatoes, squashes, apples, chestnuts) before cooking to prevent bursting
- Stir or shake the contents of feeding bottles and baby food jars, and always check the temperature before serving to avoid burns.
- Cooking utensils can become hot due to heat transfer from food. Use potholders if necessary.
- Ensure that utensils used in the microwave are suitable for microwave use.
- **WARNING!** -Only a trained professional should perform any service or repair that requires the removal of protective covers to prevent exposure to microwave energy.
- This product is classified as Group 2, Class B ISM equipment. Group 2 includes all ISM (Industrial, Scientific, Medical) equipment that generates and/or uses radio-frequency energy for material processing. Class B equipment is intended for use in residential environments and those connected to a low-voltage power supply.
- This appliance should not be used by individuals (including children) with reduced physical, sensory, or mental capabilities, or lack of experience, unless supervised by someone responsible for their safety.
- Children should be supervised to ensure they do not play with the appliance.
- The microwave oven is designed for freestanding use only.
- **WARNING!** -Do not install the oven over a cooktop or other heat-producing appliance, as this may damage the microwave and void the warranty.
- The microwave should not be placed inside a cabinet.
- **WARNING!**-The appliance and accessible parts become hot during use.
- **WARNING!** -Accessible parts may become hot during operation. Keep young children away.
- During operation, the appliance becomes hot. Take care to avoid touching heating elements inside the oven.
- Surfaces of the microwave may become hot while in use.

Safety Information

During Use (Continued)

- The appliance should be placed against a wall.
- The appliance should not be used by children or individuals with reduced capabilities unless they are supervised.
- **WARNING!** - If the door or door seals are damaged, the microwave must not be operated until it has been repaired by a qualified technician.
- This appliance is not intended to be operated by an external timer or a separate remote-control system.
- **DO NOT** run the microwave when it is empty. The energy created will damage the microwave's components.
- The microwave oven is for household use only and is not designed for commercial applications.
- Do not remove the distance holder on the back or sides of the microwave, as it ensures proper air circulation by maintaining a minimum distance from the wall.
- Secure the turntable before moving the microwave to prevent damage
- **CAUTION!** - Only specialists should attempt repairs or maintenance involving the removal of protective covers, as this could expose them to microwave radiation. This also applies to replacing the power cord or lighting. In such cases, send the appliance to the our dedicated Aftersales team.
- The microwave is intended for defrosting, cooking, and steaming food only.
- Use oven mitts when handling heated food.
- Be cautious of escaping steam when opening lids or removing foil.
- If smoke is emitted, switch off or unplug the microwave immediately, and keep the door closed to stifle any flames.

Precautions to Avoid Exposure to Excessive Microwave Energy

- Never attempt to operate the microwave with the door open, as this can lead to harmful exposure to microwave energy. Do not tamper with or bypass the safety interlocks.
- Ensure no objects are placed between the microwave's front face and the door, and prevent dirt or cleaning residue from building up on the sealing surfaces.
- Do not use the microwave if it is damaged. It is essential that the door closes properly and that there is no damage to: a) The door (including any bending), b) Hinges or latches (broken or loose), c) Door seals and sealing surfaces.
- Only qualified service personnel should adjust or repair the microwave.

Safety Information

Electricity - Grounding Instructions

IMPORTANT: This appliance must be grounded. It is equipped with a cord that includes a grounding wire and a grounding plug. The plug must be inserted into a properly installed and grounded wall outlet.

Grounding helps reduce the risk of electric shock by providing a safe path for electrical current in the event of a short circuit.

It is recommended to use a dedicated circuit that serves only the microwave oven. Using higher voltage can be dangerous and may cause a fire or other damage to the oven.

WARNING: Improper use of the grounding plug may result in electric shock.

NOTE:

1. If you have any questions regarding grounding or electrical instructions, consult a qualified electrician or service technician.
2. The manufacturer and dealer are not liable for any damage to the oven or personal injury caused by failure to follow the electrical connection instructions.

The wiring in the mains cable follows this colour code:

- Green and Yellow = Earth
- Blue = Neutral
- Brown = Live

Electrical Safety

DANGER! ELECTRICITY CAN KILL - NEVER WORK ON LIVE/ENERGISED EQUIPMENT.



- Prior to carrying out any maintenance work you **MUST** identify electrical isolation methods and isolate all electrical supplies
- Prior to use and with all electrical supplies isolated, you **MUST** check all electrical cables, plugs and connectors for the following:
 - Are intact and have no signs of damage, to include but not limited to bare wires, chaffing, cuts and loose wiring.
 - If there are any signs of damage, the damaged item **MUST** be taken out of service until the damage has been repaired by an electrically competent person.
 - All trailing cables should be routed so as not to cause any kind of trip hazard.
 - **NEVER** work on or near electricity with wet hands, wet clothing and wet gloves.

Safety Information

Electrical Safety (Continued)

- The appliance plug must match the outlet. Never modify the plug in any way. DO NOT use any adapter plugs with earthed (grounded) appliances. Unmodified plugs and matching outlets will reduce risk of electric shock.
- DO NOT expose this appliance to rain or wet conditions. Water entering an appliance will increase the risk of electric shock. DO NOT abuse the power cord. Never use the cord for carrying, pulling or unplugging the appliance. Keep the cord away from heat, oil and sharp edges or moving parts. Damaged or entangled cords increase the risk of electric shock.
- **IMPORTANT:** Make sure that the electric circuit is fused, and that the power, voltage and frequency of the motor is supported by your mains supply. Also, make sure that your power supply is earthed. Connect your machine to earth. Never open the ON/OFF switch box. However, if it should become necessary to do so, contact a qualified electrician. Make sure that you will never touch live contacts, specifically when you plug or unplug your machine. This appliance and its power cord must never get into contact with water.
- Avoid body contact with earthed or grounded surfaces such as pipes, radiators, ranges and refrigerators. There is an increased risk of electric shock if your body is earthed or grounded.
- Do not allow any part of the machine to make contact with water while it is in operation. If the appliance becomes wet while turned off, wipe dry before starting.

Double-Insulated Appliances

In a double-insulated appliance, two systems of insulation are provided instead of grounding. No grounding means that it is already provided on a double-insulated appliance. Servicing a double-insulated appliance requires extreme care and knowledge of the system, and should be performed only by qualified service personnel. Replacement parts for a double-insulated appliance must be identical to the parts they replace.

Safety Information

Double-Insulated Appliances

WARNING! This machine produces an electromagnetic field during operation. This field may under some circumstances interfere with active or passive medical implants. To reduce the risk of serious or fatal injury, we recommend persons with medical implants to consult their physician and the medical implant manufacturer before operating this machine.

Radio Interference

NOTE: The operation of the microwave oven may cause interference with radios, televisions, or similar electronic devices. If interference occurs, you can try the following measures to reduce or eliminate it:

- Clean the microwave oven's door and sealing surfaces.
- Reorient the antenna of the affected radio or television.
- Relocate the microwave oven to a different position relative to the receiver.
- Move the microwave oven further away from the receiver.
- Plug the microwave into a different outlet to ensure the microwave and receiver are on separate circuits.

Safety Information

Intended Use

The HYMW80020MB is an 800W microwave with 20L of oven capacity from HYUNDAI. The machine is manufactured according to the latest safety requirements. Every precaution is only effective when it is followed exactly.

Intended Use

This appliance is designed to heat, cook or dry and defrost food. ALWAYS cook and defrost food according to the manufacturer's recommended instructions.

This machine is not suitable for environments with an ambient temperature in excess of 32°C

User Types

This machine is intended for use by consumers, i.e. non professional operators. The machine is intended for "DIY" and domestic use only.

Improper Use

Any other usage not in keeping with the above mentioned ones may be hazardous and harm persons and/or damage things.

Safety Information

Symbols On The Machine

We have provided safety messages in this manual and on the machine. This information alerts you to potential hazards that could hurt you or others. Please read these messages carefully. However, we may not have listed all of the possible hazards, you must also use your own judgement.

Symbol	Description	Symbol	Description
	Disposal		The UKCA (UK Conformity Assessed) marking is a UK product marking that is required for goods being placed on the market in Great Britain (England, Wales and Scotland).
	This product complies with the European directives and an evaluation method of conformity for these directives was done.		To reduce the risk of injury, the user must read and understand owner's manual before using this product.
	Do not expose to rain or use in damp conditions.		The appliance, associated components and packaging should be sorted, taken to the local recycling centre and disposed of in an environmentally safe way.

Unboxing

⚠ WARNING: Unboxing and assembling the machine should be done on a flat, surface with enough room. Disposal of the packaging should be done in accordance with the local regulations in force.

⚠ WARNING: Some of the packaging material may be harmful to children. Keep out of reach of children.

1. Carefully remove the product from the packaging and examine it for any sign of damage caused during shipping.
2. Lay the contents out and check them. If any part is damaged or missing, you must not use the machine. Contact HYUNDAI HOME APPLIANCES immediately.
3. You must keep the packaging material in case the machine needs to be returned or repaired.
4. Ensure that you have all the accessories and tools you need for assembly and operation including the suitable personal protective equipment.

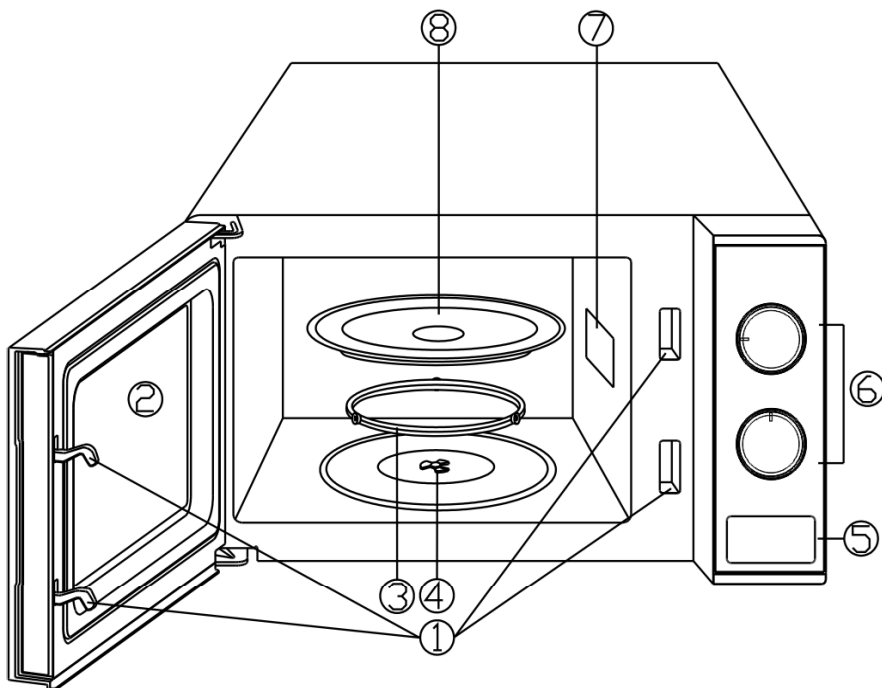
We recommend that you fill out the information in the 'Product Record' section. If you need to contact an authorised dealer or customer service, you may need to provide this information.

Before First Use

⚠ IMPORTANT: Before using your new microwave for the first time, it is important you read through the entirety of this instruction manual and adhere to the following steps:

1. Ensure all packing materials are removed from inside the door.
2. **WARNING!** Inspect the oven for any damage, such as a misaligned or bent door, damaged door seals or sealing surfaces, broken or loose hinges and latches, or dents inside the cavity or on the door. If any damage is found, do not use the oven and contact qualified service personnel.
3. Place the microwave on a flat, stable surface that can support both its weight and the heaviest food it may hold.
4. Avoid placing the oven near sources of heat, moisture, high humidity, or combustible materials.
5. To ensure proper operation, allow adequate airflow around the oven. Maintain at least 20 cm of space above, 10 cm at the back, and 5 cm on both sides. Do not block or cover any of the appliance's openings. Do not remove the feet.
6. Do not operate the oven without the glass tray, roller support, and shaft correctly positioned.
7. Ensure the power cord is intact and does not run under the oven or over hot or sharp surfaces.
8. The power socket should remain easily accessible for quick unplugging in case of an emergency.
9. Do not use the microwave outdoors.

In The Box/Features



- 1. Door Safety Lock System**
This prevents the user from accidentally opening the door during operation.
- 2. Oven Window**
- 3. Roller Ring**
This carries the weight of the glass tray and allows it to rotate.
- 4. Shaft**
This transmits power from the motor to turn the glass turntable.
- 5. Door Release Button**
Push this to open the microwave door.
- 6. Control Panel**
This allows the user to select the desired setting to operate the microwave.
- 7. Wave Guide**
This transfers and directs the microwaves to the cooking chamber.
- 8. Glass Tray**
Place your food on this in preparation to be cooked or defrosted.

Cooking Utensils Guide

⚠ IMPORTANT: It is vital that you read and understand the below before operating the microwave for the first time and/or using a cooking utensil, which you haven't used before.

⚠ IMPORTANT: Failure to comply with the guidelines set below can cause damage to the microwave, as well as putting the user and other persons close to the appliance in unnecessary danger.

- 1. Avoid Using Metal:** Microwaves cannot penetrate metal. Always use utensils that are specifically labelled as microwave-safe. Do not use metallic containers for food or beverages during microwave cooking unless the manufacturer explicitly specifies the size and shape of metallic containers that are safe for microwave use.
- 2. No Metal Utensils:** Avoid using metal utensils or dishes with metallic trims, as microwaves cannot pass through metal and may cause damage or arcing.
- 3. Recycled Paper Products:** Do not use recycled paper products when cooking in a microwave, as they may contain small metal fragments that can cause sparks or even start a fire.
- 4. Shape of Dishes:** Use round or oval dishes rather than square or oblong ones, as food tends to overcook in the corners of angular dishes.

Cookware	Microwave Cooking
Heat-Resistant Glass	Yes
Non Heat-Resistant Glass	No
Heat-Resistant Ceramics	Yes
Microwave-Safe Plastic Dish	Yes
Kitchen Paper	Yes
Metal Tray	No
Metal Rack	No
Aluminium Foil & Foil Containers	No

Control Panel

! IMPORTANT: Please ensure you become familiar with each function on the panel before using the microwave for the first time.

Control Panel Overview

The control panel features two rotary function controls: a **Power/Action Selector** and a **Timer Knob**.

Power/Action Selector

Use this knob to select the desired cooking power level. This is the first step in starting a cooking session.

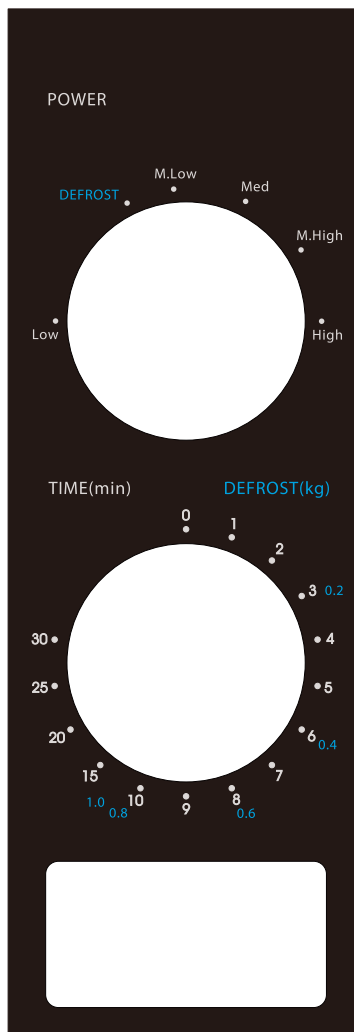
Timer Knob

The timer knob provides clear, visual time settings and allows you to easily select a cooking duration of up to **30 minutes per session** with a simple turn.

Microwave Cooking

For microwave-only cooking, six power levels are available to suit a variety of cooking needs. Turning the power knob clockwise increases the cooking power.

The power levels are classified as follows:



	Power Output	Description
1	100%	HIGH
2	88%	M.HIGH
3	73%	MED
4	52%	M.LOW
5	42%	DEFROST
6	20%	LOW

Operation


Cooking Instructions

To start a cooking session, follow the instructions below:

1. Place the food in the microwave and close the door.
2. Turn the power selector to the desired power level.
3. Use the Timer Knob to set the desired cooking time.

NOTE:

- As soon as the timer has been activated, the microwave will begin operation.
- When selecting a cooking time of less than two minutes, turn the timer knob past the two minute dial and then return to the correct time.

 **CAUTION:** Please ensure you become familiar with each function on the panel before using the microwave for the first time.

 **CAUTION:** ALWAYS RETURN TIMER BACK TO ZERO POSITION if food is removed from oven before the set cooking time is complete or when oven is not in use. To stop oven during cooking process, push the door release button or open the door by the handle.

Maintenance & Care

Cleaning

- Always turn off the oven and unplug it before cleaning.
- Keep the interior of the oven clean. Wipe up food splatters and spills from the oven walls using a damp cloth. If needed, mild detergents can be used for tougher cleaning. Avoid harsh sprays or cleaners, as they can stain or damage the door surface.
- Clean the exterior of the oven with a damp cloth. Take care not to let water seep into the ventilation openings, as this could damage the internal components.
- Regularly wipe the door, window (inside and out), door seals, and surrounding areas with a damp cloth to remove any spills. Avoid using abrasive cleaners.
- Do not use a steam cleaner on the oven.
- Keep the control panel dry. Clean it with a soft, damp cloth, and ensure the oven door is open during cleaning to prevent accidental operation.
- If steam accumulates inside or around the door, wipe it off with a soft cloth. This can happen under high humidity conditions and is normal.
- Periodically remove the glass tray for cleaning. It can be washed in warm soapy water or placed in a dishwasher.
- Clean the roller ring and oven floor regularly to prevent noise during operation. Wipe the oven floor with mild detergent, and wash the roller ring in soapy water or in a dishwasher. Ensure the roller ring is properly repositioned after cleaning.
- To remove odours, microwave a bowl of water with the juice and peel of one lemon for 5 minutes. Then, wipe the interior thoroughly and dry with a soft cloth.
- If the light bulb burns out, contact customer service for a replacement.
- Regular cleaning is essential. Failure to maintain the oven in a clean condition can cause surface deterioration, reduce the appliance's lifespan, and potentially create a hazardous situation.
- Do not dispose of this appliance in regular household waste. It should be taken to a designated disposal centre provided by local authorities.

Maintenance & Care

Troubleshooting

NOTE: Before requesting service, if the microwave fails to switch on or operate at its intended level, please check the following;

- Ensure the oven is securely plugged in. If not, unplug it, wait 10 seconds, and plug it back in firmly.
- Check if a circuit fuse has blown or if the main circuit breaker has tripped. If both seem to be functioning properly, test the outlet by plugging in another appliance.

Replacement Parts/Spares Information

POWER SPARES



No Hassle Returns



Same Day Dispatch*



Over 10,000 Spare Parts



QR Code - Scan the QR code for a direct link to our website

Our Website : power-spares.co.uk

Call us : 01 646 404406

Email us : sales@power-spares.co.uk

To maintain your machine in peak operating condition, proper maintenance and care are crucial. Some machines have consumable parts that will need replacement to ensure they continue operating at their full potential. PowerSpares provide manufacturer parts for all your machines, ensuring they remain in peak condition.

About Power Spares

Power-Spares has your back if you damage your lawn mower blade, find your spark plugs not sparking, or snap your recoil. Power-Spares operates under the trading name of Genpower Limited.

As part of the Genpower family, Power-Spares offers you the expertise, efficiency, and quality assurance of a large organisation. We leverage the latest warehousing, distribution, customer service, and inventory management technology to ensure you receive your parts as quickly as possible.

With extensive stock-holding of spare parts in our UK warehouses, Power-Spares is ready to assist you promptly when your machine needs repair. We're Committed to help you get back up and running as quickly as possible.

Technical Data

Specification

Model	HYMW80020MB
Power Consumption	230-240V~50Hz/1200W Microwave
Output	800W
Operation Frequency	2450MHz
Outer Dimensions (H x W x D)	267 x 465 x 340mm
Oven Capacity Dimensions (H x W x D)	178 x 315 x 296mm
Oven Capacity	20L
Net Weight	11.2kg
Off Mode	<0.3W

NOTE: The period after which the equipment reaches automatically off mode is 0 minutes.

Declaration of Conformity

Importer and Authorised Representative

Genpower Ltd
Isaac Way, Pembroke Dock, SA72 4RW

Country of Origin: China
Description: 800W 20L Microwave
SKU Code: HYMW80020MB
Date of Issue: 01/12/2025

The following declaration is issued under the sole responsibility of Genpower Ltd.

We hereby declare that the machine detailed in this declaration complies to all the relevant provisions of the following EC directives and regulations.

Regulations and Directives of Compliance

- 2014/35/EU Low Voltage Directive
- 2014/30/EU Electromagnetic Compatibility Directive
- 2009/125/EC Eco-design Requirements
- 2011/65/EU RoHS
- 1907 /2006 REACH Annex XVII & SVHC as amended by EU 2022/2400

REFERENCES TO THE RELEVANT HARMONISED SAFETY STANDARDS USED OR REFERENCES TO THE OTHER TECHNICAL SPECIFICATIONS IN RELATION TO WHICH CONFORMITY IS DECLARED:

- EN 60335-1 :2012+A11 +A 13+A1+A14+A2+A15 EN IEC 60335-2-25:2021 +A 11
- EN 62233:2008
- EN 55011 :2011 6+A 1 +A 11 +A2
- EN IEC 55014-2:2021
- EN IEC 61000-3-2:2011 9+A 1
- EN 61000-3-3:2013+A 1 +A2

Statement of Declaration

We the importer and authorised representative of the product described confirm conformity within the provisions of applicable regulations and directives listed within this document.

Signed on Behalf of Genpower Ltd

Identification of Manufacturer: Genpower Ltd, Isaac Way, Pembroke Dock, Pembrokeshire, SA72 4RW, UK.

Name and address of technical documentation holder and EU distributor: Genpower Ltd, 131 Boulevard Pereire, 75017 Paris, France.

Place of Issue: Genpower Ltd
Signatory Name: Roland Llewellyn
Position: Managing Director

R J Llewellyn



Useful Information

Check Out Our YouTube Channel

Our videos on YouTube include:

- Unboxing
- Assembly of your machine
- How to service your machine
- Products in use
- 'How To' videos
- Product features

Go to YouTube and search '**Hyundai Power Products**'.

Warranty

Proof of purchase will be required before you make a warranty claim. Full warranty terms and conditions can be found on the HYUNDAI POWER PRODUCTS website:
www.hyundaipowerproducts.co.uk

Manual Updates

Our manuals are constantly being reviewed and updated. Should you find an error, omission or something unclear, please contact us for assistance. We reserve the right to make any modifications without prior notice whenever necessary. Our latest manuals are also placed online. All our manuals can be downloaded at:
www.hyundaipowerproducts.co.uk

Returning Your Product

If you are returning your product, please contact the dealer for their returns policy

Leaving A Review

We work very hard to give all of our customers the best possible service. If you have any problems, before leaving negative feedback, please contact us to give us a chance to resolve the issue. We would be delighted if you left us positive feedback! To leave a review, please go to:

uk.trustpilot.com/review/hyundaipowerequipment.co.uk

Ordering Spare Parts

You can find the spare part you are looking for at **power-spare.co.uk**

Product Record

Information

As soon as you have purchased the machine, we recommend that you fill out the following. If you need to contact an authorised dealer or customer service for information on servicing, you may need to provide the following information.

Date Of Purchase:

Dealer Name:

Dealer Phone:

Model Number:

Serial/Batch Number:

Contact Us

Need Help? Talk To Our Experts

Our friendly aftersales team will be more than happy to help you.



Phone

Call our team on 01646 687 880



Email

aftersales@hyundaipowerproducts.co.uk



Online Live Chat

Go to www.hyundaipowerproducts.co.uk



Post

Genpower Ltd, Isaac Way, Pembroke Dock, Pembrokeshire, SA72 4RW.



Hyundai Support Website

Go to hyundaisupport.co.uk

HYUNDAI
APPLIANCES



GENUINE PRODUCT OF
HYUNDAI CORPORATION

For Inquiries, Please Contact:
GENPOWER LTD
Isaac Way, London Road,
Pembroke Dock, UK, SA72 4RW.
T: +44 (0) 1646 687 880
E: info@hyundaipowerproducts.co.uk
www.hyundaipowerproducts.co.uk

Imported / Distributed by Genpower Ltd for
the United Kingdom & Ireland

Licensed by Hyundai Corporation Holdings, Korea